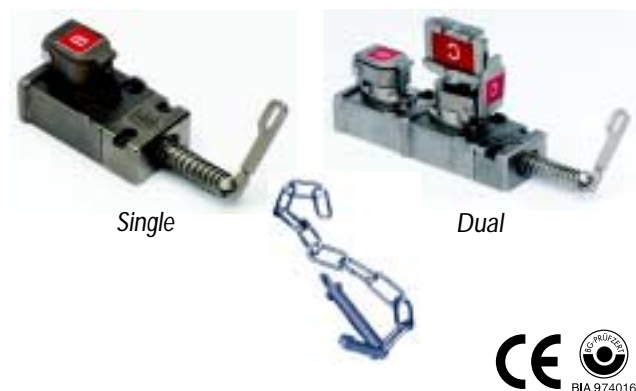


Prosafe Trapped Key Interlock Switches

Access/Chain Interlocks



Description

The access interlocks are designed to allow access to hazardous areas when an appropriate key is inserted into the interlock. These access interlocks are manufactured in 316L stainless steel to provide rugged, industrial grade method of helping prevent access through gates. They are actuated by either a lever or a rod which is connected to chain.

One advantage of the access interlocks is that there is no need to run power wires to the gate. Power is disconnected by a trapped key rotary switch on a control panel and the key is then hand-carried to the gate by the operator.

The Single key Access interlock (SAL) and Single-key Chain lock (SCL) are designed to be used to access hazardous areas where partial body exposure is required. If two keys are needed for partial body access, select the dual-key access interlock (DAL) or dual-key chain lock (DCL) with both keys trapped.

When whole body access is needed, the DAL or DCL, with one key trapped and one key free should be used. The secondary key serves the function of a personnel key. The DAL and DCL allow the operator to carry the personnel key into the hazardous area. When the operator returns from the hazardous area and returns the personnel key to the DAL or DCL, the locking sequence can be reversed and the process restarted.

Features

- 316L Stainless steel construction
- Single and dual key units
- Direct drive operation
- Fitted with tamper resistant screws
- Stainless steel dust cap as standard
- Replaceable code barrel assembly

The Prosafe Advantage



Stainless steel construction.

Specifications

Standards	EN292-1&2, EN1088, ISO12100-1&2, ISO14119, AS4024.1	
Category	Cat. 1 per EN 954-1 (ISO 13849-1) Suitable for Cat. 2, 3, or 4 systems	
Approvals	BG, CE marked for all applicable directives, and C-Tick not required	
Misalignment	+/-10mm (0.39in)	
Max. Shear Force to Key	15.1kN (3398lbs)	
Max. Torque to Key	14Nm (124lb•in)	
Operating Temperature	-40°C to +200°C (-40°F to +392°F)	
Humidity	95% RH	
Material	316L stainless steel	
Mounting	SAL and SCL	2 or 4 x M5 Counterbored from Top or 2 or 4 x M5 from Underside with Nuts
	DAL and DCL	4 or 6 x M5 Counterbored from Top or 4 or 6 x M5 from Underside with Nuts
Weight	SAL and SCL	0.8kg (1.8lbs)
	DAL and DCL	1.35kg (3lbs)
Mechanical Life	100,000	

Prosafe Trapped Key Interlock Switches Access/Chain Interlocks

Product Selection

Operation	Actuator	Key Condition	Catalogue Number
Single Key	Lever	Key trapped to release lever	440T-MSALE10①
	Chain	Key trapped to release chain	440T-MSCLE10①
Dual Key	Lever	Primary key trapped, secondary key free to release lever	440T-MDALE10①②
		Both keys trapped to release lever	440T-MDALE11①①
	Chain	Primary key trapped, secondary key free to release chain	440T-MDCLE10①②
		Both keys trapped to release chain	440T-MDCLE11①①

① Substitute the desired primary code for this symbol (key not included). See page 5-6 for code selection.

② Substitute the desired secondary code for this symbol (key included). See page 5-6 for code selection.

Accessories

Description	Page Number	Catalogue Number
Replacement Key	5-33	440T-AKEYE10⊗
Replacement Code Barrel		440T-ASCBE14①
Replacement Dust Cap		440T-ASFC10⊗
Replacement Spare Block Catch	—	440T-ACAD10
Replacement Spare Chain Catch	—	440T-ACHA10

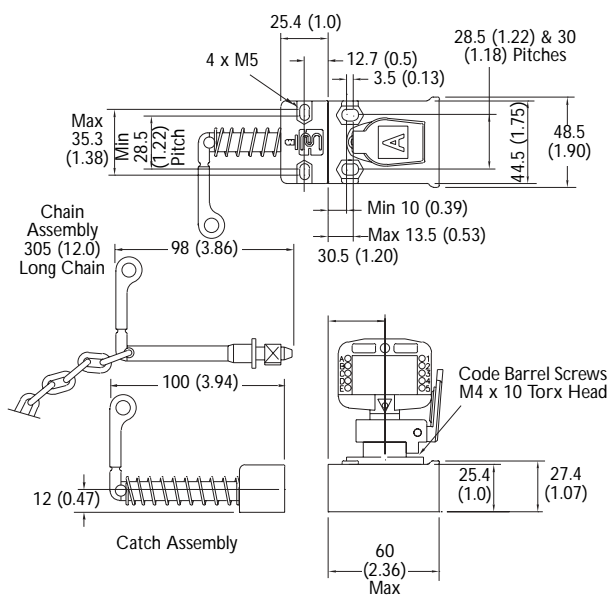
① Substitute the desired primary code for this symbol (key not included). See page 5-6 for code selection.

⊗ Substitute the desired code for this symbol. See page 5-6 for code selection.

Approximate Dimensions

Dimensions are not intended to be used for installation purposes.

Single Key Access Interlock



Dual Key Access Interlock

