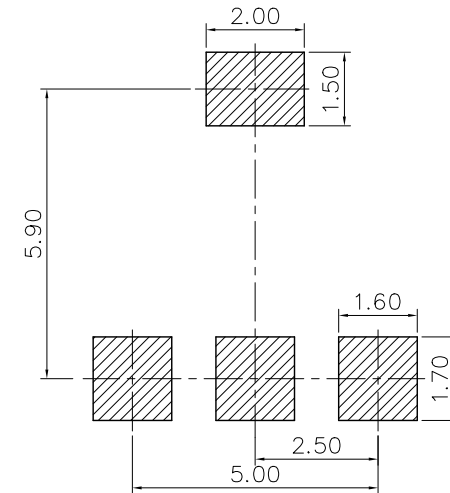


NOTE(1):

250117MA003□□00ZL

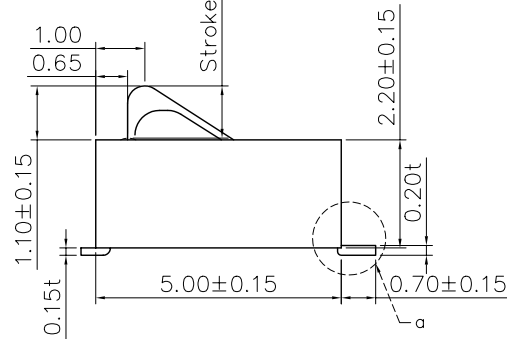
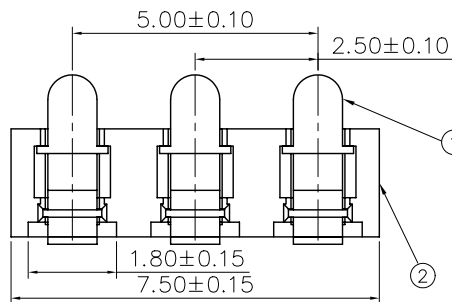
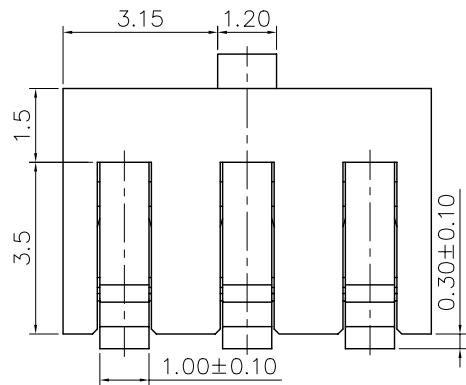
- No. of pins.
- Selective plating  
'G1,-05u" Min. gold in contact area/  
100u" Min. Tin in solder area.  
'G2,-Gold flash in contact area/  
100u" Min. Tin in solder area.  
'G3,-10u" Min. gold in contact area/  
100u" Min. Tin in solder area.  
'G4,-15u" Min. gold in contact area/  
100u" Min. Tin in solder area.  
'G5,-30u" Min. gold in contact area/  
100u" Min. Tin in solder area.

Recommended P.C.B Layout(Component Side)

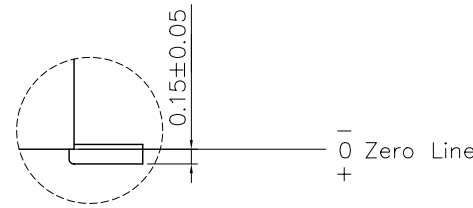
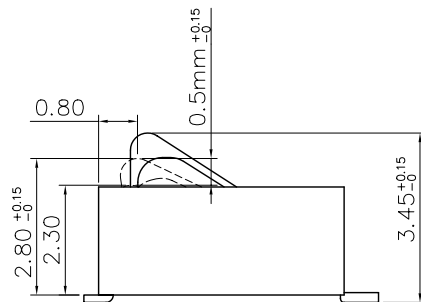
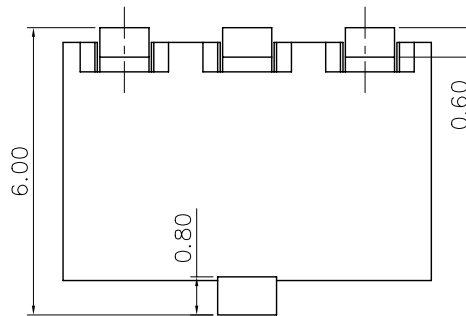


SPECIFICATION:

- Plastic Material: high temp. Plastic , UL 94V-0 black
- Terminal Material : Phosphor Bronze.
- Plating :Min 30u" Gold over 50u" Nickel.
- Max.Current Rating : 3A
- Voltage Rating : 50V AC
- Dielectric Strength: AC 500V for 1 minute.
- Max.Processing Temp : 230°C for 30Sec
- Contact force of min1N(100g)/max(200g) per contact in the deflection range of 2.8m/m to 2.3m/m
- ◇ CPK Dimension Measure Point.



Normal Force must greater than 1N(100g)/perpin in this range



Coplanarity For all Solder Tail

A SCALE (16:1)

4				
3				
2	TERMINAL	C5191H	Gold plated	
1	HOUSING	LCP	Black	UL 94V-0
NO.	DESCRIPTION	MATERIAL	COLOR	REMARK

**SUYIN**  
CONNECTOR

CUSTOMER COPY TITLE: 2.5mm Pitch Battery

ECN-020422-11	D	03/04/22	D1: ADD NEW P/N	李碧華	宋權哲	Angle 30 ~ 30	±2°	DRAW	張志璋	01/03/31	PART NO.	250117MA003GX00ZL
EC1T-011119-09	C	01/11/19	更換新圖框	李儒平	宋權哲	10 ~ 10	±0.50	DESIGN	張志璋	01/03/31	PART NO. (OLD)	BA017AR-03GX
ECN-T010519-09	B	01/11/01	CHANGE NOTE	楊久德	宋權哲	~ 10	±0.30	CHECK	宋權哲	01/03/31	DRAWING NO.	250117MA003GX00ZL
ECN (DCN) NO.	A		NOTE				±0.15	APPRO.	宋權哲	01/03/31	SCALE	8:1
	REV	DATE	DESCRIPTION	CHANGE	APPRO.	GENERAL TOLERANCE UNLESS OTHERWISE NOTED		APPRO.	宋權哲	01/03/31	UNIT	mm
											A4	☉