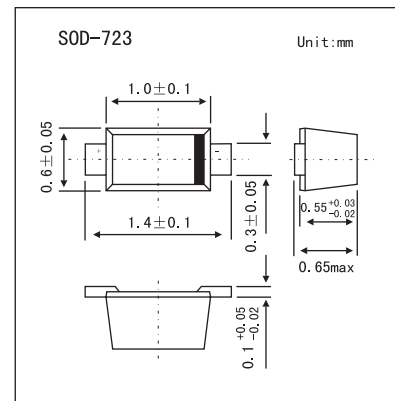


Zener Diodes

VDZ Series

■ Features

- Ultra Small mold type.
- High reliability.



■ Absolute Maximum Ratings (Ta = 25°C)

| Parameter | Symbol | Rating | Unit |
|-----------------------|------------------|-------------|------|
| Power dissipation | P | 100 | mW |
| Junction temperature | T _j | 150 | °C |
| Storage temperature | T _{stg} | -55 to +150 | °C |
| Operating temperature | T _{opr} | -55 to +150 | °C |

■ Electrical Characteristics (Ta = 25°C)

| Type | Marking | Zener voltage V _z (V) | | | Operating resistance Z _z (Ω) | | Rising operating resistance Z _{zk} (Ω) | | Reverse current I _R (μA) | |
|---------|---------|-------------------------------------|-------|---------------------|--|---------------------|---|---------------------|--|--------------------|
| | | Min. | Max. | I _z (mA) | Max. | I _z (mA) | Max. | I _z (mA) | Max. | V _R (V) |
| VDZ3.6B | 62 | 3.600 | 3.845 | 5.0 | 100 | 5.0 | 1000 | 1 | 10 | 1.0 |
| VDZ3.9B | 72 | 3.89 | 4.16 | 5.0 | 100 | 5.0 | 1000 | 1 | 5 | 1.0 |
| VDZ4.3B | 82 | 4.17 | 4.43 | 5.0 | 100 | 5.0 | 1000 | 1 | 5 | 1.0 |
| VDZ4.7B | 92 | 4.55 | 4.75 | 5.0 | 100 | 5.0 | 800 | 0.5 | 2.0 | 1.0 |
| VDZ5.1B | A2 | 4.98 | 5.20 | 5.0 | 80 | 5.0 | 500 | 0.5 | 2.0 | 1.5 |
| VDZ5.6B | C2 | 5.49 | 5.73 | 5.0 | 60 | 5.0 | 200 | 0.5 | 1.0 | 2.5 |
| VDZ6.2B | E2 | 6.06 | 6.33 | 5.0 | 60 | 5.0 | 100 | 0.5 | 1.0 | 3.0 |
| VDZ6.8B | F2 | 6.65 | 6.93 | 5.0 | 40 | 5.0 | 60 | 0.5 | 0.5 | 3.5 |
| VDZ7.5B | H2 | 7.28 | 7.60 | 5.0 | 30 | 5.0 | 60 | 0.5 | 0.5 | 4.0 |
| VDZ8.2B | J2 | 8.02 | 8.36 | 5.0 | 30 | 5.0 | 60 | 0.5 | 0.5 | 5.0 |
| VDZ9.1B | L2 | 8.85 | 9.23 | 5.0 | 30 | 5.0 | 60 | 0.5 | 0.5 | 6.0 |
| VDZ10B | 05 | 9.77 | 10.21 | 5.0 | 30 | 5.0 | 60 | 0.5 | 0.1 | 7.0 |

VDZ Series

| Type | Marking | Zener voltage V _Z (V) | | | Operating resistance Z _Z (Ω) | | Rising operating resistance Z _{ZK} (Ω) | | Reverse current I _R (μA) | |
|--------|---------|-------------------------------------|-------|---------------------|--|---------------------|--|---------------------|--|--------------------|
| | | Min. | Max. | I _Z (mA) | Max. | I _Z (mA) | Max. | I _Z (mA) | Max. | V _R (V) |
| VDZ11B | 15 | 10.76 | 11.22 | 5.0 | 30 | 5.0 | 60 | 0.5 | 0.1 | 8.0 |
| VDZ12B | 25 | 11.74 | 12.24 | 5.0 | 30 | 5.0 | 80 | 0.5 | 0.1 | 9.0 |
| VDZ13B | 35 | 12.91 | 13.49 | 5.0 | 37 | 5.0 | 80 | 0.5 | 0.1 | 10 |
| VDZ15B | 45 | 14.34 | 14.98 | 5.0 | 42 | 5.0 | 80 | 0.5 | 0.1 | 11 |
| VDZ16B | 55 | 15.85 | 16.51 | 5.0 | 50 | 5.0 | 80 | 0.5 | 0.1 | 12 |
| VDZ18B | 65 | 17.56 | 18.35 | 2.0 | 65 | 2.0 | 80 | 0.5 | 0.1 | 13 |
| VDZ20B | 75 | 19.52 | 20.39 | 2.0 | 85 | 2.0 | 100 | 0.5 | 0.1 | 15 |
| VDZ22B | 85 | 21.54 | 22.47 | 2.0 | 100 | 2.0 | 100 | 0.5 | 0.1 | 17 |
| VDZ24B | 95 | 23.72 | 24.78 | 2.0 | 120 | 2.0 | 120 | 0.5 | 0.1 | 19 |
| VDZ27B | A5 | 26.19 | 27.53 | 2.0 | 150 | 2.0 | 150 | 0.5 | 0.1 | 21 |
| VDZ30B | C5 | 29.19 | 30.69 | 2.0 | 200 | 2.0 | 200 | 0.5 | 0.1 | 23 |
| VDZ33B | E5 | 32.15 | 33.79 | 2.0 | 250 | 2.0 | 250 | 0.5 | 0.1 | 25 |
| VDZ36B | F5 | 35.07 | 36.87 | 2.0 | 300 | 2.0 | 300 | 0.5 | 0.1 | 27 |