



TAI-SAW TECHNOLOGY CO., LTD.

No. 3, Industrial 2nd Rd., Ping-Chen Industrial District,
Taoyuan, 324, Taiwan, R.O.C.

TEL: 886-3-4690038 FAX: 886-3-4697532

E-mail: tstsales@mail.taisaw.com Web: www.taisaw.com

Approval Sheet For Product Specification

Issued Date: Nov, 12, 2007

Product Name: SAW Filter 2580 MHz SMD 3.0X3.0 mm

TST Parts No.: TA0759A

Customer Parts No.: _____

| |
|---------------------|
| Company: _____ |
| Division: _____ |
| Approved by : _____ |
| Date: _____ |

Checked by: _____ Bob Chau

Approval by: _____ Francis Chen

Date: _____ 11, 12, 2007



TAI-SAW TECHNOLOGY CO., LTD.

No. 3, Industrial 2nd Rd., Ping-Chen Industrial District,
Taoyuan, 324, Taiwan, R.O.C.

TEL: 886-3-4690038 FAX: 886-3-4697532

E-mail: tstsales@mail.taisaw.com Web: www.taisaw.com

SAW Filter 2580 MHz

MODEL NO.:TA0759A

REV. NO.:1

A. MAXIMUM RATING:

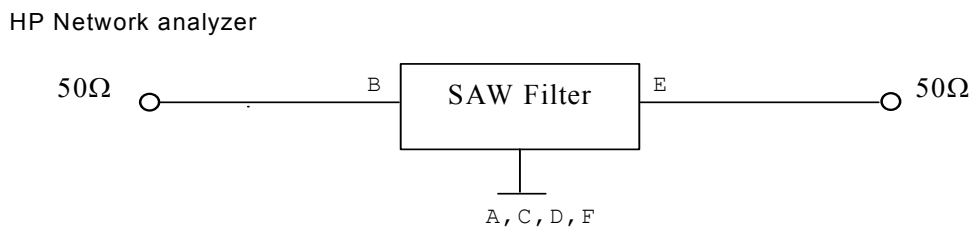
1. Input Power Level: 10 dBm
2. DC Voltage : 3V
3. Operating Temperature: -30°C to +85°C
4. Storage Temperature: -40°C to +95°C

RoHS Compliant
Lead free
Lead-free soldering

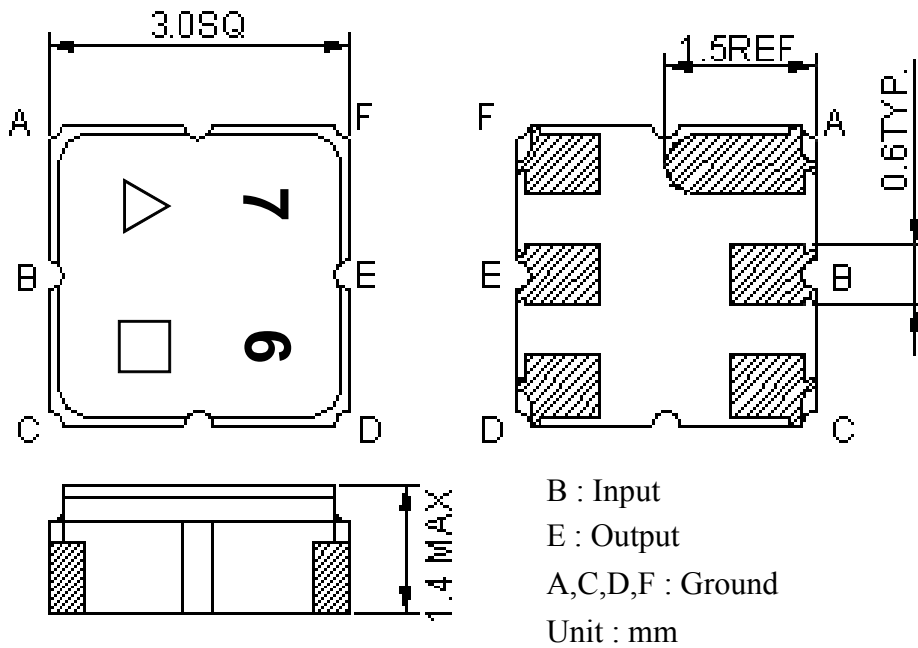
B. ELECTRICAL CHARACTERISTICS:

| Item | Unit | Min. | Type. | Max. | Note |
|------------------------------------------------|------|------|-------|------|------|
| Center Frequency Fc | MHz | - | 2580 | - | - |
| Insertion Loss (2565 ~ 2595 MHz) IL | dB | - | 2.9 | 3.5 | - |
| Amplitude Ripple (2565 ~ 2595 MHz) | dB | - | 1 | 2.2 | - |
| Return Loss (2565 ~ 2595 MHz) | dB | 9 | 15 | - | - |
| Attenuation (Reference level from 0 dB) | | | | | |
| 2100 ~ 2450 MHz | dB | 35 | 45 | - | - |
| 2680 ~ 2840 MHz | dB | 40 | 55 | - | - |
| 2840 ~ 3000 MHz | dB | 35 | 50 | - | - |

C. MEASUREMENT CIRCUIT:



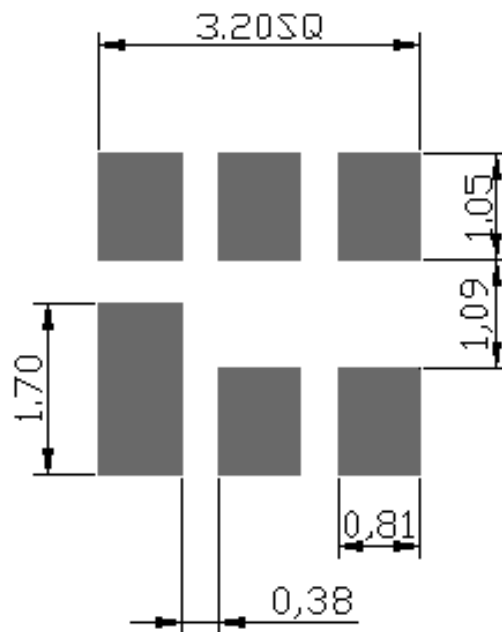
D.OUTLINE DRAWING:



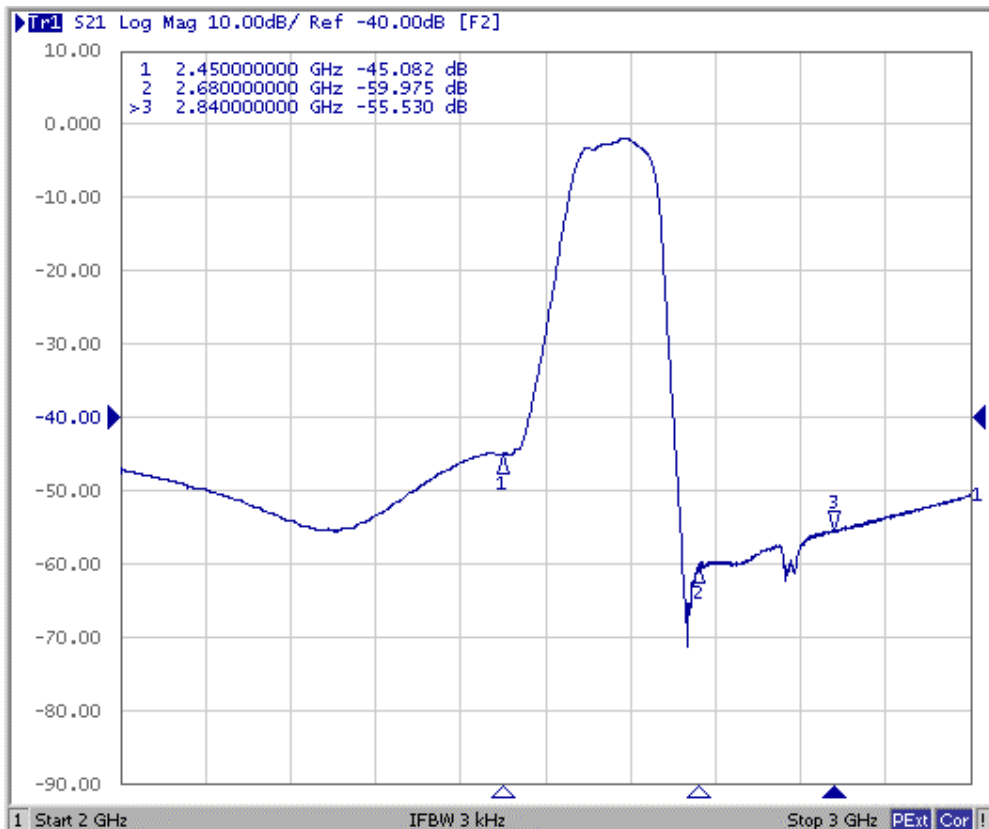
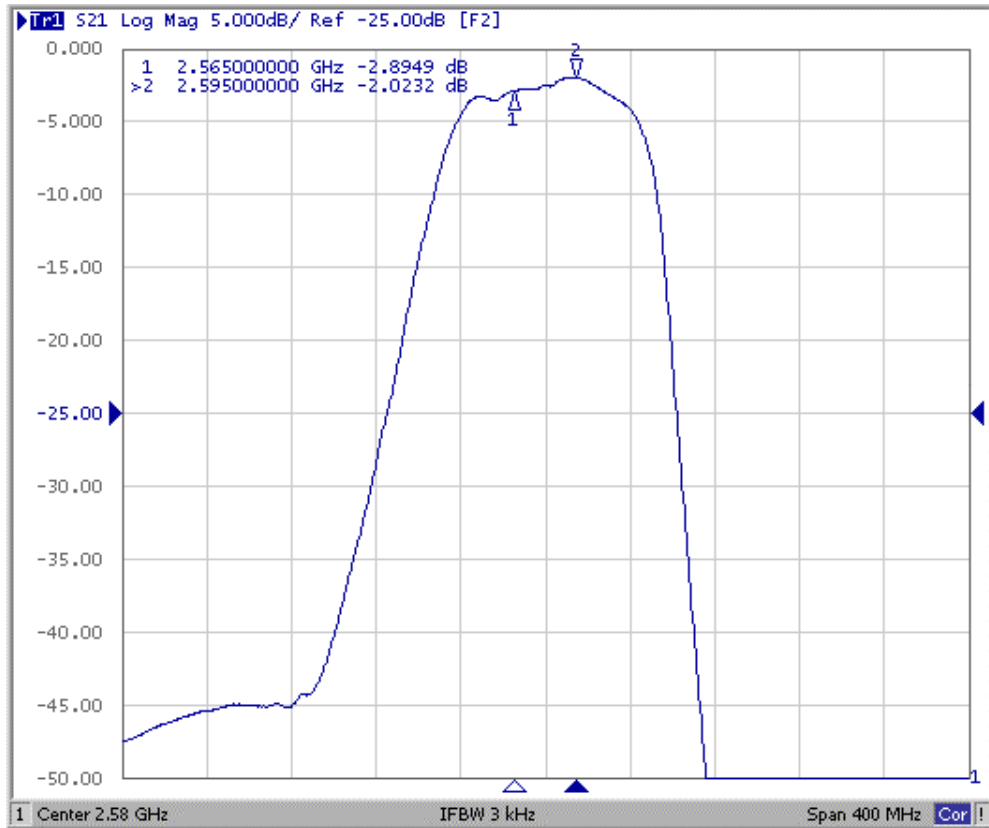
△ : Year Code (2006->6, ..., 2009->9)

□ : Date Code (Follow the table from planner each year)

E. PCB Footprint:

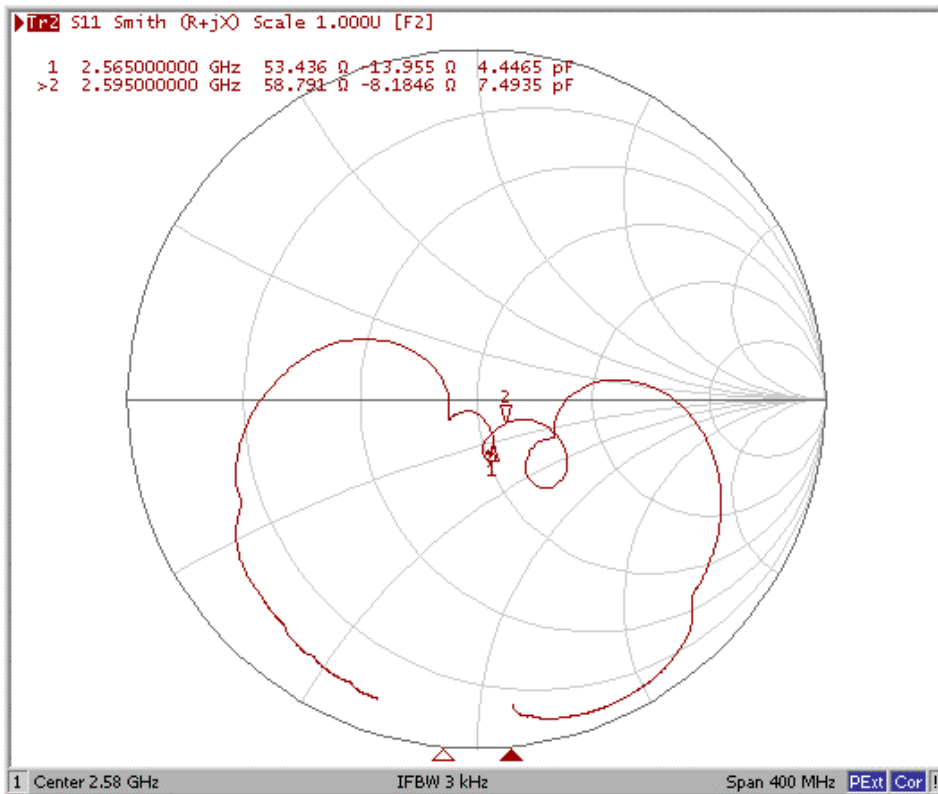
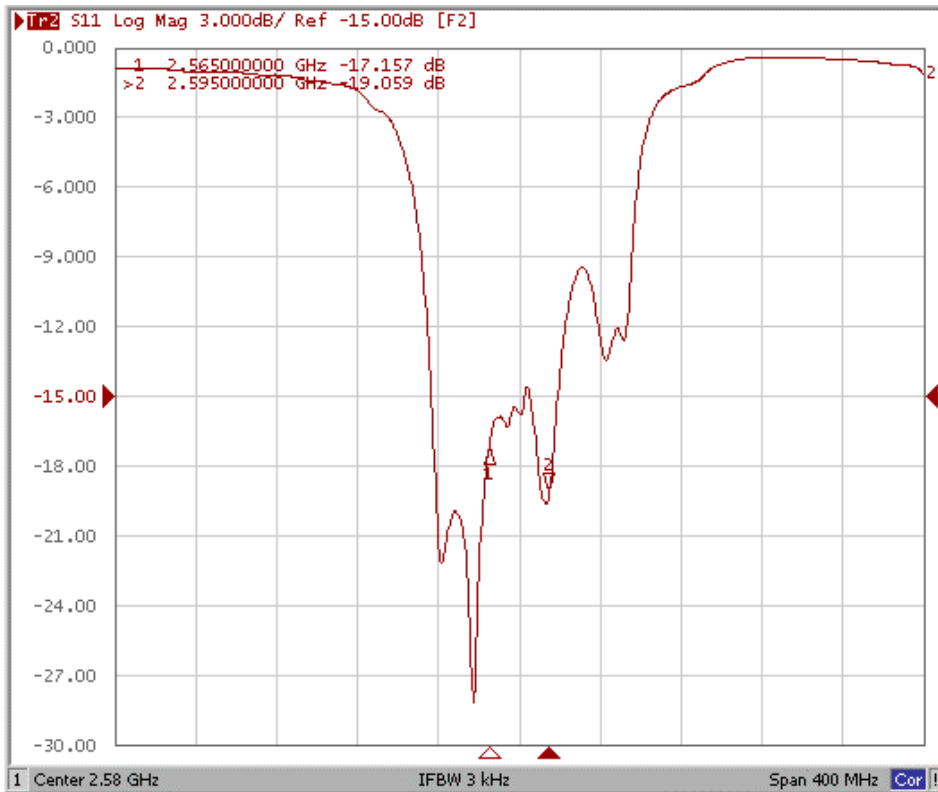


F. Frequency Characteristics :

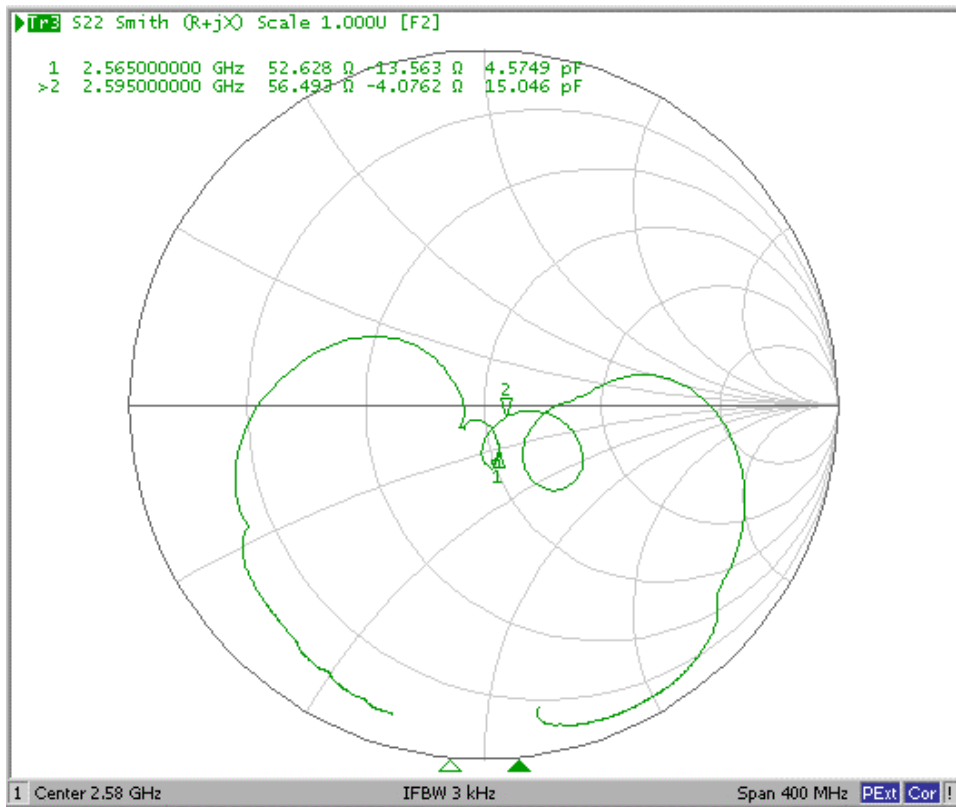
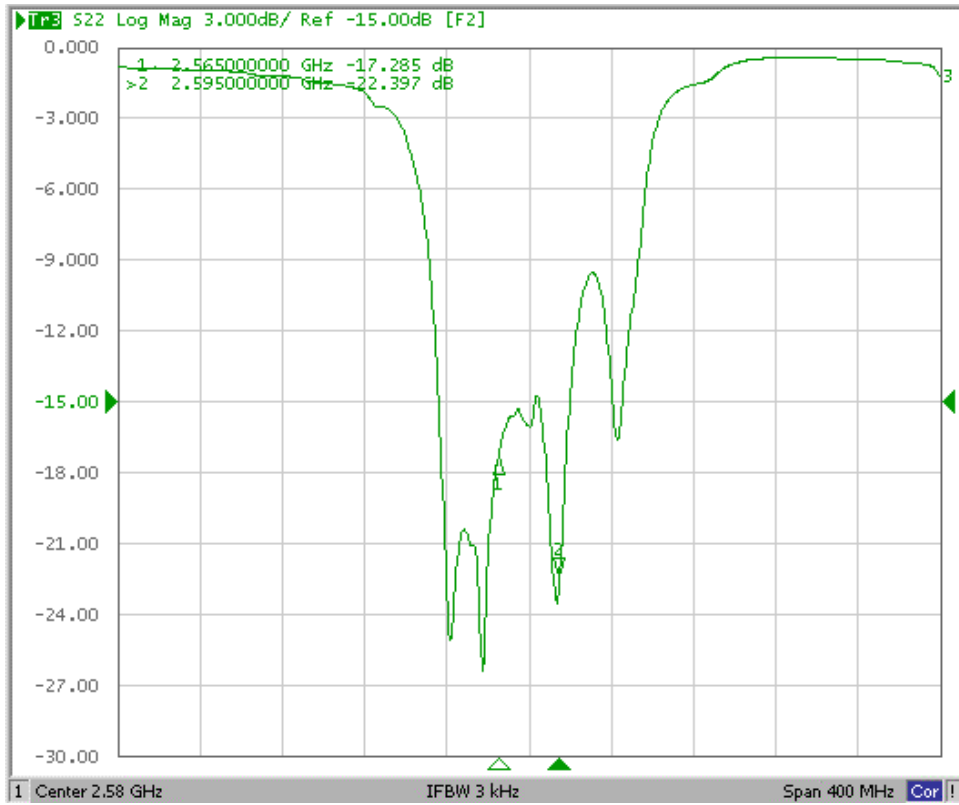


Reflection Functions :

S11



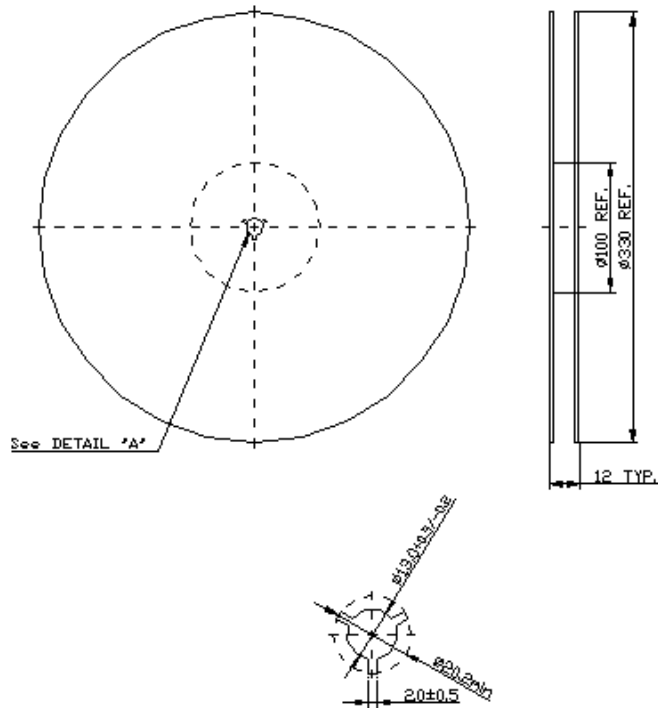
S22



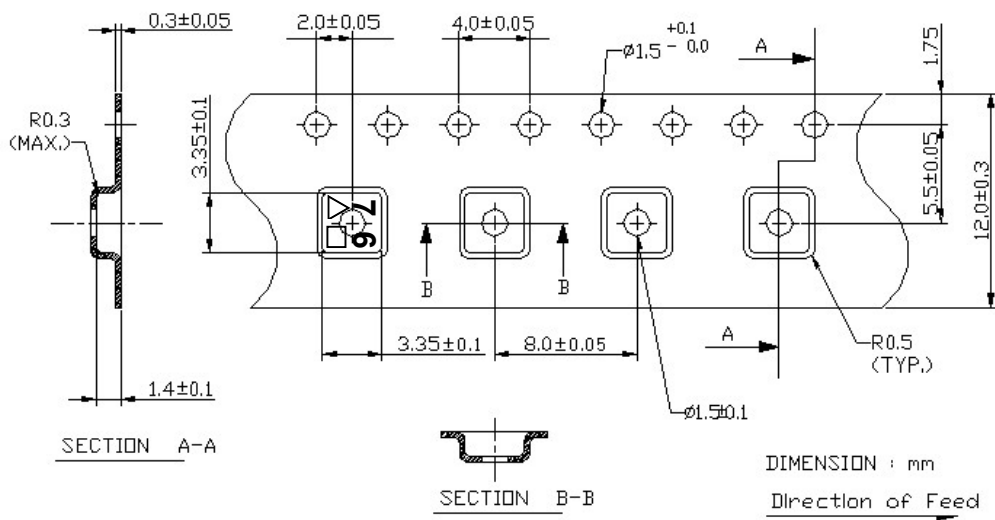
G. PACKING:

1. REEL DIMENSION

(Reel Count : 7''=1000 ; 13''=3000)



2. TAPE DIMENSION



H. RECOMMENDED REFLOW PROFILE :

