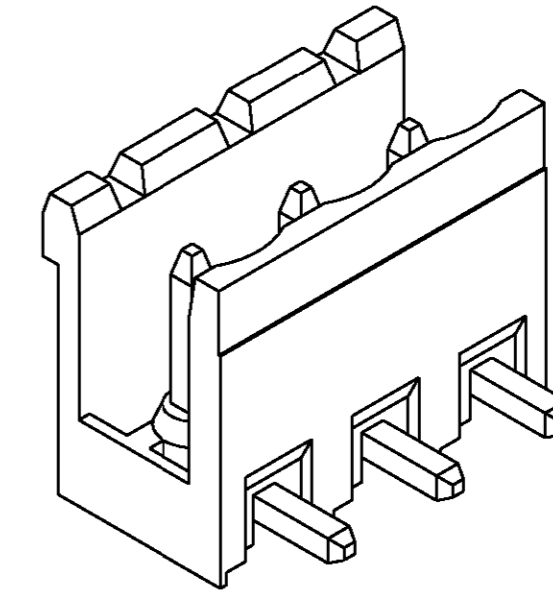
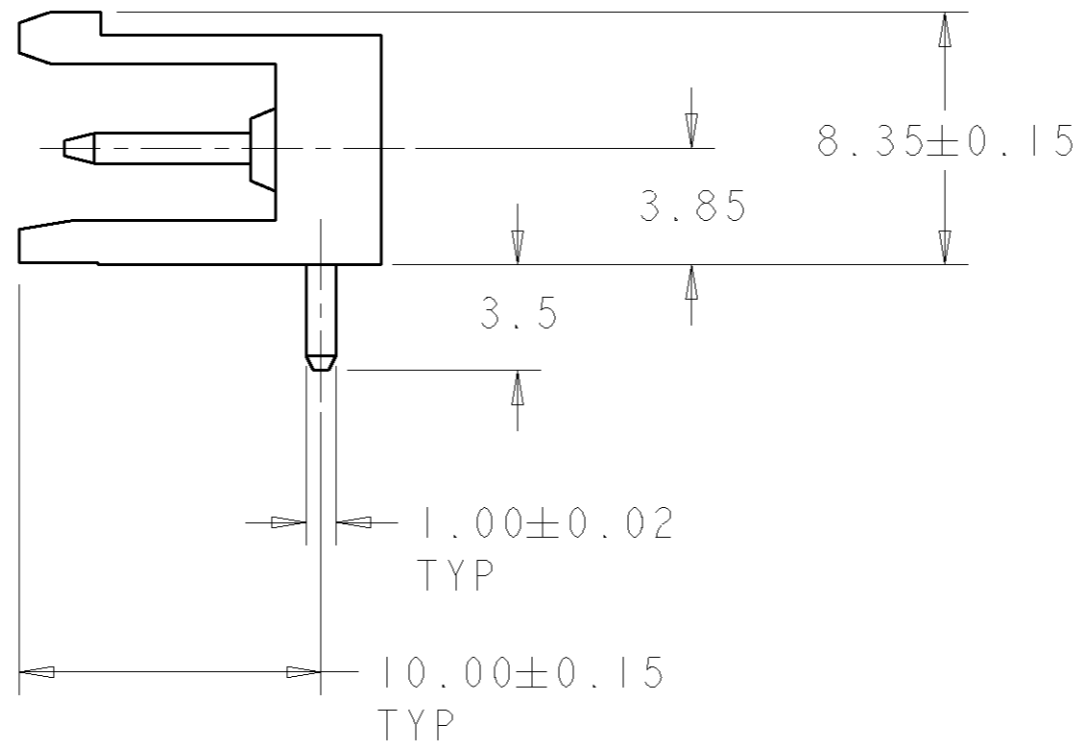
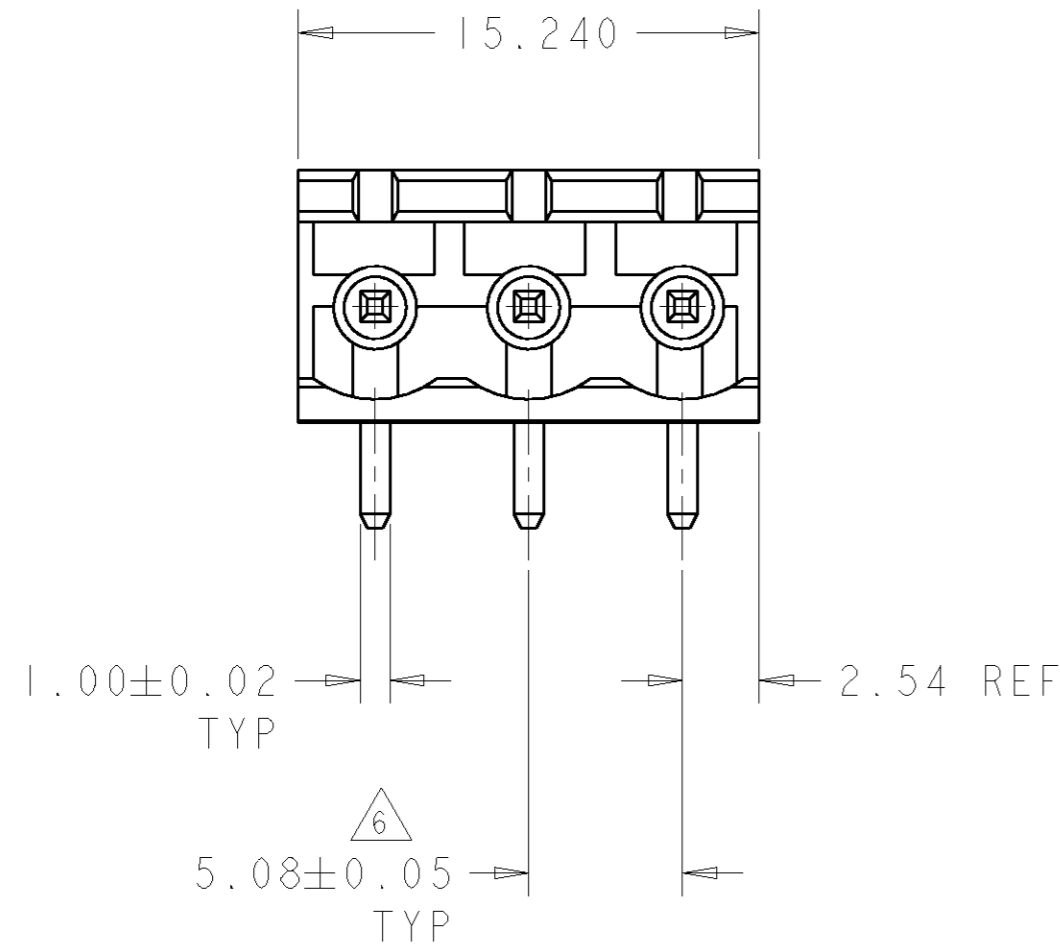
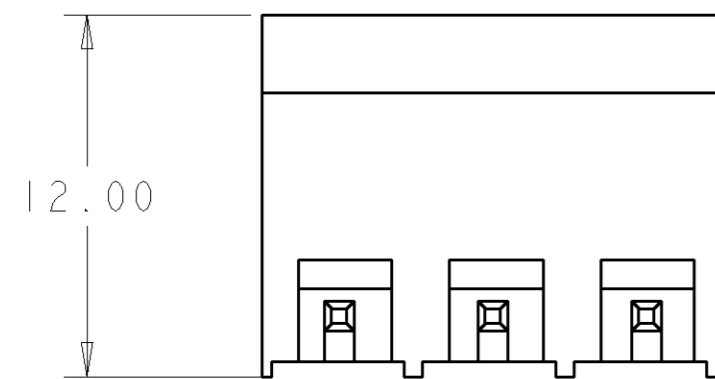


THIS DRAWING IS UNPUBLISHED. RELEASED FOR PUBLICATION 20
 © COPYRIGHT 20 BY TYCO ELECTRONICS CORPORATION. ALL RIGHTS RESERVED.

LOC	DIST	REVISIONS					
FT	0	P	LTR	DESCRIPTION	DATE	DWN	APVD
		A		RELEASED EC 063B-0517-01	11SEP2002	SW	CR

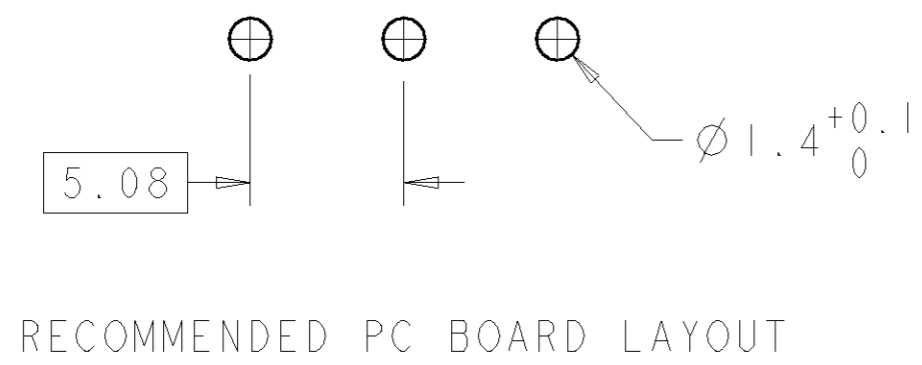


1546110-3 AS SHOWN



- 1. MATERIALS AND FINISH
 HOUSING: PA 6-6, UL 94-V0, COLOR: GRAY.
 TERMINAL: PHOSPHOR BRONZE, TIN PLATED.
- 2. SUITABLE FOR 1,6-2,4mm PC BOARD THICKNESS.
- 3. END-TO-END STACKABLE WITHOUT LOSS OF CENTERLINE SPACING.
- 4. RECOGNIZED UNDER THE COMPONENT PROGRAM OF UNDERWRITERS LABORATORIES INC. FILE N° E60677.
- 5. IMQ CERTIFICATE WITH SURVEILLANCE IN CONFORMITY WITH IEC 998-1/998-2-1.
- 6. NOT CUMULATIVE TOLERANCE.
- 7. BUCHANAN LOGO TO APPEAR ON HOUSING, LOCATION OPTIONAL WHERE SPACE PERMITS.

127.00	25	2-1546110-5
121.92	24	2-1546110-4
116.84	23	2-1546110-3
111.76	22	2-1546110-2
106.68	21	2-1546110-1
101.60	20	2-1546110-0
96.52	19	1-1546110-9
91.44	18	1-1546110-8
86.36	17	1-1546110-7
81.28	16	1-1546110-6
76.20	15	1-1546110-5
71.12	14	1-1546110-4
66.04	13	1-1546110-3
60.96	12	1-1546110-2
55.88	11	1-1546110-1
50.80	10	1-1546110-0
45.72	9	1546110-9
40.64	8	1546110-8
35.56	7	1546110-7
30.48	6	1546110-6
25.40	5	1546110-5
20.32	4	1546110-4
15.24	3	1546110-3
10.16	2	1546110-2
L	NO OF POSN	PART NUMBER



THIS DRAWING IS A CONTROLLED DOCUMENT FOR TYCO ELECTRONICS CORPORATION. IT IS SUBJECT TO CHANGE AND THE CONTROLLING ENGINEERING ORGANIZATION SHOULD BE CONTACTED FOR THE LATEST REVISION.		DWN S. WELDON 11SEP2002	Tyco Electronics Harrisburg, PA 17105-3608	
DIMENSIONS: mm		CHK C. RICHARD 11SEP2002	NAME BUCHANAN TERMINAL BLOCK HEADER ASSEMBLY 90 DEGREE, OPEN ENDS, STACKING 5.08mm PITCH	
TOLERANCES UNLESS OTHERWISE SPECIFIED: 0 PLC ±- 1 PLC ±.2 2 PLC ±.25 3 PLC ±- 4 PLC ±- ANGLES ±- FINISH		APVD C. RICHARD 11SEP2002		
MATERIAL		PRODUCT SPEC 108-20166	SIZE A2	CAGE CODE 00779
		APPLICATION SPEC 114-20079	DRAWING NO G-1546110	RESTRICTED TO -
		WEIGHT -	SCALE 3:1 SHEET 1 OF 1 REV A	
		CUSTOMER DRAWING		