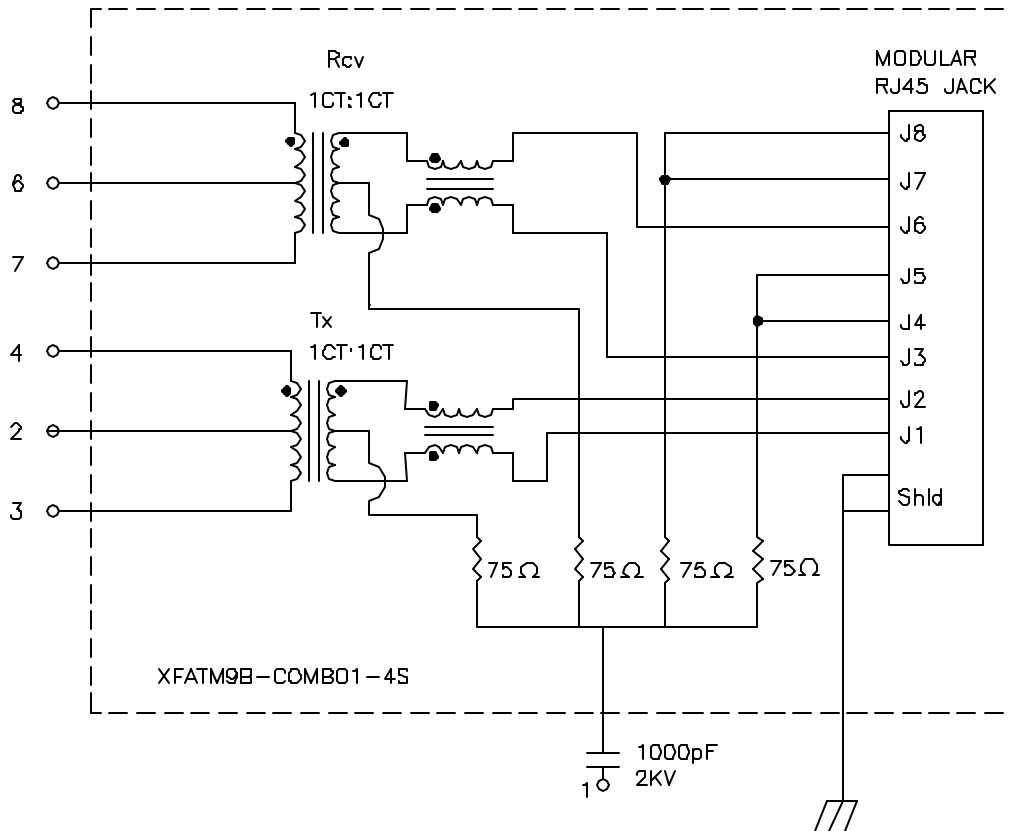


## Schematic:



## Electrical Specifications: @25°C

Isolation Voltage: 1500Vrms  
 UTP SIDE OCL: 350uH Min @100KHz 100mV 8mADC  
 Rise Time (10-90%): 2.5ns Typical  
 Insertion Loss (100KHz-100MHz): -1.1dB Maximum  
 Insertion Loss (100MHz-125MHz): -1.5dB Maximum  
 Return Loss: -18dB Min. @30MHz  
 -12dB Min @80MHz

### Crosstalk:

100KHz-60MHz -40dB Typical  
 60MHz-100MHz -38dB Typical

### Common Mode to Differential Mode Rejection:

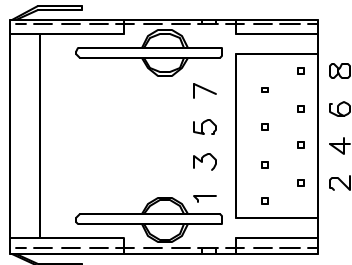
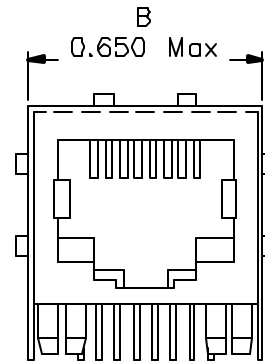
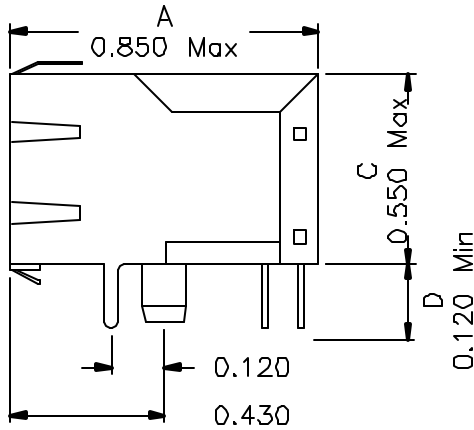
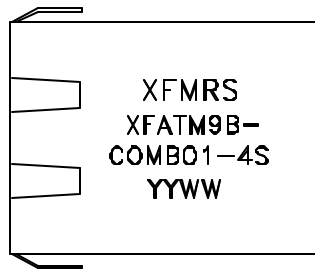
100KHz-60MHz -45dB Typ (Tx) / -40dB Typ (Rx)  
 60MHz-100MHz -40dB Typ (Tx) / -35dB Typ (Rx)

### Note:

- Solderability: Leads shall meet MIL-STD-202, Method 208D for solderability.
- Flammability: UL94V-0,
- ASTM oxygen index: > 28% ,
- Temperature rating: 155°C. UL file E151556,
- Operating Temperature Range: All listed parameters are to be within tolerance from -40°C to +85°C

<b>XFMRs Inc.</b>	Title: <b>SINGLE PORT COMBO</b>		
UNLESS OTHERWISE SPECIFIED	P/N: XFATM9B-COMBO1-4S	REV. A	
TOLERANCES: .xxx ±0.010	DWN.	廖玉坤	Mar-27-01
Dimensions in Inch	CHK.	李清儿	Mar-27-01
DOC REV.: A/1	SHEET 1 OF 2	APP. Joe Huff	Mar-27-01

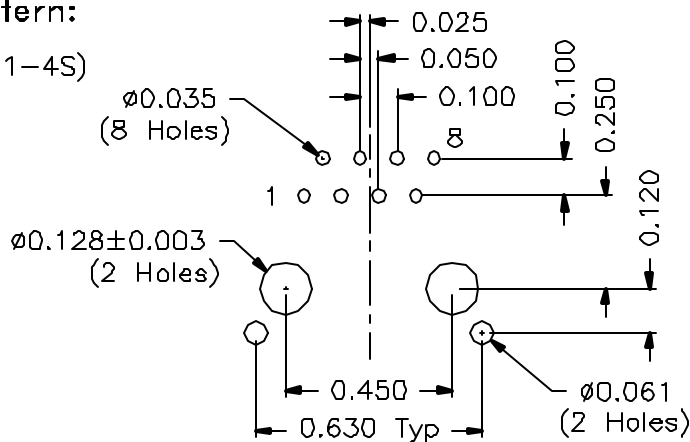
# Mechanical Dimensions:



(BOTTOM VIEW)

## Mounting Pattern:

(FOR COMBO1-4S)  
(COMP SIDE)



<b>XFMRS Inc.</b>		Title: Mechanical Dimensions For COMBO1-4S Series	
UNLESS OTHERWISE SPECIFIED TOLERANCES: .xxx ±0.010 Dimensions in Inch	P/N: XFATM9B-COMBO1-4S	REV. A	
	DWN.	廖玉坤	Mar-27-01
	CHK.	李清IL	Mar-27-01
SHEET 2 OF 2	APP.	Joe Huff	Mar-27-01