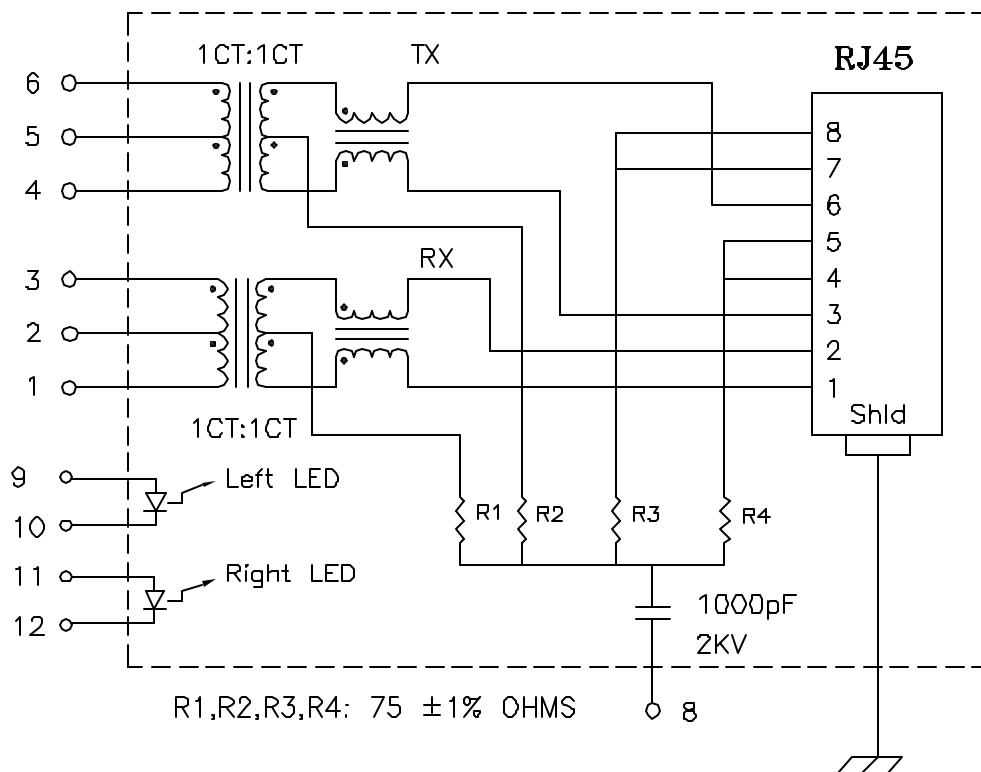


**Schematic:**

(One of Four)



**Electrical Specifications: @25°C**

Isolation Voltage: 1500 Vrms (Input to Output)

Isolation Voltage: 500 Vrms (P1+2+3 to P4+5+6)

Turns Ratio: TX 1CT:1CT ±3% RX 1CT:1CT ±3%

CABLE SIDE OCL: 350uH Minimum @100KHz 100mV 8mADC

Cw/w: 27pF Typical @100KHz 100mV

Insertion Loss (300KHz-100MHz): -1.0dB Maximum

Return Loss: @30MHz -18dB Minimum

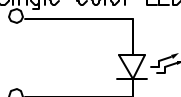
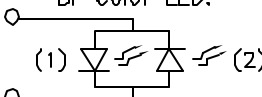
@80MHz -12dB Minimum

Complete the Combo P/N as follows:

Replace 'x' & 'u' in the part number with one of the LED color letters:

Y=Yellow                      'x' = Left LED Color  
G=Green                        'u' = Right LED Color  
A=Amber  
R=Red

C=Green(1)/Amber(2) Bicolor  
D=Amber(1)/Green(2) Bicolor  
M=Green(1)/Yellow(2) Bicolor  
N=Yellow(1)/Green(2) Bicolor  
P=Red(1)/Green(2) Bicolor  
Q=Green(1)/Red(2) Bicolor  
E=Red(1)/Yellow(2) Bicolor  
F=Yellow(1)/Red(2) Bicolor  
H=Amber(1)/Yellow(2) Bicolor

Single Color LED:  Bi-Color LED: 

**Notes:**

- Solderability: Leads shall meet MIL-STD-202G, Method 208H for solderability.
- Flammability: UL94V-0
- ASTM oxygen index: > 28%
- Insulation System: Class F 155°C. UL file E151556
- Operating Temperature Range: All listed parameters are to be within tolerance from -40°C to +85°C
- Storage Temperature Range: -55°C to +125°C
- Aqueous wash compatible
- Electrical and mechanical specifications 100% tested
- RoHS Compliant Component

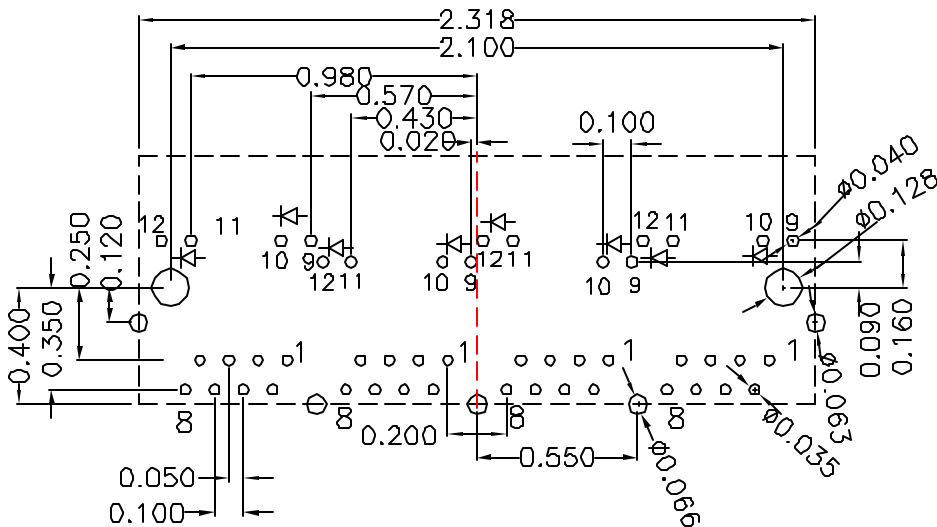
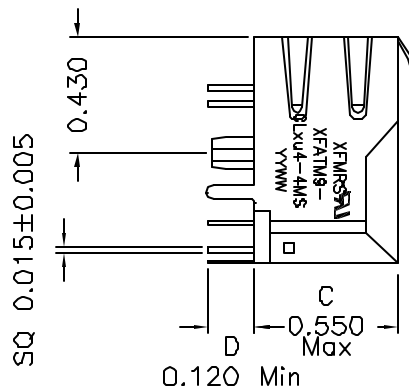
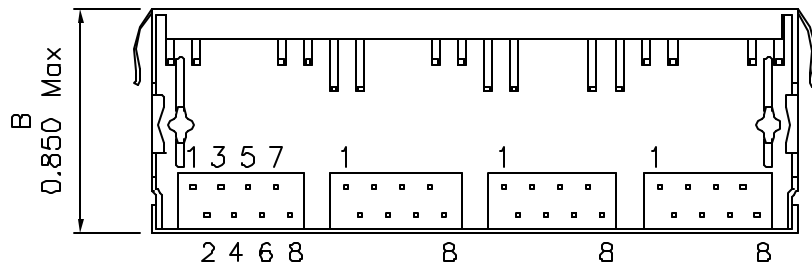
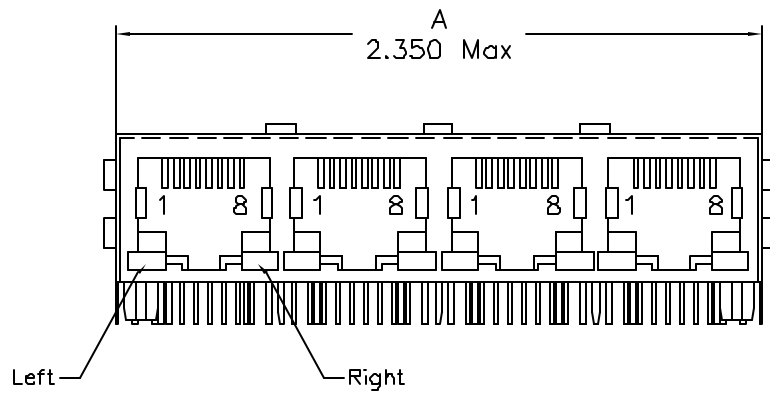
DOC REV: A/6

<b>XFMRs Inc.</b> www.XFMRS.com	Title: <b>FOUR PORT COMBO</b>		
	UNLESS OTHERWISE SPECIFIED	P/N: XFATM9-CLx4-4MS	REV. A
TOLERANCES: .xxx ±0.010	DWN.	Juan Mao	May-22-06
Dimensions in Inch	CHK.	YK Liao	May-22-06
SHEET 1 OF 2	APP.	BW	May-22-06

**PROPRIETARY:**

Document is the property of XFMRs Group & is not allowed to be duplicated without authorization.

# Mechanical Dimensions: (FOR CLxu4-4MS)



SUGGESTED MOUNTING PATTERN

DOC REV: A/6

<b>XFMRs Inc.</b> <a href="http://www.XFMRs.com">www.XFMRs.com</a>	Title: <b>FOUR PORT COMBO w/ LED's</b>		
	UNLESS OTHERWISE SPECIFIED	P/N: XFATM9-CLxu4-4MS	REV. A
TOLERANCES: .xxx ±0.010	DWN.	Juan Mao	May-22-06
Dimensions in Inch	CHK.	YK Liao	May-22-06
SHEET 2 OF 2	APP.	BW	May-22-06

**PROPRIETARY:**

Document is the property of XFMRs Group & is not allowed to be duplicated without authorization.