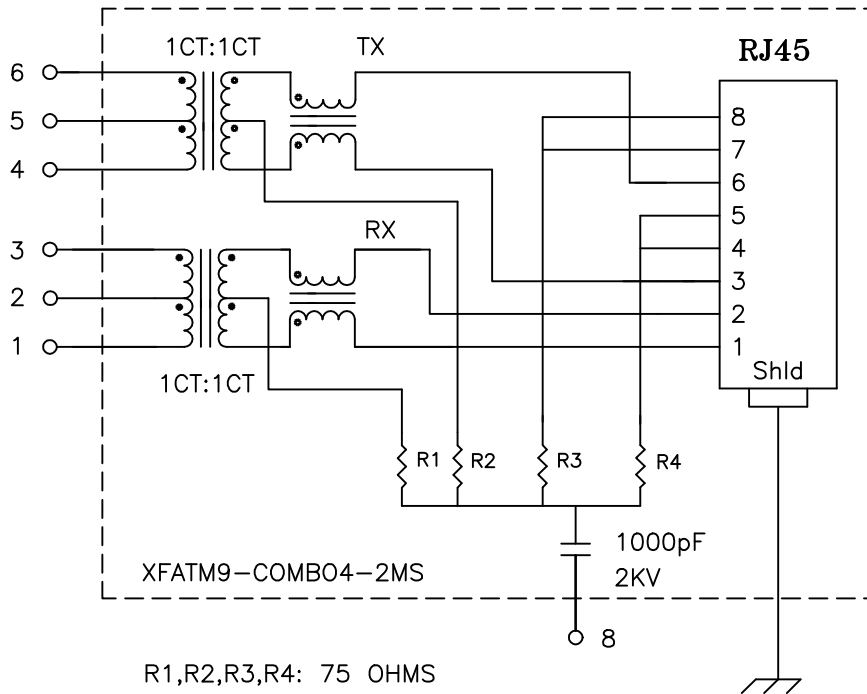


Schematic:



Electrical Specifications: @25°C

- Isolation Voltage: 1500 Vrms (Input to Output)
- Isolation Voltage: 500 Vrms (P1+2+3 to P4+5+6)
- Turns Ratio: TX 1CT:1CT ±3% RX 1CT:1CT ±3%
- CABLE SIDE OCL: 350uH Minimum @100KHz 100mV 8mADC
- Cw/w: 27pF Typical @100KHz 100mV
- Insertion Loss (300KHz-100MHz): 1.0dB Maximum
- Return Loss: @30MHz 18dB Minimum
- @80MHz 12dB Minimum

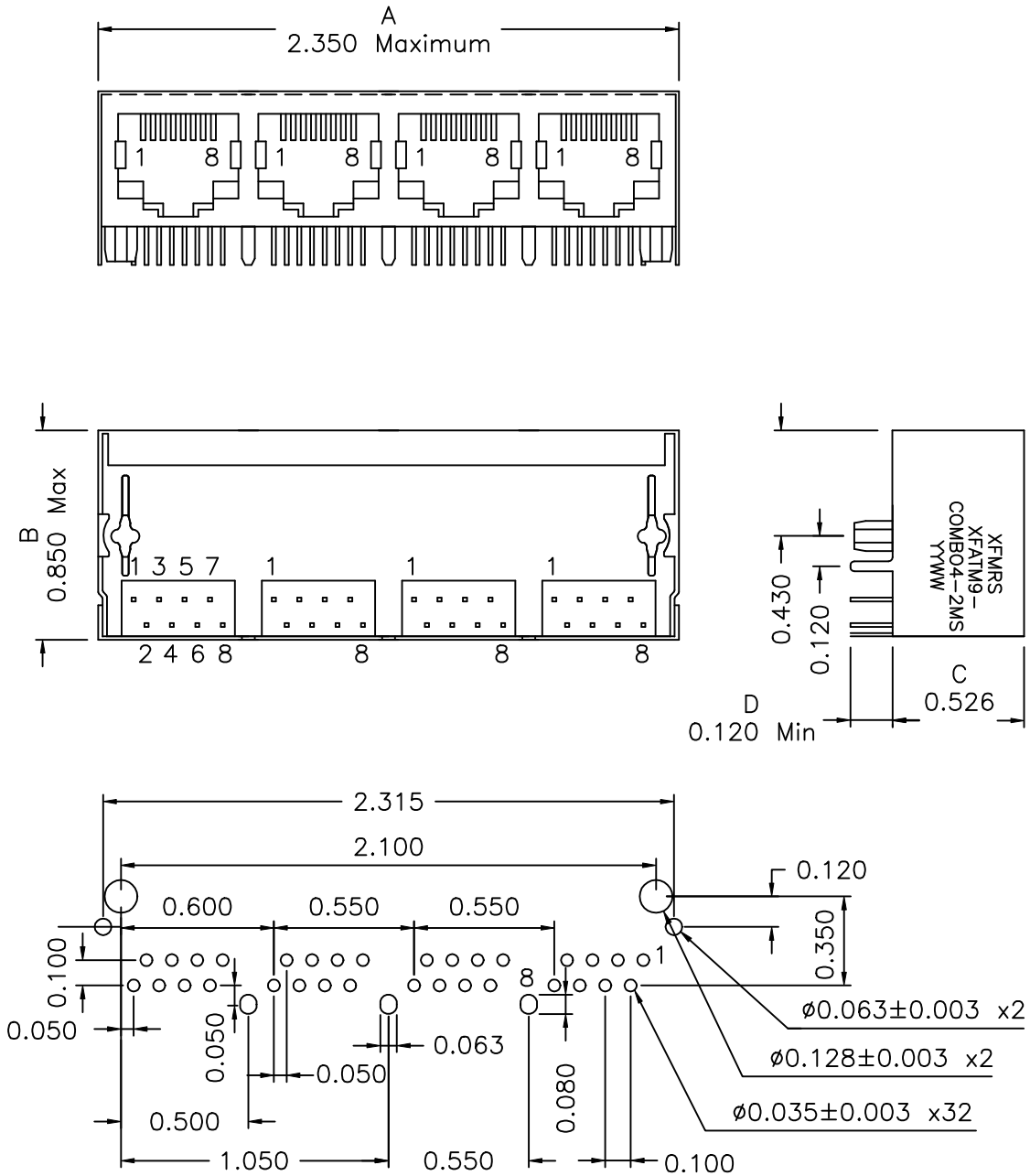
Notes:

1. Solderability: Leads shall meet MIL-STD-202, Method 208D for solderability.
2. Flammability: UL94V-0
3. ASTM oxygen index: > 28%
4. Temperature rating: 155°C. UL file E151556
5. Operating Temperature Range: -40°C to +85°C

DOC. REV: A/1

| | | | |
|--|-------------------------------|-----|-----------|
| XFMR Inc. | Title: QUAD PORT COMBO | | |
| UNLESS OTHERWISE SPECIFIED TOLERANCES: .xxx ±0.010 Dimensions in Inch | P/N: XFATM9-COMBO4-2MS | | REV. A |
| | DWN. | 李清儿 | Dec-14-01 |
| | CHK. | 孙小松 | Dec-14-01 |
| SHEET 1 OF 2 | APP. | BW | Dec-14-01 |

Mechanical Dimensions: (FOR COMB04-4MS)



SUGGESTED MOUNTING PATTERN

DOC. REV: A/1

| | | | |
|-------------------|--|------------------------|-----------|
| XFMRs Inc. | Title: Mechanical Dimensions For COMB04-2MS Series | | |
| | UNLESS OTHERWISE SPECIFIED TOLERANCES: .xxx ±0.010 Dimensions in Inch | P/N: XFATM9-COMB04-2MS | REV. A |
| SHEET 2 OF 2 | DWN. | 李小锋 | Dec-14-01 |
| | CHK. | 廖玉坤 | Dec-14-01 |
| | APP. | BW | Dec-14-01 |