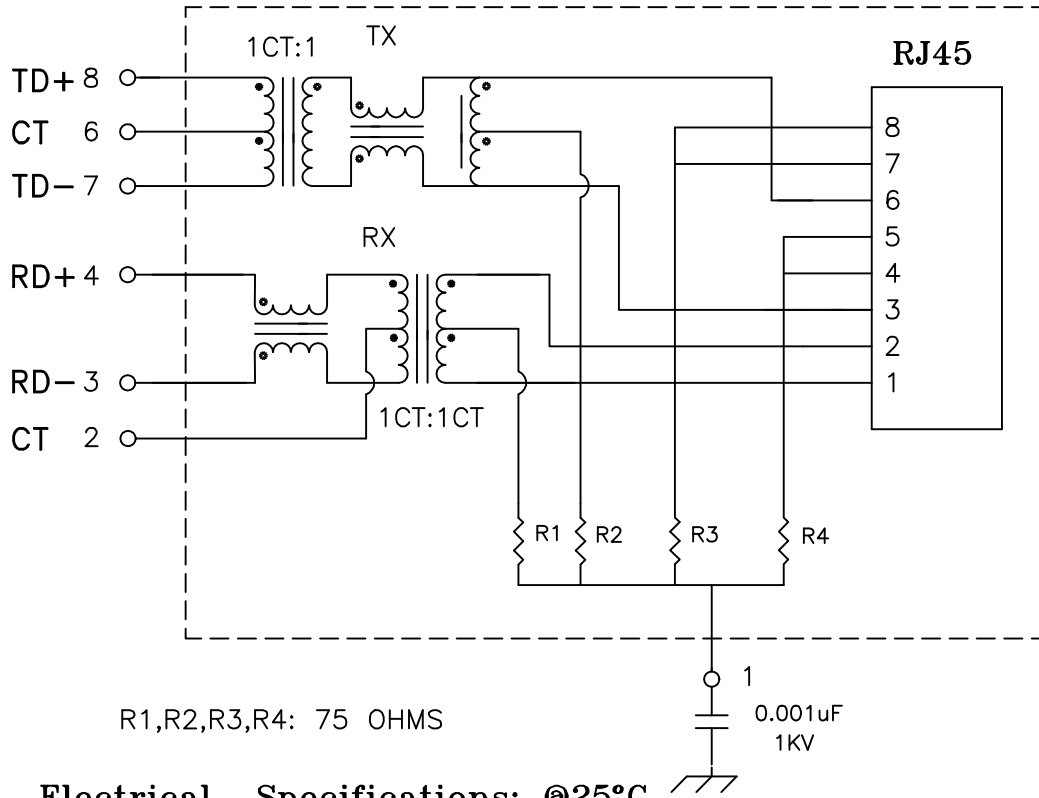


**Schematic:**



**Electrical Specifications: @25°C**

- Isolation Voltage: 1500 Vrms (INPUT to OUTPUT)
- Isolation Voltage: 500 Vrms (6+7+8-2+3+4)
- TURNS RATIO: TX 1CT:1 ±5% RX 1CT:1CT ±5%
- OCL: 350uH Minimum @100KHz 100mV 8mADC
- Insertion Loss (300KHz-100MHz): -1.0dB Typical
- Return Loss: 30MHz -16dB Typical
  - 60MHz -12dB Typical
  - 80MHz -10dB Typical
- CROSSTALK: 32MHz -40dB Minimum
  - 62MHz -35dB Minimum
- Note: 100MHz -35dB Minimum

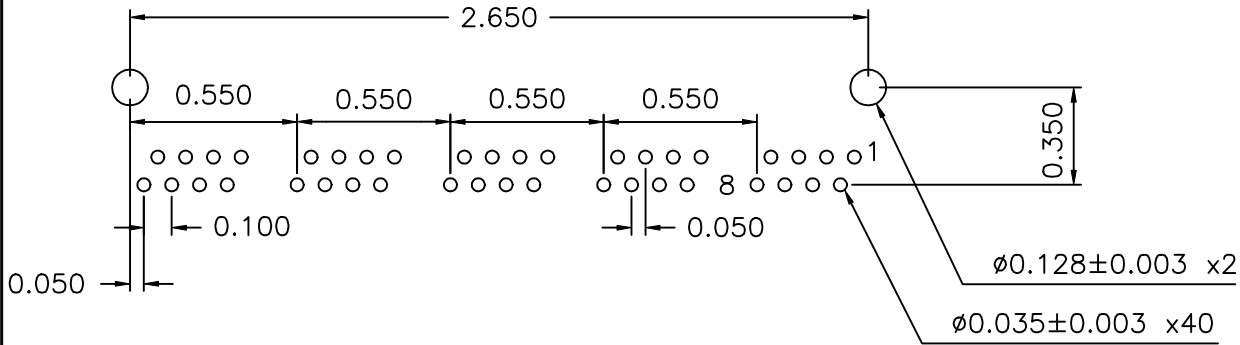
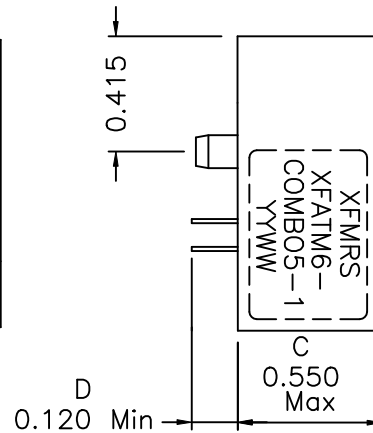
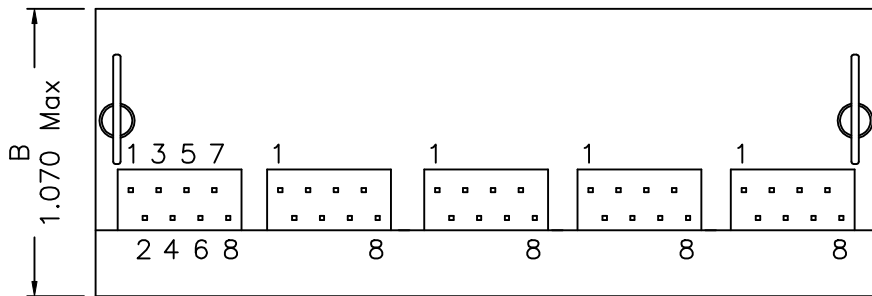
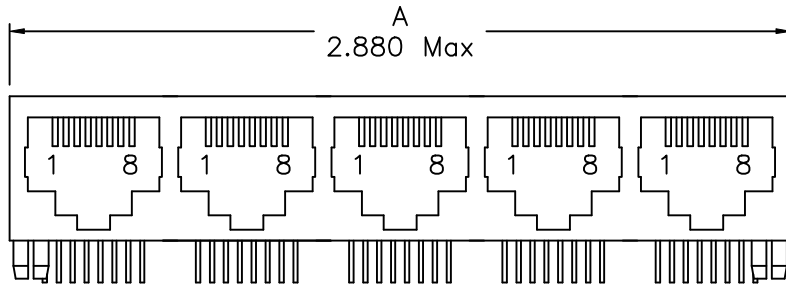
1. Solderability: Leads shall meet MIL-STD-202, Method 208D for solderability.
2. Flammability: UL94V-0,
3. ASTM oxygen index: > 28% ,
4. Temperature rating: 155°C. UL file E151556,
5. Operating Temperature Range: -40°C to +85°C

**PRELIMINARY**

<b>XFMRs Inc.</b> UNLESS OTHERWISE SPECIFIED TOLERANCES: .xxx ±0.010 Dimensions in Inch SHEET 1 OF 2	Title: SINGLE PORT COMBO	
	P/N:XFATM6-COMBO5-1	REV. A
	DWN. 李小锋	Jun-23-02
	CHK. 廖玉坤	Jun-23-02
	APP. BW	Jun-23-02

DOC. REV: A/1

# Mechanical Dimensions: (FOR COMB05-4)



SUGGESTED MOUNTING PATTERN

**PRELIMINARY**

DOC. REV: A/1

<b>XFMRs Inc.</b>	Title: Mechanical Dimensions For COMB05-1 Series		
UNLESS OTHERWISE SPECIFIED TOLERANCES: .xxx ±0.010 Dimensions in Inch SHEET 2 OF 2	P/N: XFATM6-COMB05-1		REV. A
	DWN.	李小锋	Jun-23-02
	CHK.	廖玉坤	Jun-23-02
	APP.	BW	Jun-23-02