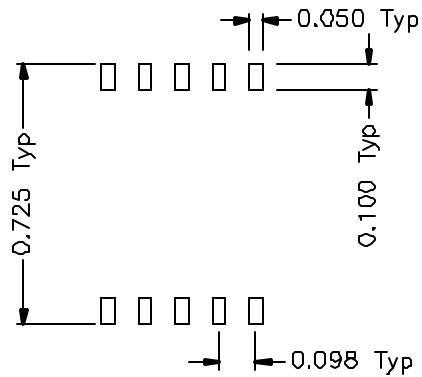
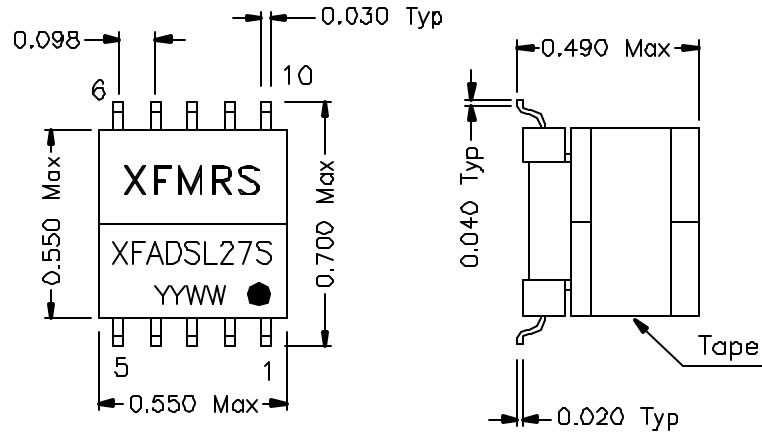
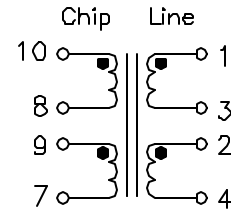


### 1. Dimensions:



Suggested PCB Layout

### 2.Schematic:



### 3.Electrical Specifications: @25°C

PIN1-4 OCL: 1.5mH ±10% @10KHz 0.1V 0mAdc  
(CONNECT PIN3-2)

PIN1-4 LL: 12uH Max @100KHz 100mV  
(CONNECT PIN 3-2, Short10-7)

PIN1-10 Cw/w: 35pF Max @100KHz 100mV

URNS RATIO: (10-7):(1-4) = 1:1.95±1% tie(8+9, 3+2)

DC Res.: Pins 1-4 2.0 Ohms Max (Short 3-2)

ISOLATION VOLTAGE: 1500Vrms (Chip to Line)

OPERATING TEMP: -40 TO 85°C

UL1950 approved for the requirements of Supplementary Insulation with 300 working volts. UL file #E165B66

Note:

- Solderability: Leads shall meet MIL-STD-202, Method 208D for solderability.
- Flammability: UL94V-0,
- ASTM oxygen index: > 28% ,
- Temperature rating. 155°C. UL file E151556,
- Operating Temperature Range: -40°C to +85°C

DOC. REV A/3

<b>XFMRS Inc</b>	Title: ADSL TRANSFORMER		
	UNLESS OTHERWISE SPECIFIED	P/N: XFADSL27S	REV. A
TOLERANCES: .xxx ±0.010	DWN.	廖玉坤	Dec-05-00
Dimensions in INCH	CHK.	李清儿	Dec-05-00
SHEET 1 OF 1	APP.	BW	Dec-05-00