

DESCRIPTION

The PT5621 is an electronic ballast controller IC specifically for three-way dimming fluorescent lamps. The features of the controller include negative-feedback closed-loop control of the lamp current, programmable preheat time, low start-up current and precise oscillating frequency. PT5621 is available in both DIP16 and SOP16 packages.

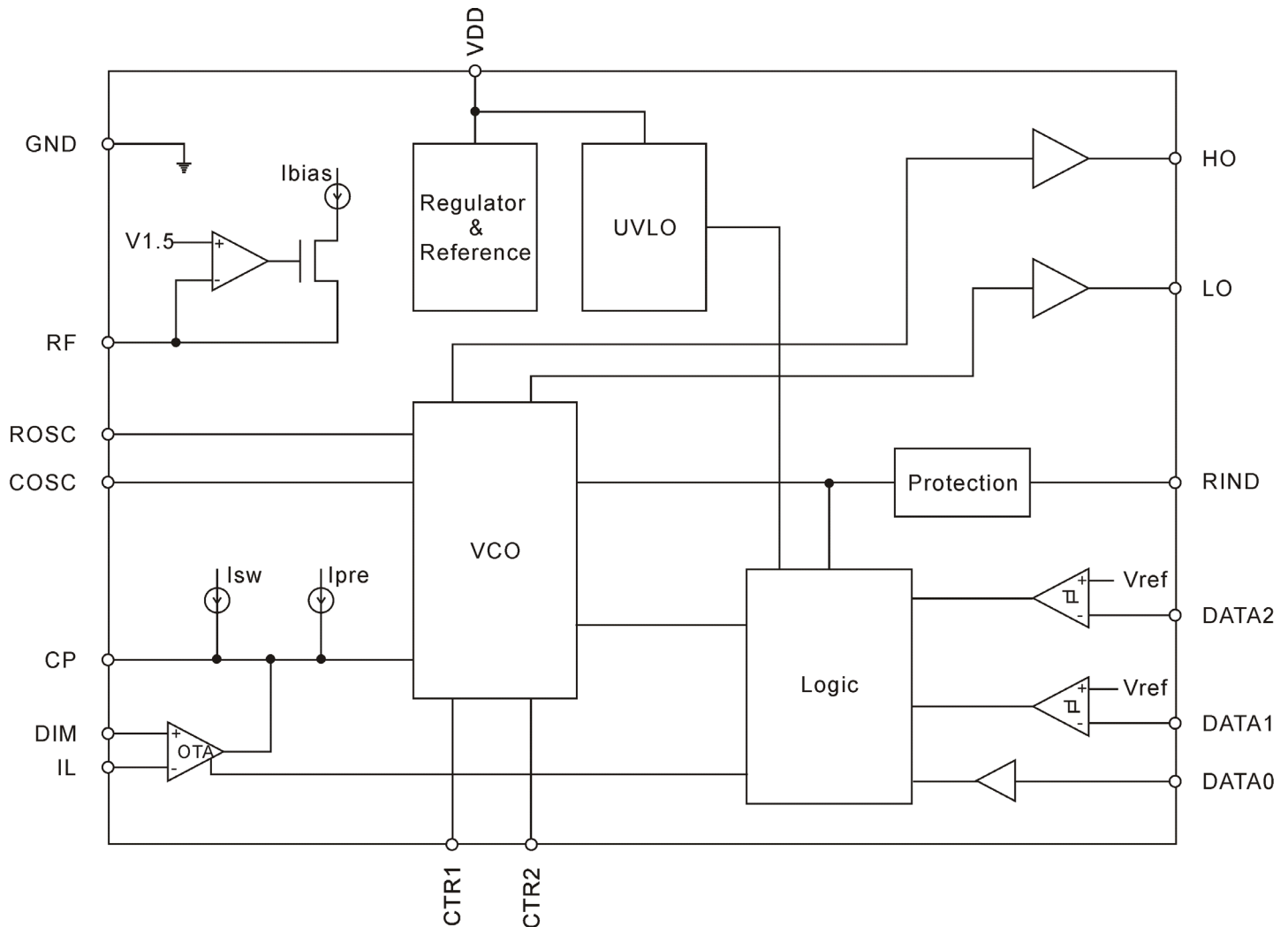
APPLICATION

- Various types of fluorescent lamps/CFL (specifically for three-way dimming application)

FEATURES

- Three-way dimming fluorescent lamp electronic ballast
- Closed-loop control of the lamp current
- Precise working frequency control
- Programmable preheat time
- Constant frequency preheat, sweeping frequency ignition
- Fixed dead time
- Supporting low luminance Ignition
- Supporting DIP16/SOP16 packages

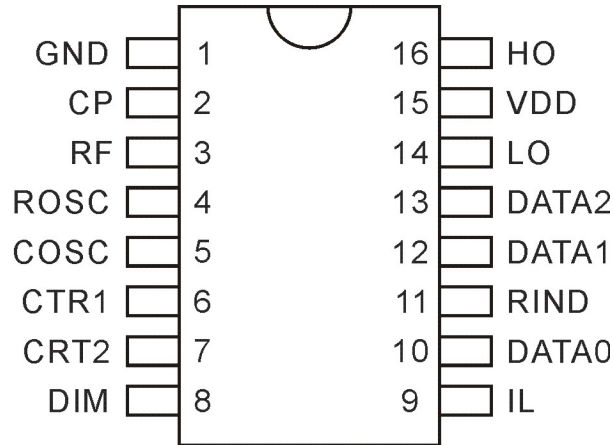
BLOCK DIAGRAM



ORDER INFORMATION

Valid Part Number	Package Type	Top Code
PT5621-D	16 Pins, DIP, 300MIL	PT5621-D
PT5621-S	16 Pins, SOP, 150MIL	PT5621-S

PIN CONFIGURATION



PT5621

IN DESCRIPTION

Pin Name	Description	Pin No.
GND	Ground	1
CP	Preheat time and sweeping ignition control pin	2
RF	Internal reference current bias setting pin, The pin's voltage reference is fixed at 1.5V. It connects to an external resistor to determine the internal current reference, typical value is 75K	3
ROSC	Oscillator connects to an external resistor to determine the oscillating frequency	4
COSC	Oscillator connects to an external capacitor to determine the oscillating frequency	5
CTR1, 2	Dimming level setting pin The different output states of the CTR1& CTR2 make the voltage divider consisting of external resistors output different voltage level to the DIM pin and set different dimming level	6, 7
DIM	Dimming input Pin	8
IL	Lamp current sampling	9
DATA0	NC This pin is shorted to GND	10
RIND	Protection input pin	11
DATA1, 2	The Lives sensing pins	12, 13
LO	Low-side gate driver output	14
VDD	Power supply, operating voltage is 13V	15
HO	High-side gate driver output	16

IMPORTANT NOTICE

Princeton Technology Corporation (PTC) reserves the right to make corrections, modifications, enhancements, improvements, and other changes to its products and to discontinue any product without notice at any time.

PTC cannot assume responsibility for use of any circuitry other than circuitry entirely embodied in a PTC product. No circuit patent licenses are implied.

Princeton Technology Corp.
2F, 233-1, Baociao Road,
Sindian, Taipei 23145, Taiwan
Tel: 886-2-66296288
Fax: 886-2-29174598
<http://www.princeton.com.tw>