

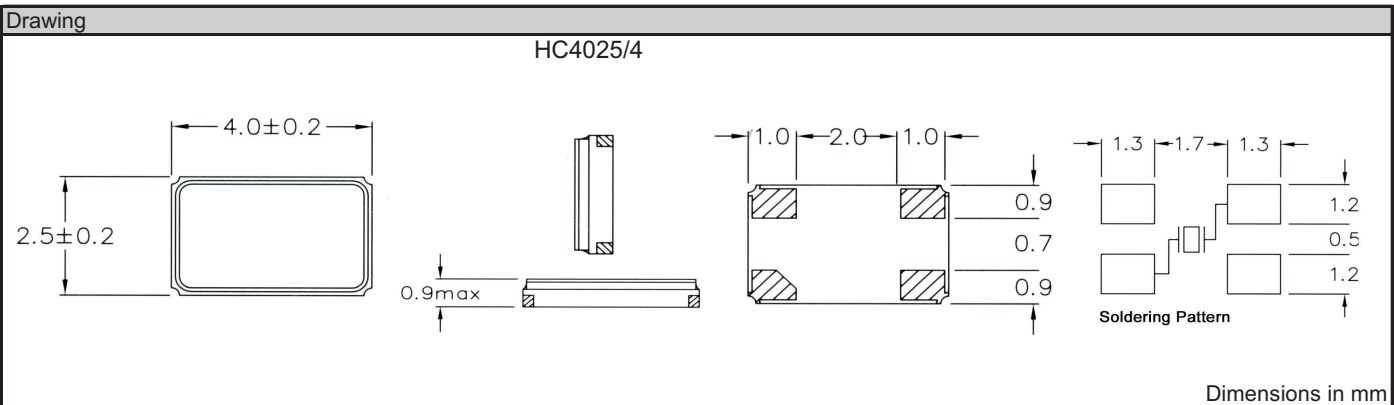
HC4025/4

Features:

- SMD
- High reliability
- Application: Bluetooth, wireless LAN
- Ultra thin and small leadless type

Specifications				
		Symbol	HC4025/4	Remarks
Frequency range		f	12.000MHz - 50.000MHz	Fundamental mode
Frequency tolerance, Ta=25°C		$\Delta f/f$	$\pm 10\text{ppm} \sim \pm 50\text{ppm}$	Please specify
Load capacitance		C_L	7pF ~ 32pF	Please specify
Temperature tolerance		$\Delta f/f$	$\pm 10\text{ppm} \sim \pm 50\text{ppm}$	Please specify
Temperature range	Storage temperature	T_{STG}	-40°C ~ +85°C	
	Operating temperature	T_{OPR}	-20°C ~ +70°C	Others are offered
Drive level	Maximum drive level	M_{DL}	500 μ W	
	Recommended drive level	R_{DL}	100 μ W	
Series resistance		R_1	As per table	25°C $\pm 3^\circ\text{C}$
Shunt capacitance		C_0	7pF	Max
Insulation resistance		I_R	500M Ohm	Min
Aging		Δf_A	$\pm 3\text{ppm/Year max}$	Others are offered

Resistance of series resonance (ESR)						
Frequency (MHz)	Mode	Ohm max		Frequency (MHz)	Mode	Ohm max
12 <= f < 16	Fundamental	100		25 <= f < 50	Fundamental	60
16 <= f < 25	Fundamental	80				



Order key								
Q	- 32.000000M	- HC4025/4	- F	- 30	- 30	- D	- 16	- TR
Part	Frequency	Package	Mode of oscillation	Frequency tolerance	Temperature tolerance	Temperature range	Load capacitance	Option
Q=Quartz	M=MHz	HC4025/4	F=fund.	$\pm\text{ppm}$ (25°C)	$\pm\text{ppm}$ (Temp. range)	A= 0°C ~ +70°C B= -10°C ~ +60°C C= -10°C ~ +70°C D= -20°C ~ +70°C E= -40°C ~ +85°C I = -10°C ~ +50°C	pF SR=series	TR=Tape and reel X=Special options
		/4 = 4 pads						