



P/N: 40ST1053 LF DATA SHEET

Feature



- IEEE 802.3 Ethernet compatible, 100 BASE-TX
- Surface mountable.
- Design for multi-port repeater and Ethernet switching Hub application.
- Customer designs available for specific application.
- Lead free for external pins.
- Operating temperature range : 0°C to +70°C.
- Storage temperature range: -25°C to +125°C.

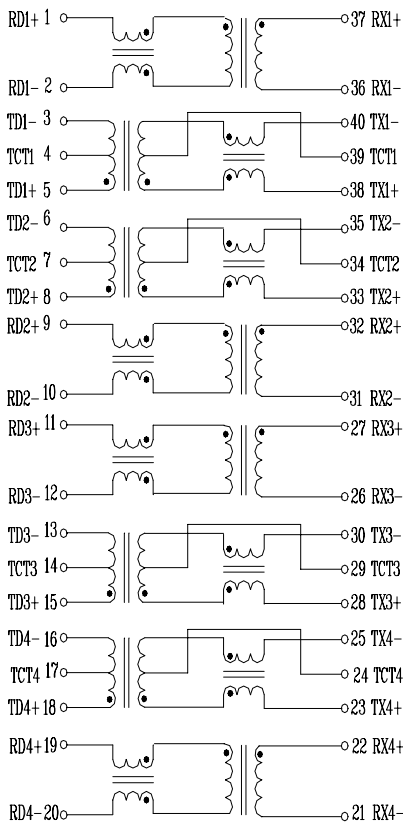
Electrical Specifications @ 25°C

Part Number	Turns Ratio (±5%)		OCL(μH Min) @100KHz/0.1V with 8mA DC Bias	Rise Time (nS Typ)	HI-POT (Vrms)
	TX	RX			
40ST1053 LF	1CT:1CT	1:1	350	2.5	1500

Continue

Part Number	Insertion Loss (dB Max)	Return Loss (dB Min)			Cross talk (dB Min)		DCMR (dB Min)		
		0.3-100MHz	0.3-30MHz	30-60MHz	60-80MHz	0.3-60MHz	60-100MHz	60MHz	100 MHz
40ST1053 LF	-1.15	-16	-12	-10	-40	-35	-37	-28	-25

Schematic



Mechanical

