

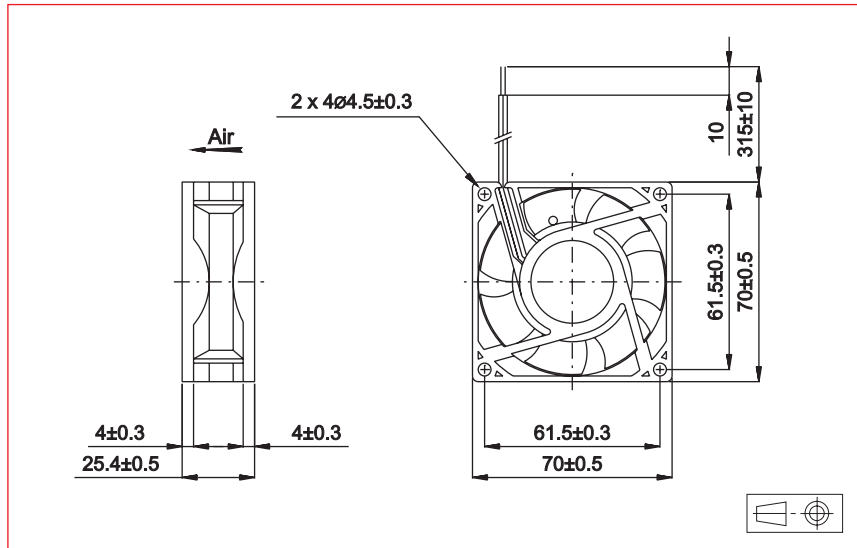
2,756" x 2,756" x 0,984"

70 x 70 x 25 mm

Series
291D

ETRI[®]

DC Axial Fans



Approvals



Life expectancy

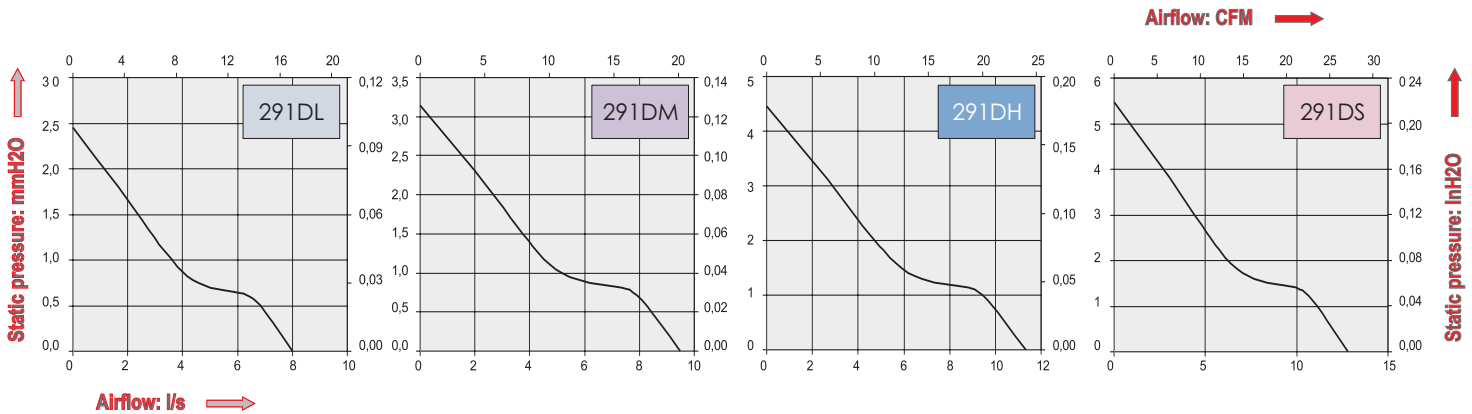
L-10 LIFE AT 40°C:
70 000 hours

Brushless DC Motor

Electrical protection: impedance protected
Housing material: plastic UL 94 VO
Impeller material: plastic UL 94 VO
Weight: 77 g
Bearing system: ball bearings

Available with:

- Speed sensor
- Alarm (except for 5 V)
- IP54 / IP55



Part Number	Nominal voltage	Airflow	Noise level	Nominal speed	Input Power	Voltage range	Connection type		Operating temperature	
	V						l/s	dB(A)	RPM	W
291DL5LP11000	5	8,0	24,5	2600	0,8	(4,5-5,5)	X		0	70
291DL1LP11000	12	8,0	24,5	2600	1,0	(7-13,8)	X		0	70
291DL2LP11000	24	8,0	24,5	2600	1,0	(14-27,6)	X		0	70
291DL4LP11000	48	8,0	24,5	2600	1,4	(28-56)	X		0	70
291DM5LP11000	5	9,5	28	3000	1,1	(4,5-5,5)	X		0	70
291DM1LP11000	12	9,5	28	3000	1,2	(7-13,8)	X		0	70
291DM2LP11000	24	9,5	28	3000	1,2	(14-27,6)	X		0	70
291DM4LP11000	48	8,5	28	3000	1,9	(28-56)	X		0	70
291DH5LP11000	5	11,3	32	3600	2,0	(4,5-5,5)	X		0	70
291DH1LP11000	12	11,3	32	3600	1,6	(7-13,8)	X		0	70
291DH2LP11000	24	11,3	32	3600	1,9	(14-27,6)	X		0	70
291DH4LP11000	48	11,3	32	3600	1,9	(28-56)	X		0	70
291DS1LP11000	12	12,8	35	4000	2,0	(7-13,8)	X		0	70
291DS2LP11000	24	12,8	35	4000	2,4	(14-27,6)	X		0	70
291DS4LP11000	48	12,8	35	4000	2,4	(28-56)	X		0	70

Accessories:

Refer to Accessories leaflet