

# Satellite Power Inserter Bias-Tee / Diplexer

## ZABT-2R15G+

50Ω 10 to 2150MHz (10MHz, 950-2150MHz)



CASE STYLE: CC51

Connectors	Model	Price	Qty.
BNC-SMA FEMALE	ZABT-2R15G+	\$44.95 ea.	(10)

**+ RoHS compliant in accordance with EU Directive (2002/95/EC)**

The +Suffix has been added in order to identify RoHS Compliance. See our web site for RoHS Compliance methodologies and qualifications.

### Maximum Ratings

Operating Temperature	-55°C to 100°C
Storage Temperature	-55°C to 100°C
RF Power	30 dBm Max.
Voltage at DC port	25 V Max.
Input Current	3A
DC resistance from DC to RF&REF&DC port	0.5 Ohm Typ.

### Coaxial Connections

RF	1 (SMA female)
RF&REF&DC	2 (SMA female)
REF	3 (BNC female)
DC	S (BNC female)

### Features

- Low insertion loss, 0.5dB Typ.
- Good Isolation, 50dB Typ.

### Applications

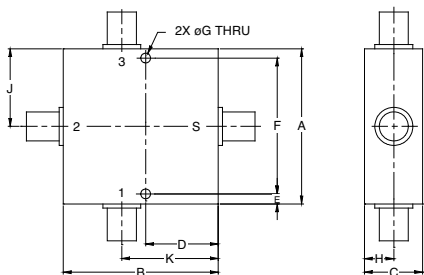
- Satellite IF band
- Satellite Receivers / Transmitters
- Test accessory

### Electrical Specifications (T<sub>AMB</sub> = 25°C)

INSERTION LOSS* (dB)				ISOLATION* (dB)				VSWR (:1)							
Port 3 to Port 2		Port 1 to Port 2		Port 3 to Port 1		Port 1 to Port 3		Port 1 to Port S Port 2 to Port S Port 3 to Port S		Port 2 & Port 3		Port 1 & Port 2			
10MHz		950-2150MHz		10MHz		950-2150MHz		10MHz		950-2150MHz		10MHz		950-2150MHz	
Typ.	Max.	Typ.	Max.	Typ.	Min.	Typ.	Min.	Typ.	Min.	Typ.	Min.	Typ.	Max.	Typ.	Max.
0.5	0.8	0.4	1.5	90	70	65	35	40	27	50	30	1.4	1.8	1.2	1.6

\* Insertion Loss and Isolation are guaranteed up to 24dBm RF power and 2A DC current.

### Outline Drawing



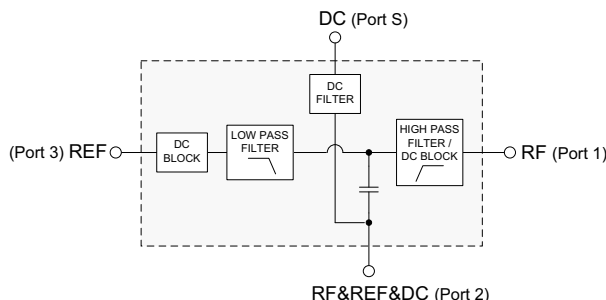
### Outline Dimensions (inch/mm)

A	B	C	D	E		
2.00	2.00	.75	.938	.13		
50.80	50.80	19.05	23.83	3.30		
F	G	H	J	K	wt.	
1.750	.125	.38	1.00	1.25	grams	
44.45	3.17	9.65	25.40	31.75	200	

### Typical Performance Data

FREQ. (MHz)	INSERTION LOSS (dB) (P <sub>in</sub> = 0dBm) with Current				ISOLATION (dB) (P <sub>in</sub> = 0dBm) with Current				VSWR (:1) Port 2
	Port 1 to Port 2				Port 1 to Port S				
	0.1A	0.5A	1A	2A	0.1A	0.5A	1A	2A	
2	86.95	84.64	82.68	81.32	85.68	90.10	83.56	79.73	1.37
5	91.38	86.70	91.88	86.01	86.74	94.04	87.43	85.23	1.18
10	82.34	84.06	86.00	88.08	99.69	90.41	102.84	87.90	1.15
25	85.21	88.30	81.14	84.82	81.77	85.93	88.44	86.66	1.26
50	71.95	71.34	71.13	75.94	92.18	81.98	77.94	85.73	1.72
100	48.89	49.05	48.87	49.07	80.26	82.35	84.53	82.73	5.26
500	1.28	1.27	1.27	1.29	55.22	55.53	55.58	55.65	2.24
900	0.30	0.29	0.29	0.30	63.80	64.06	63.66	63.90	1.11
950	0.28	0.28	0.27	0.28	62.39	63.41	65.26	67.45	1.12
1000	0.30	0.30	0.30	0.30	61.29	62.63	63.10	65.87	1.15
1100	0.30	0.29	0.30	0.30	63.07	64.61	62.95	61.13	1.20
1250	0.34	0.34	0.34	0.34	58.61	58.80	58.99	59.10	1.27
1400	0.37	0.38	0.38	0.38	52.47	52.25	51.95	51.98	1.31
1500	0.40	0.39	0.40	0.40	49.52	49.43	49.61	49.65	1.32
1700	0.41	0.41	0.41	0.41	44.39	44.64	44.61	44.68	1.29
1800	0.44	0.44	0.42	0.43	42.46	42.53	42.45	42.39	1.25
2000	0.46	0.47	0.46	0.47	38.42	38.36	38.40	38.44	1.16
2100	0.51	0.51	0.51	0.52	36.33	36.36	36.37	36.37	1.14
2150	0.54	0.54	0.54	0.55	35.32	35.32	35.34	35.34	1.15
2200	0.58	0.58	0.59	0.58	34.28	34.26	34.30	34.26	1.18

### Functional Block Diagram



**Mini-Circuits®**  
ISO 9001 ISO 14001 AS 9100 CERTIFIED

minicircuits.com

P.O. Box 350166, Brooklyn, New York 11235-0003 (718) 934-4500 Fax (718) 332-4661 For detailed performance specs & shopping online see Mini-Circuits web site



The Design Engineers Search Engine Provides ACTUAL Data Instantly From MINI-CIRCUITS At: [www.minicircuits.com](http://www.minicircuits.com)

IF/RF MICROWAVE COMPONENTS

REV. A  
M120652  
EDR-9128/1U  
ZABT-2R15G+  
URJ/RAV  
081210  
Page 1 of 3

