



TAI-SAW TECHNOLOGY CO., LTD.

No. 3, Industrial 2nd Rd., Ping-Chen Industrial District,
Taoyuan, 324, Taiwan, R.O.C.

TEL: 886-3-4690038 FAX: 886-3-4697532

E-mail: tstsales@mail.taisaw.com Web: www.taisaw.com

Product Specifications Approval Sheet

Product Name: SAW Filter 915MHz


TST Parts No.:TA1042A

Customer Parts No.: _____

Customer signature required
Company: _____
Division: _____
Approved by : _____
Date: _____

陳秀宜

Checked by: _____ Anne Chen

Approval by: _____ Francis Chen 

Date: _____ 8.31. 2009

1. Customer signed back is required before TST can proceed with sample build and receive orders.
2. Orders received without customer signed back will be regarded as agreement on the specifications.
3. Any specifications changes must be approved upon by both parties and a new revision of specifications shall be released to reflect the changes.



TAI-SAW TECHNOLOGY CO., LTD.

No. 3, Industrial 2nd Rd., Ping-Chen Industrial District,
Taoyuan, 324, Taiwan, R.O.C.

TEL: 886-3-4690038 FAX: 886-3-4697532

E-mail: tstsales@mail.taisaw.com Web: www.taisaw.com

SAW Filter 915 MHz

MODEL NO.: TA1042A

REV. NO.:1

A. MAXIMUM RATING:

1. Input Power Level: 24dB_m
2. DC voltage: 5 V
3. Operating Temperature: -40°C to +85°C
4. Storage Temperature: -40°C to +85°C

RoHS Compliant
Lead free
Lead-free soldering

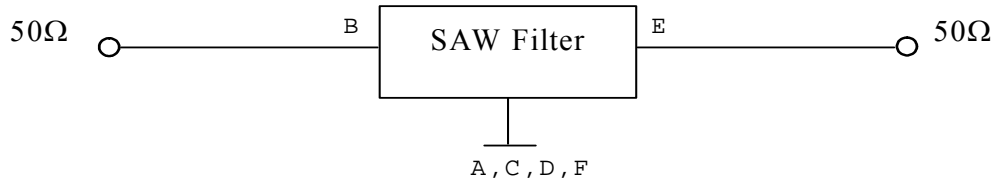
B. ELECTRICAL CHARACTERISTICS:

Item		Min.	Typ.	Max.
Center frequency	Fc MHz	-	915	-
Insertion loss	902 ~ 928 MHz IL (dB)	-	2.2	3.5
Amplitude ripple	902 ~ 928 MHz (dB)	-	0.6	2.0
VSWR	902 ~ 928 MHz	-	1.6	2.3
Attenuation (Reference level from 0 dB)				
D.C. ~ 800 MHz	(dB)	50	63	-
800 ~ 880 MHz	(dB)	40	48	-
960 ~ 1080 MHz	(dB)	32	39	-
1080 ~ 1500 MHz	(dB)	45	65	-
1500 ~ 3000 MHz	(dB)	22	28	-
Source impedance	Z_s (Ω)	-	50	-
Load impedance	Z_L (Ω)	-	50	-

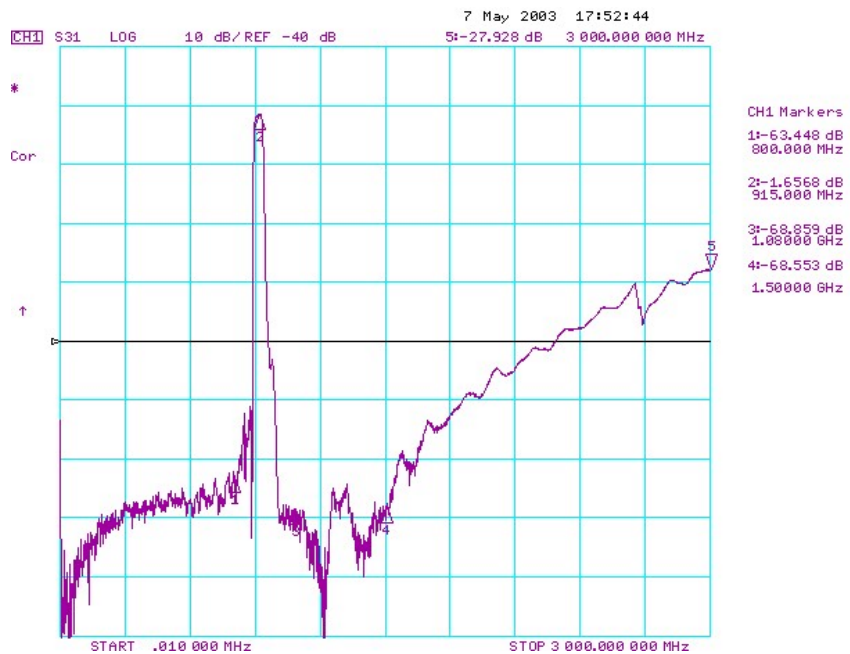
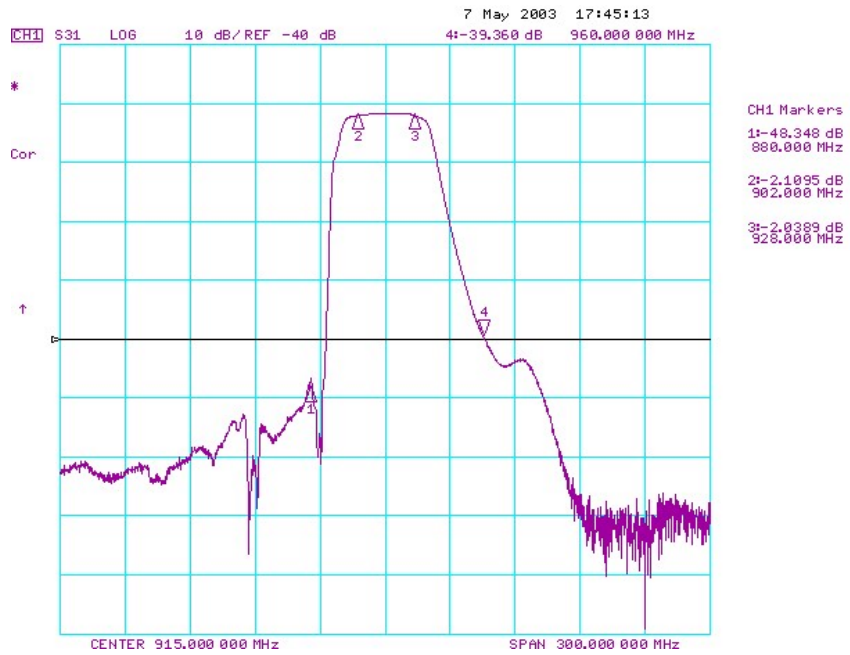
Note1. No matching network required for operation at 50 Ω

MEASUREMENT CIRCUIT:

HP Network analyzer

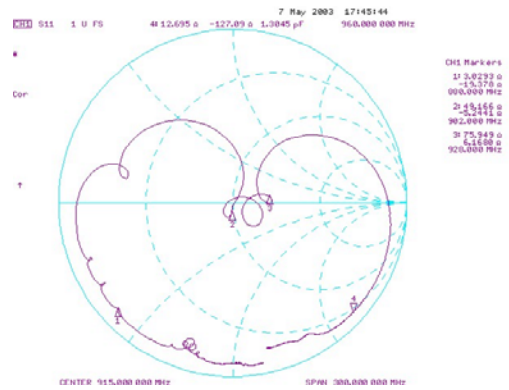
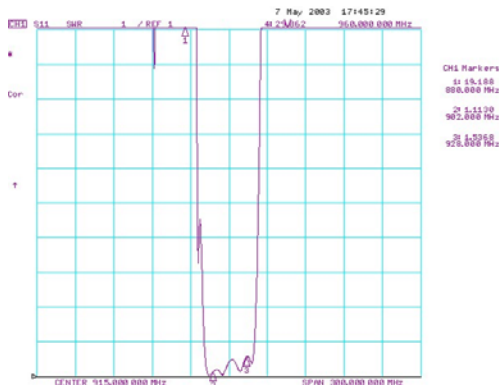


C. Frequency Characteristics :

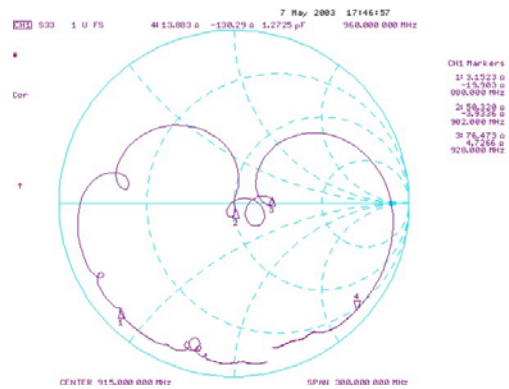
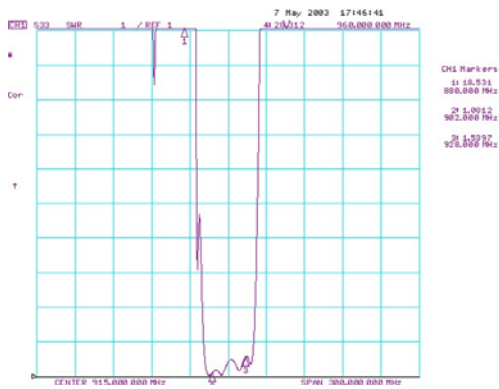


D.Reflections Functions :

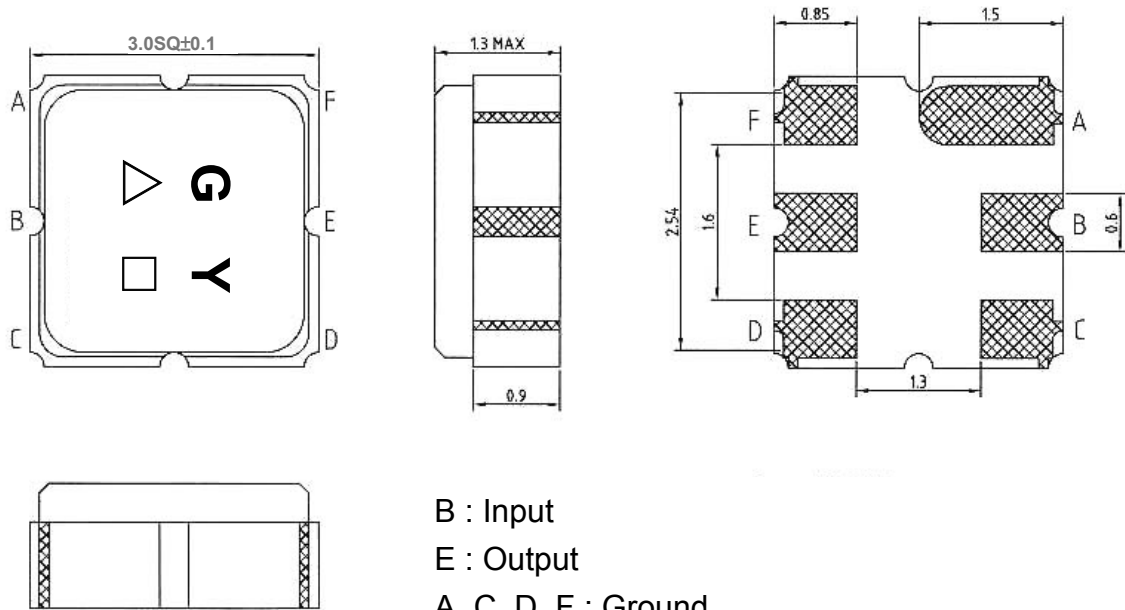
S11:



S22:

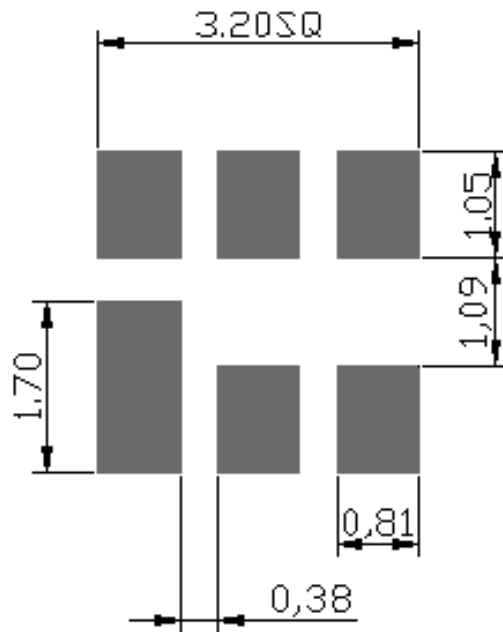


E.OUTLINE DRAWING:



- B : Input
- E : Output
- A, C, D, F : Ground
- △ : Year Code (2006->6, ..., 2009->9)
- : Date Code (Follow the table from planner each year)

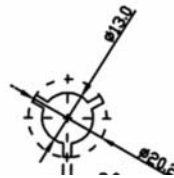
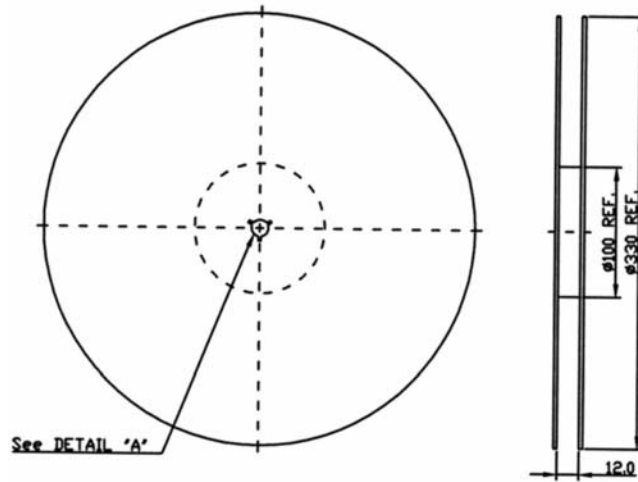
F.PCB Footprint:



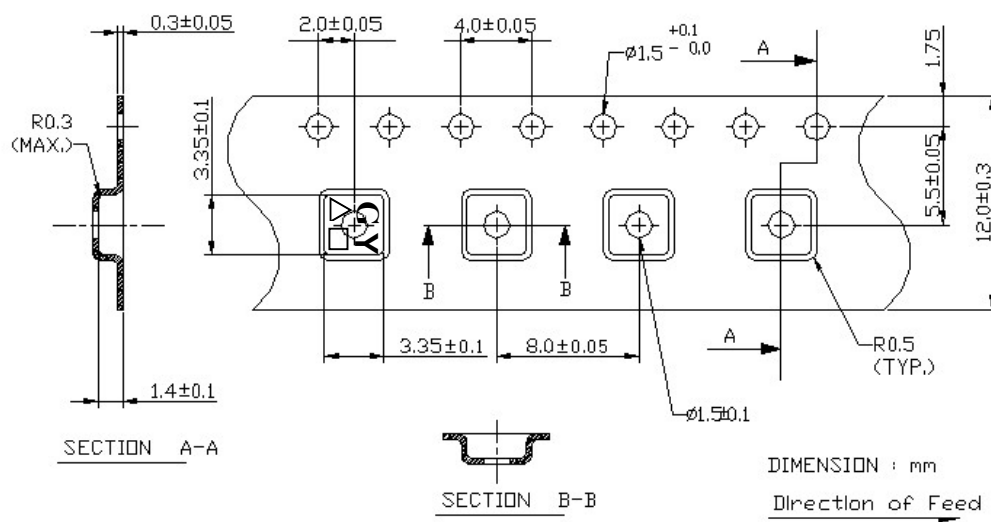
G. PACKING:

1. REEL DIMENSION

(Reel Count : 7"=1000 : 13"=3000)



2. TAPE DIMENSION



H. RECOMMENDED REFLOW PROFILE :

