

# N-Channel Enhancement Mode Power MOSFET

# MTN10N60FP

 **$BV_{DSS} : 650V @ T_j=150^{\circ}C$**  **$R_{DS(ON)} : 0.75 \Omega$**  **$I_D : 10A$** 

## Description

The MTN10N60FP is a N-channel enhancement-mode MOSFET, providing the designer with the best combination of fast switching, ruggedized device design, low on-resistance and cost effectiveness. The TO-220FP package is universally preferred for all commercial-industrial applications

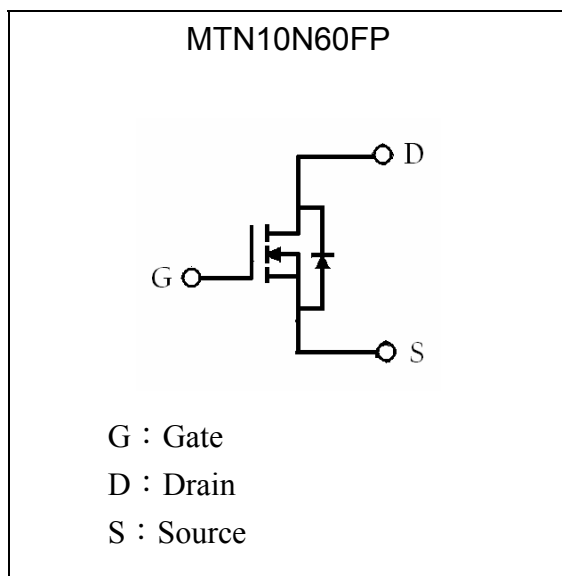
## Features

- $BV_{DSS}=650V$  typically @  $T_j=150^{\circ}C$
- Low On Resistance
- Simple Drive Requirement
- Low Gate Charge
- Fast Switching Characteristic
- RoHS compliant package

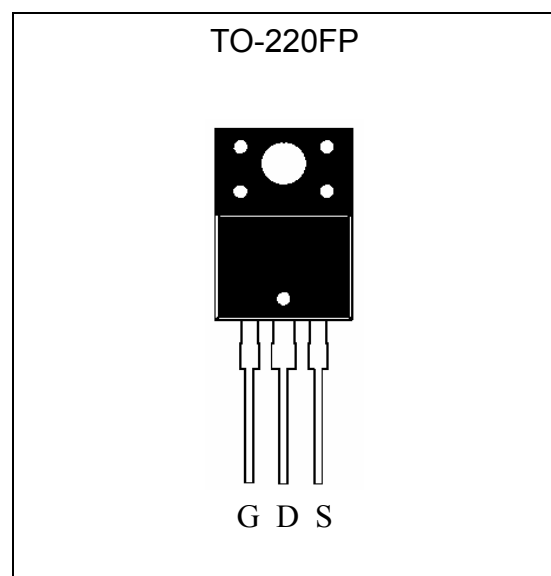
## Applications

- Power Factor Correction
- LCD TV Power
- Full and Half Bridge Power

## Symbol



## Outline



**Absolute Maximum Ratings** ( $T_C=25^{\circ}\text{C}$ )

Parameter	Symbol	Limits	Unit
Drain-Source Voltage (Note 1)	$V_{DS}$	600	V
Gate-Source Voltage	$V_{GS}$	$\pm 30$	V
Continuous Drain Current	$I_D$	10*	A
Continuous Drain Current @ $T_C=100^{\circ}\text{C}$	$I_D$	6	A
Pulsed Drain Current @ $V_{GS}=10\text{V}$ (Note 2)	$I_{DM}$	40*	A
Single Pulse Avalanche Energy @ $L=4.3\text{mH}$ , $I_D=10\text{Amps}$ , $V_{DD}=50\text{V}$	$E_{AS}$	237	mJ
Repetitive Avalanche Energy	$E_{AR}$	5	
Peak Diode Recovery $dv/dt$ (Note 3)	$dv/dt$	3.0	V/ns
Maximum Temperature for Soldering @ Lead at 0.063 in(1.6mm) from case for 10 seconds	$T_L$	300	$^{\circ}\text{C}$
Maximum Temperature for Soldering @ Package Body for 10 seconds	$T_{PKG}$	260	$^{\circ}\text{C}$
Total Power Dissipation ( $T_C=25^{\circ}\text{C}$ )	$P_d$	50	W
Linear Derating Factor		0.4	W/ $^{\circ}\text{C}$
Operating Junction and Storage Temperature	$T_j, T_{stg}$	-55~+150	$^{\circ}\text{C}$

\*Drain current limited by maximum junction temperature

- Note : 1.  $T_J=+25^{\circ}\text{C}$  to  $+150^{\circ}\text{C}$ .  
2. Repetitive rating; pulse width limited by maximum junction temperature.  
3.  $ISD \leq 10\text{A}$ ,  $dI/dt \leq 100\text{A}/\mu\text{s}$ ,  $V_{DD} \leq BVDSS$ ,  $T_J=+150^{\circ}\text{C}$ .

**Thermal Data**

Parameter	Symbol	Value	Unit
Thermal Resistance, Junction-to-case, max	$R_{th,j-c}$	2.5	$^{\circ}\text{C}/\text{W}$
Thermal Resistance, Junction-to-ambient, max	$R_{th,j-a}$	100	$^{\circ}\text{C}/\text{W}$



**Characteristics (Tj=25°C, unless otherwise specified)**

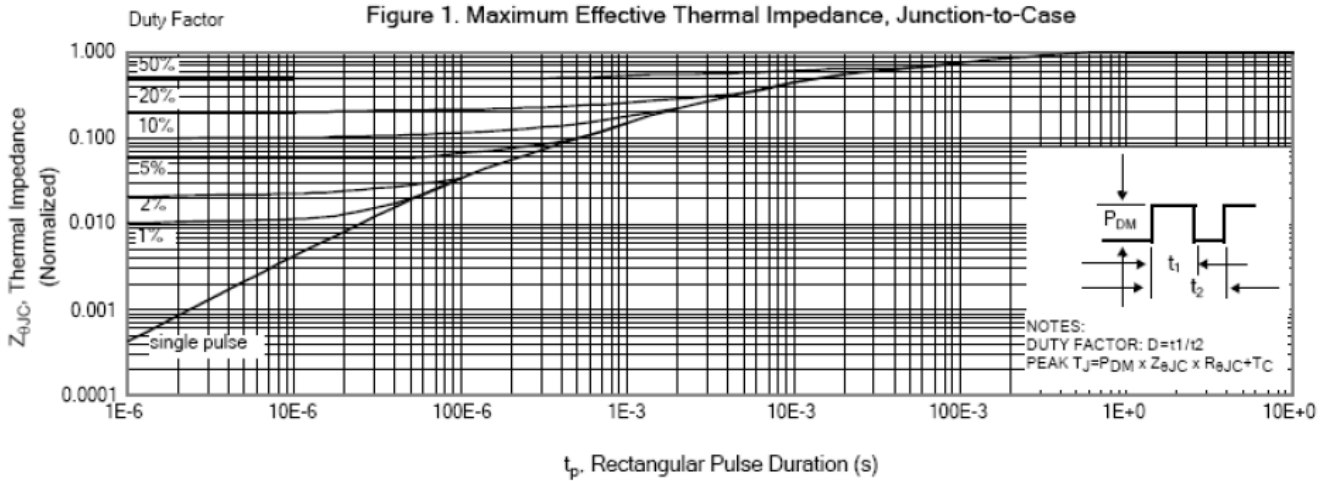
Symbol	Min.	Typ.	Max.	Unit	Test Conditions
<b>Static</b>					
BV <sub>DSS</sub>	600	-	-	V	V <sub>GS</sub> =0, I <sub>D</sub> =250μA
BV <sub>DSS</sub>	-	650	-	V	V <sub>GS</sub> =0, I <sub>D</sub> =250μA, Tj=150°C
ΔBV <sub>DSS</sub> /ΔTj	-	0.631	-	V/°C	Reference to 25°C, I <sub>D</sub> =250μA
BV <sub>DS</sub>	-	700	-	V	V <sub>GS</sub> =0, I <sub>D</sub> =10A
V <sub>GS(th)</sub>	2.0	-	4.0	V	V <sub>DS</sub> = V <sub>GS</sub> , I <sub>D</sub> =250μA
*G <sub>FS</sub>	-	6.8	-	S	V <sub>DS</sub> =15V, I <sub>D</sub> =5A
I <sub>GSS</sub>	-	-	±100	nA	V <sub>GS</sub> =±30
I <sub>DSS</sub>	-	-	25	μA	V <sub>DS</sub> =600V, V <sub>GS</sub> =0
I <sub>DSS</sub>	-	-	250	μA	V <sub>DS</sub> =480V, V <sub>GS</sub> =0, Tj=125°C
*R <sub>DS(ON)</sub>	-	0.65	0.75	Ω	V <sub>GS</sub> =10V, I <sub>D</sub> =6A
<b>Dynamic</b>					
*Q <sub>g</sub>	-	39	-	nC	I <sub>D</sub> =10A, V <sub>DD</sub> =300V, V <sub>GS</sub> =10V
*Q <sub>gs</sub>	-	9.5	-		
*Q <sub>gd</sub>	-	17.6	-		
*t <sub>d(ON)</sub>	-	19	-	ns	V <sub>DD</sub> =300V, I <sub>D</sub> =10A, V <sub>GS</sub> =10V, R <sub>G</sub> =9.1 Ω
*t <sub>r</sub>	-	16	-		
*t <sub>d(OFF)</sub>	-	49	-		
*t <sub>f</sub>	-	16	-		
C <sub>iss</sub>	-	1882	-	pF	V <sub>GS</sub> =0V, V <sub>DS</sub> =25V, f=1MHz
C <sub>oss</sub>	-	170	-		
C <sub>rss</sub>	-	20	-		
<b>Source-Drain Diode</b>					
*V <sub>SD</sub>	-	-	1.5	V	I <sub>S</sub> =10A, V <sub>GS</sub> =0V
*I <sub>S</sub>	-	-	10	A	V <sub>D</sub> =V <sub>G</sub> =0, V <sub>S</sub> =1.3V
*I <sub>SM</sub>	-	-	40		
*t <sub>rr</sub>	-	352	528	ns	V <sub>GS</sub> =0, I <sub>F</sub> =10A, dI/dt=100A/μs
*Q <sub>rr</sub>	-	2.9	4.35	μC	

\*Pulse Test : Pulse Width ≤300μs, Duty Cycle ≤2%

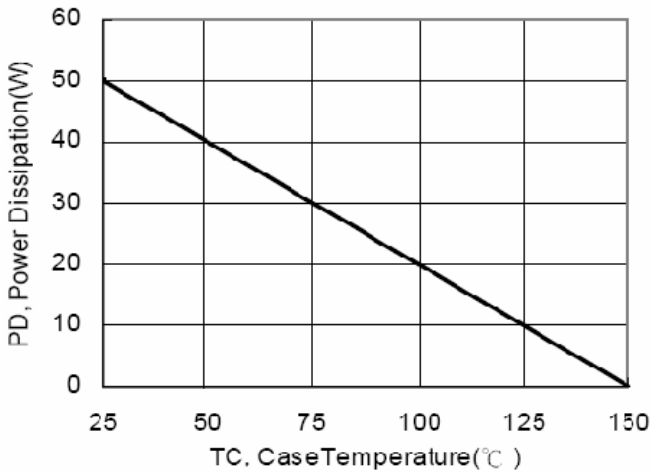
**Ordering Information**

Device	Package	Shipping	Marking
MTN10N60FP	TO-220FP (RoHS compliant)	50 pcs/tube, 20 tubes/box, 4 boxes / carton	10N60

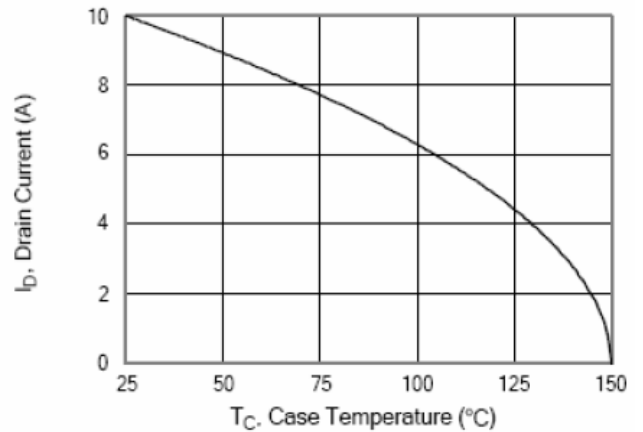
**Characteristic Curves**



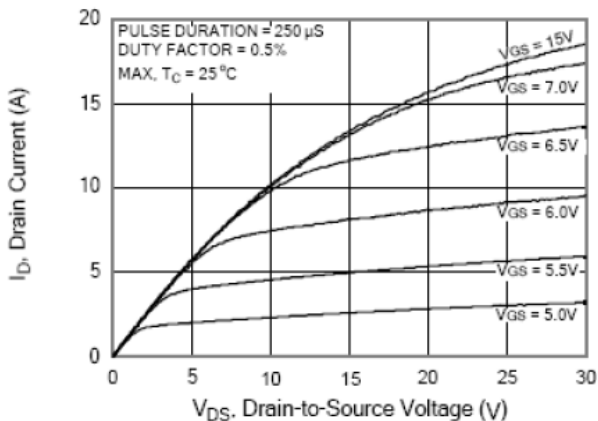
**Figure 2. Maximum Power Dissipation vs Case Temperature**



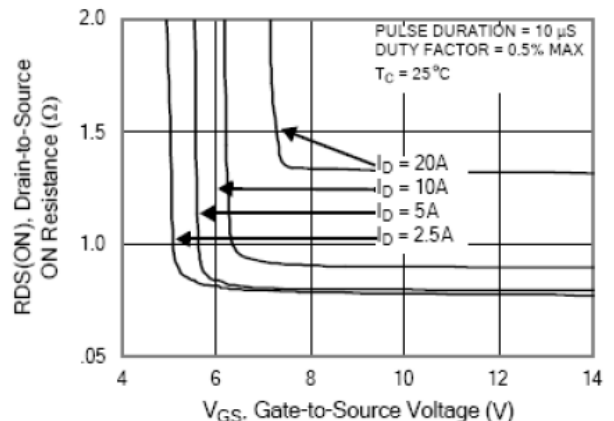
**Figure 3. Maximum Continuous Drain Current vs Case Temperature**



**Figure 4. Typical Output Characteristics**

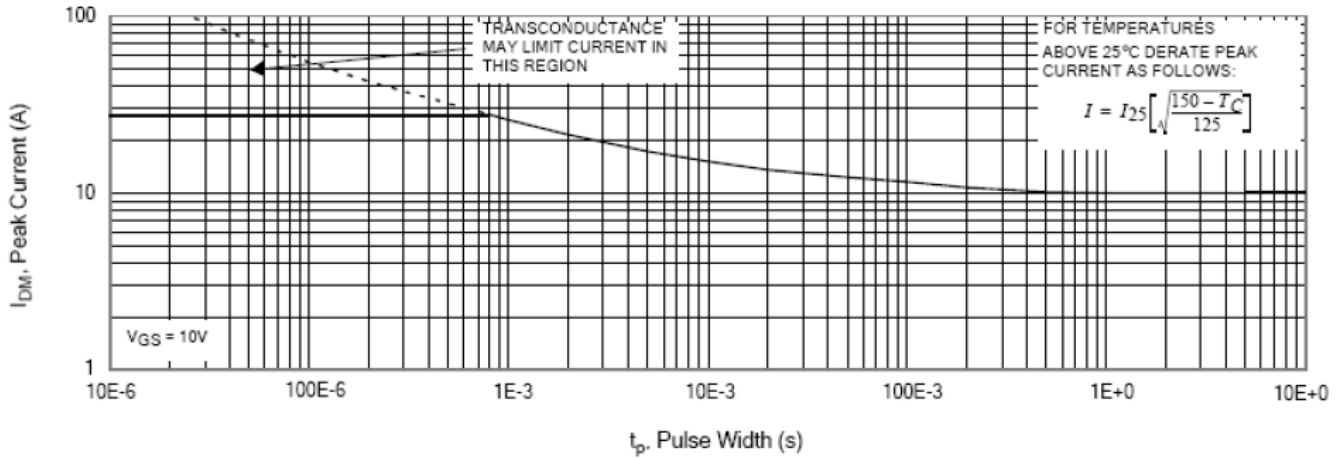


**Figure 5. Typical Drain-to-Source ON Resistance vs Gate Voltage and Drain Current**

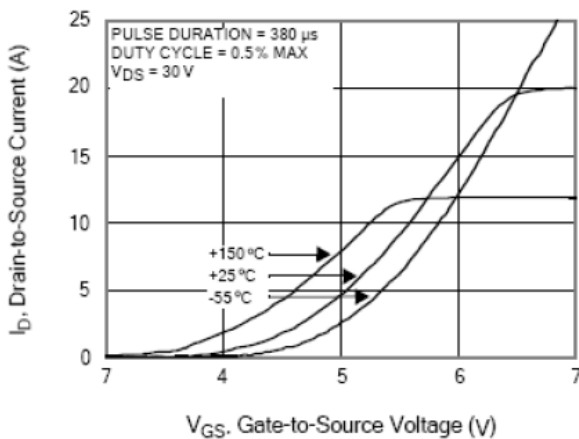


**Characteristic Curves(Cont.)**

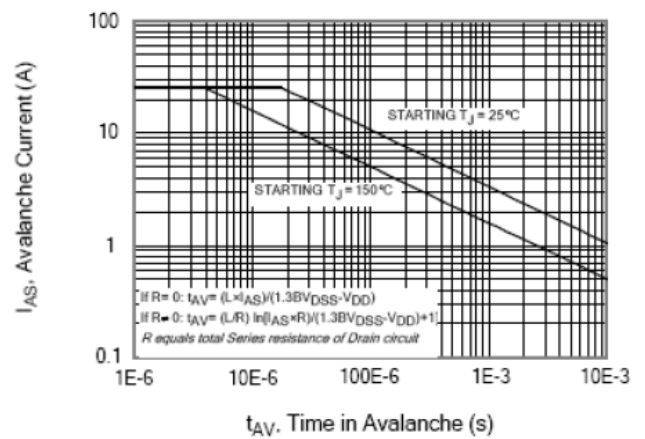
**Figure 6. Maximum Peak Current Capability**



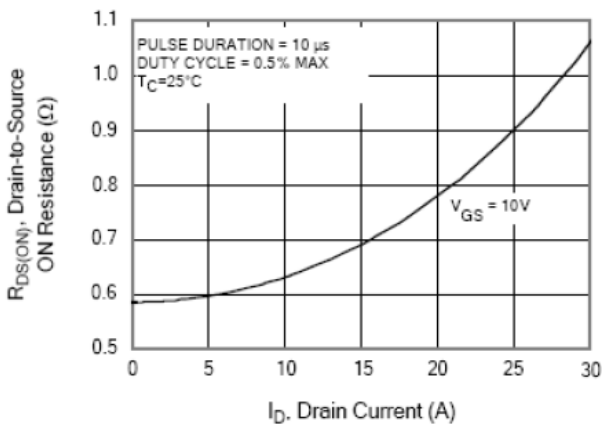
**Figure 7. Typical Transfer Characteristics**



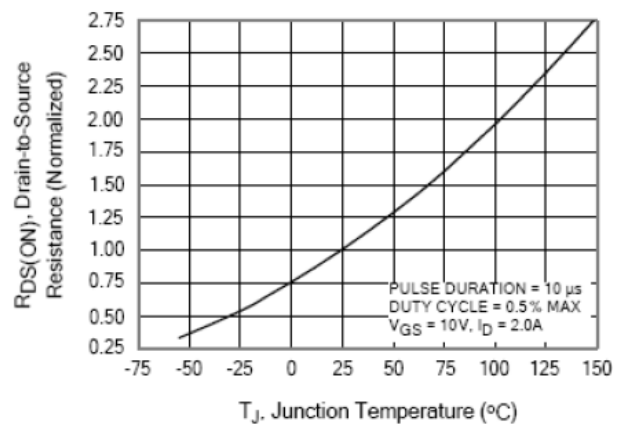
**Figure 8. Unclamped Inductive Switching Capability**



**Figure 9. Typical Drain-to-Source ON Resistance vs Drain Current**

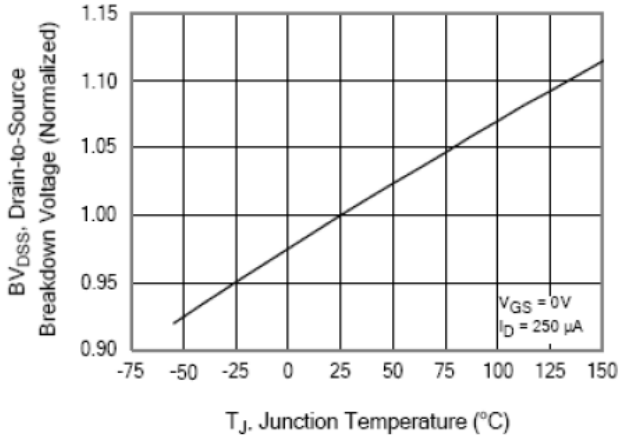


**Figure 10. Typical Drain-to-Source ON Resistance vs Junction Temperature**

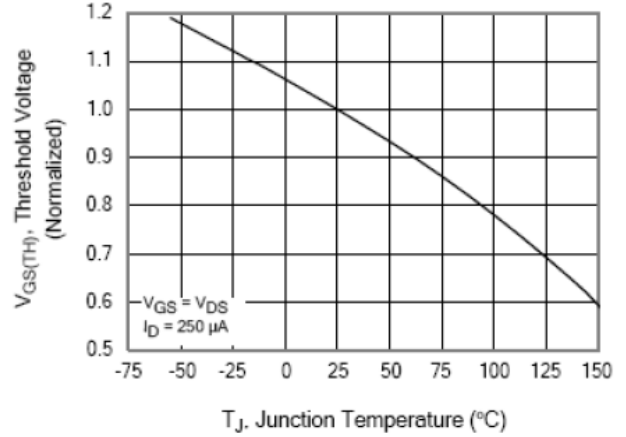


**Characteristic Curves(Cont.)**

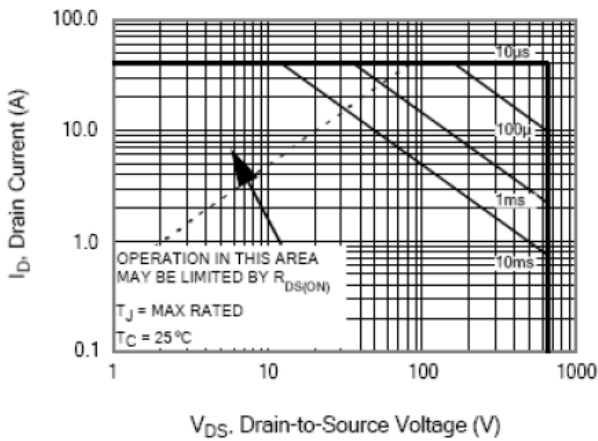
**Figure 11. Typical Breakdown Voltage vs Junction Temperature**



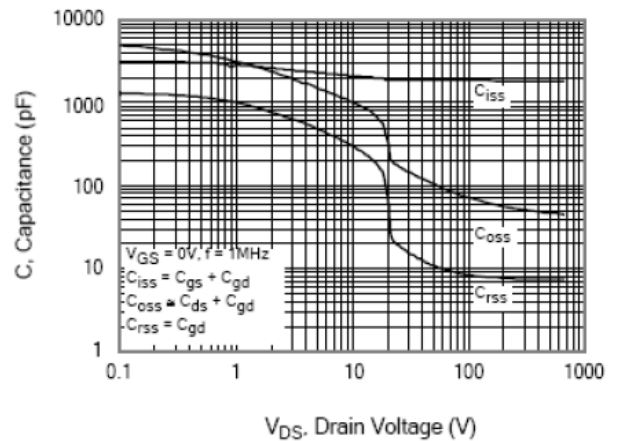
**Figure 12. Typical Threshold Voltage vs Junction Temperature**



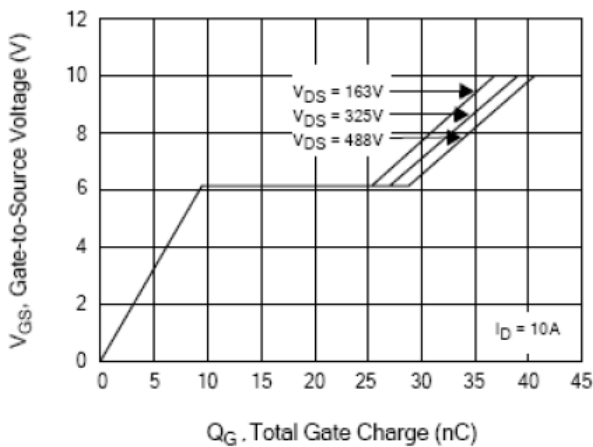
**Figure 13. Maximum Forward Bias Safe Operating Area**



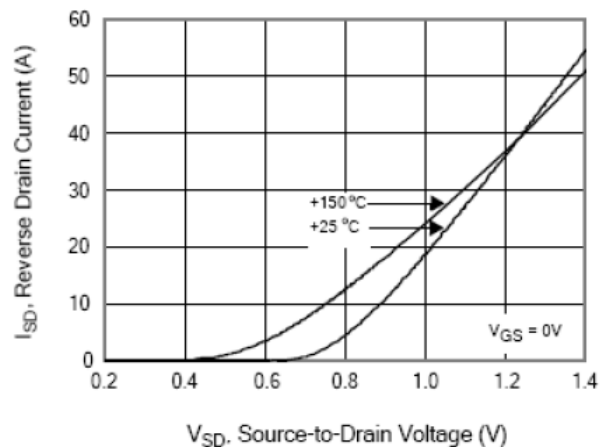
**Figure 14. Typical Capacitance vs Drain-to-Source Voltage**



**Figure 15. Typical Gate Charge vs Gate-to-Source Voltage**



**Figure 16. Typical Body Diode Transfer Characteristics**



**Test Circuit and Waveforms**

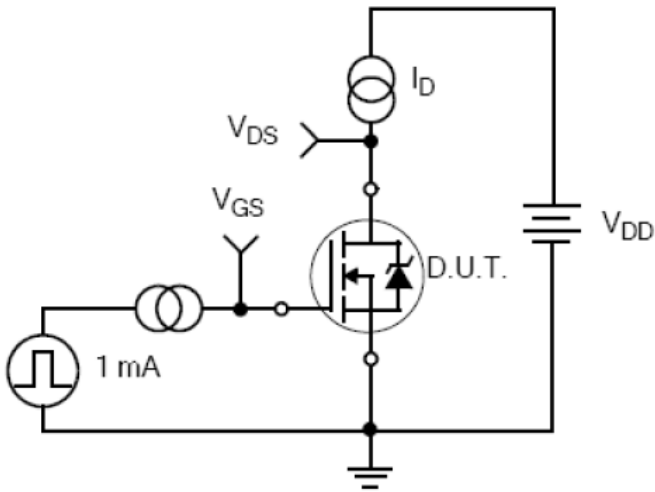


Figure 17. Gate Charge Test Circuit

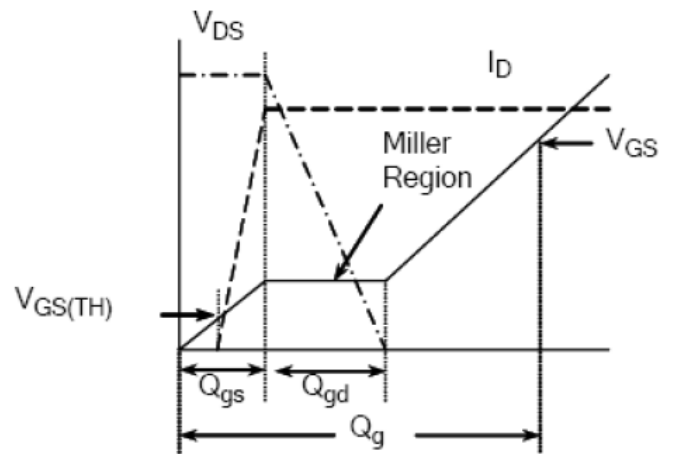


Figure 18. Gate Charge Waveform

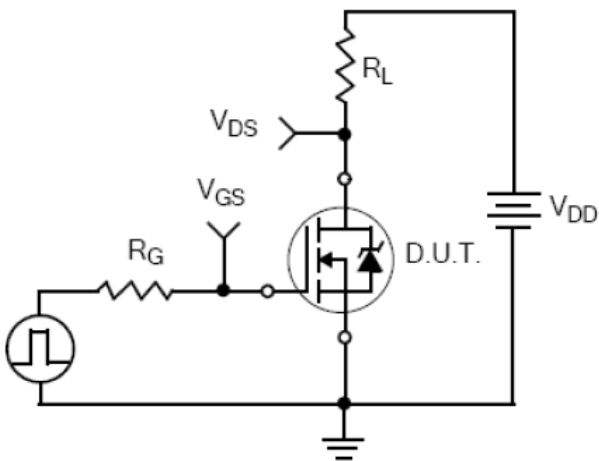


Figure 19. Resistive Switching Test Circuit

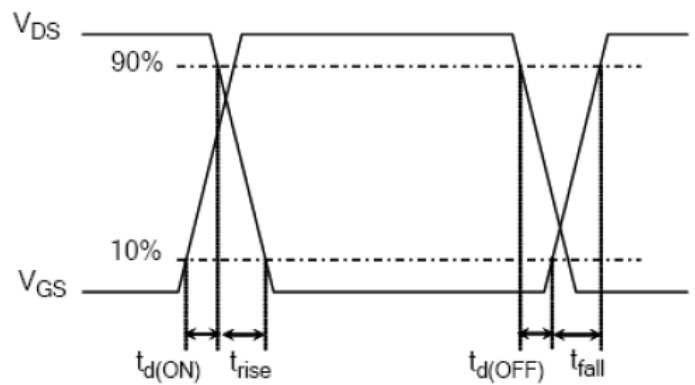


Figure 20. Resistive Switching Waveforms

**Test Circuit and Waveforms(Cont.)**

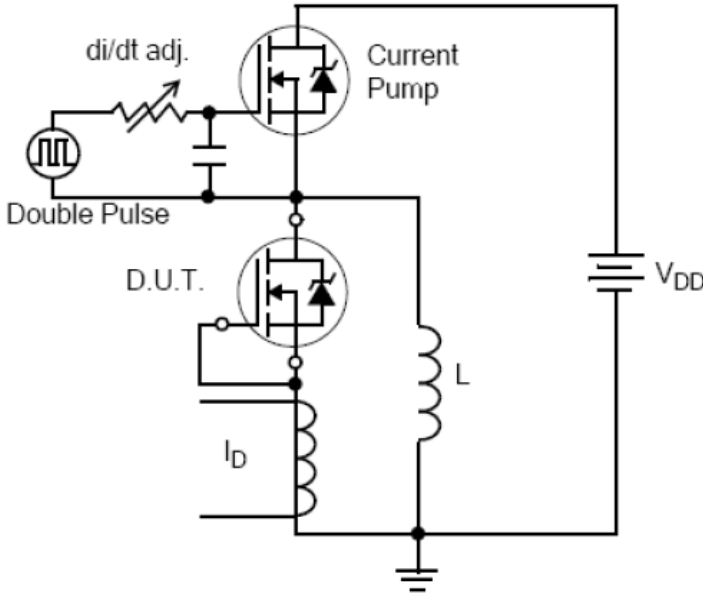


Figure 21. Diode Reverse Recovery Test Circuit

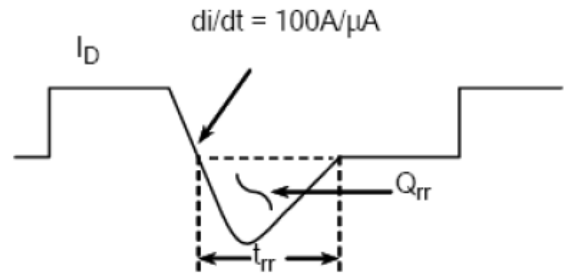


Figure 22. Diode Reverse Recovery Waveform

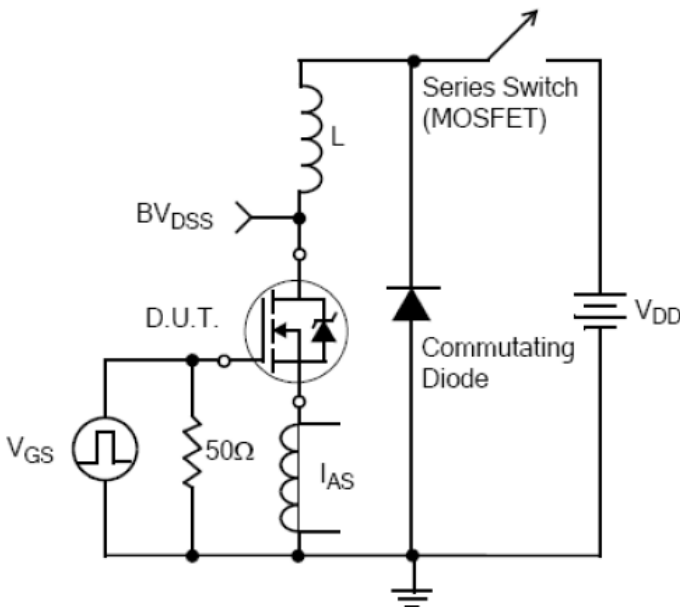


Figure 23. Unclamped Inductive Switching Test Circuit

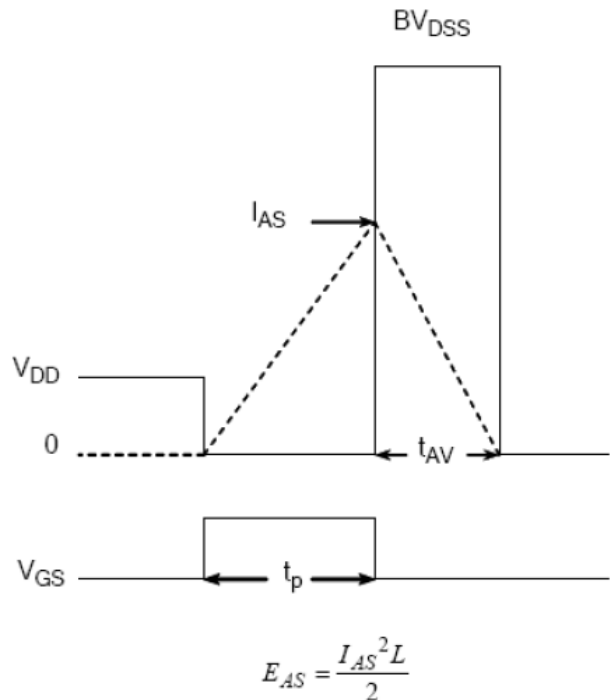
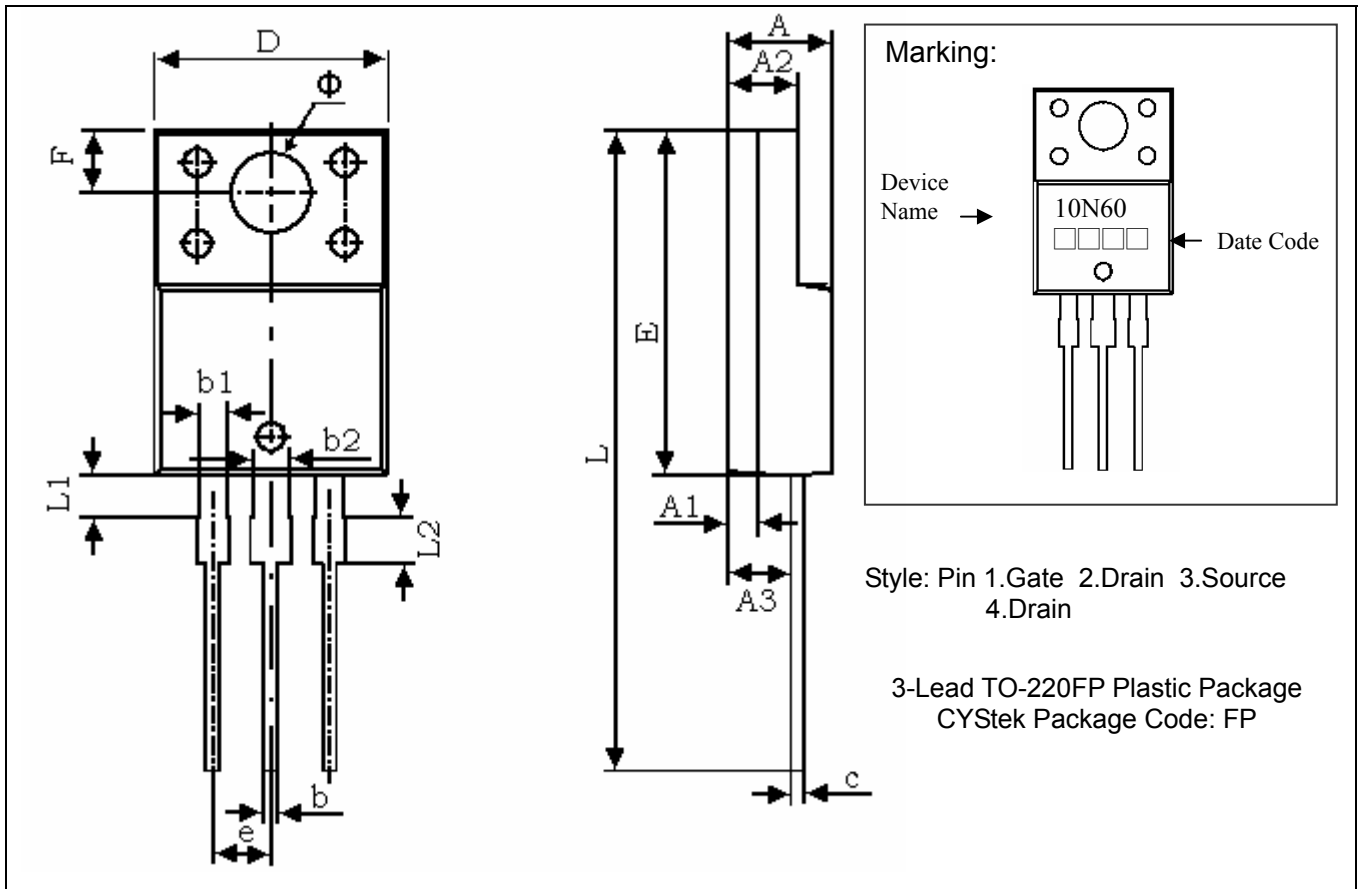


Figure 24. Unclamped Inductive Switching Waveforms



**TO-220FP Dimension**



DIM	Inches		Millimeters		DIM	Inches		Millimeters	
	Min.	Max.	Min.	Max.		Min.	Max.	Min.	Max.
A	0.169	0.185	4.300	4.700	D	0.392	0.408	9.960	10.360
A1	0.051 REF		1.300 REF		E	0.583	0.598	14.800	15.200
A2	0.110	0.126	2.800	3.200	e	0.100 TYP		2.540 TYP	
A3	0.098	0.114	2.500	2.900	F	0.106 REF		2.700 REF	
b	0.020	0.030	0.500	0.750	Φ	0.138 REF		3.500 REF	
b1	0.043	0.053	1.100	1.350	L	1.102	1.118	28.000	28.400
b2	0.059	0.069	1.500	1.750	L1	0.067	0.075	1.700	1.900
c	0.020	0.030	0.500	0.750	L2	0.075	0.083	1.900	2.100

**Notes:** 1.Controlling dimension: millimeters.  
 2.Maximum lead thickness includes lead finish thickness, and minimum lead thickness is the minimum thickness of base material.  
 3.If there is any question with packing specification or packing method, please contact your local CYStek sales office.

**Material:**

- Lead: KFC ; pure tin plated
- Mold Compound: Epoxy resin family, flammability solid burning class: UL94V-0

**Important Notice:**

- All rights are reserved. Reproduction in whole or in part is prohibited without the prior written approval of CYStek.
- CYStek reserves the right to make changes to its products without notice.
- CYStek **semiconductor products are not warranted to be suitable for use in Life-Support Applications, or systems.**
- CYStek assumes no liability for any consequence of customer product design, infringement of patents, or application assistance.