

## 700mA PWM Fan Motor Driver

### DESCRIPTION

EUM6189A is designed specifically for electronic commutation of single coil brushless DC motor applications. It is intended to be used as an interface between a HALL IC and a single coil motor. The functions built in EUM6189A are soft switched drive mode, PWM speed control mode, fan tachometer, lock detection, automatic restart and thermal shut-down.

Soft switched drive mode makes the output signal gentle when the amplitude of HALL signal is small. Oppositely, it makes the output signal steep when the amplitude of HALL signal is big. PWM speed control mode makes EUM6189A possible to change motor rotation speed by switching upper side power device. If the motor is stalled by external force or obstacles, overdrive current may incur coil overheat/burning. To prevent this, lock detection circuit can shut down the driver for 5 seconds after motor lockup. Then automatic restart circuit will try to power up the driver for 500ms every 5 seconds.

EUM6189A has FG output.

### FEATURES

- Single-Phase Full-Wave driver System
- Soft switched drive
- PWM speed control mode
- Lock detection, Automatic restart
- Tachometer Output  
FG output
- Thermal Shutdown Protection
- Available in MSOP-8 Package
- RoHS Compliant and 100% Lead (Pb)-Free

### APPLICATIONS

- NB FAN Motor

### Application Circuit and Block Diagram

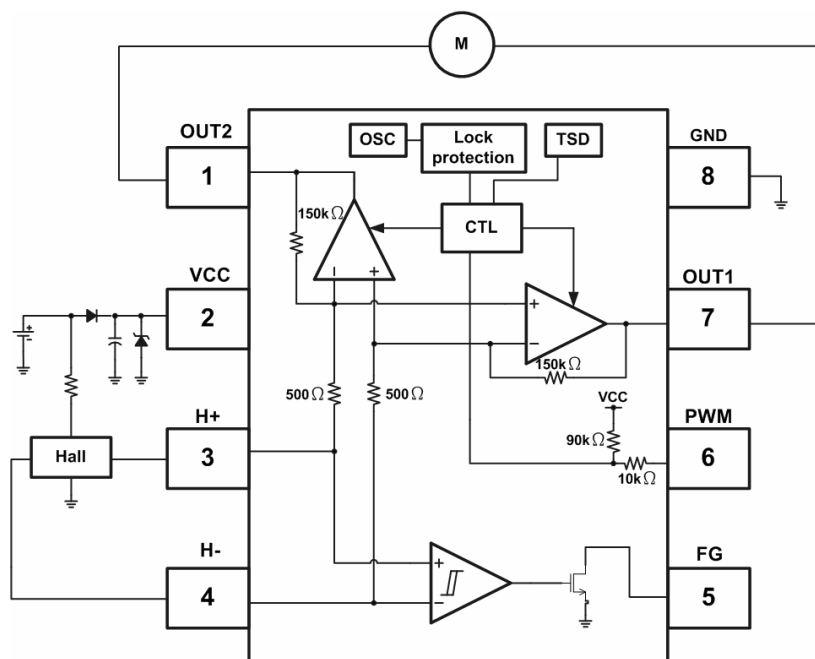


Figure 1. Application Circuit and Block Diagram