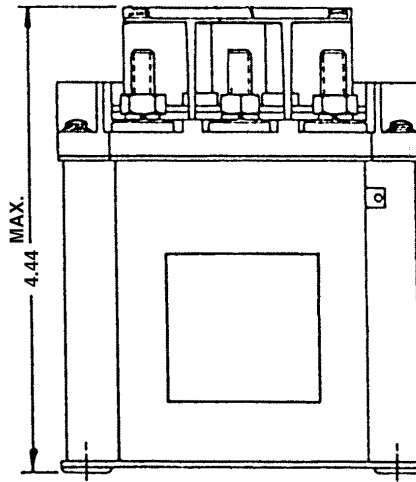
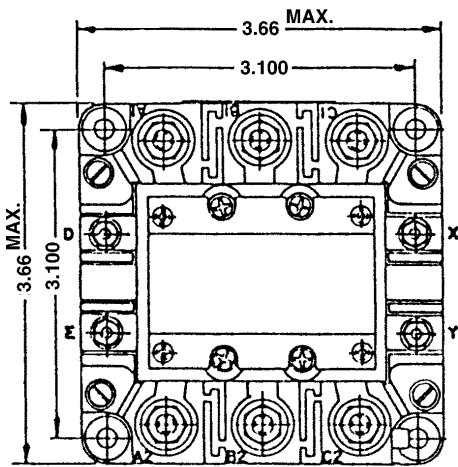


B-312D-1 3PST N.O., 175 Amps, 120/208 VAC, 50/60 Hz



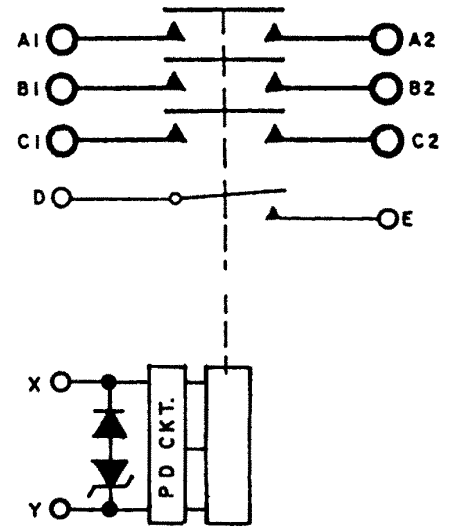
Features:

- 3PST N.O. Main Contacts
- Transient Suppression
- 120/208 VAC, 50/60 Hz
- 175 Amps
- High Reliability
- Meets many requirements of MIL-R-6106



Dimensions for this product are expressed in inches. Multiply values by 25.4 for millimeters.

CONTACTOR CONFIGURATION



PRODUCT SPECIFICATIONS

Construction	Gasket Sealed, Vented
Main Contacts:	
Configuration	3PST N.O.
Voltage (Nominal)	120/208 VAC, 47.5 - 63 Hz
Current (Resistive)	175 Amps
Auxiliary Contacts:	
Configuration	SPST N.O.
Voltage (Nominal)	115 VAC, 50/60 Hz
Current (Resistive)	5 Amps
Coil Data:	
Duty Cycle	Continuous
Voltage (Nominal)	26 VDC
Pick-Up Voltage	18 VDC Maximum
Drop-Out Voltage	1 - 7 VDC
Coil Current @ 28 VDC & +25°C	
In-Rush	5.8 Amps Maximum
Hold	0.5 Amps Maximum
Operating Temperature	-55°C to +71°C
Life:	
Electrical	30,000 Cycles
Mechanical	100,000 Cycles
Weight	2 Lbs. 8 Oz.

Notes:

For factory-direct application assistance, contact the HARTMAN product team at (419) 521-9500, Fax (419) 526-2749.

© 2004 by Tyco Electronics Corporation. All Rights Reserved. HARTMAN and TYCO are trademarks.

Catalog (web doc only)
Revised 5-04

www.tycoelectronics.com

Dimensions are in inches and millimeters unless otherwise specified. Values in brackets are metric equivalents.

Dimensions are shown for reference purposes only. Specifications subject to change.

USA: 1-800-522-6752
Canada: 1-905-470-4425
Mexico: 01-800-733-8926
C. America: 52-55-5-729-0425

South America: 55-11-3611-1514
Hong Kong: 852-2735-1628
Japan: 81-44-844-8013
UK: 44-141-810-8967