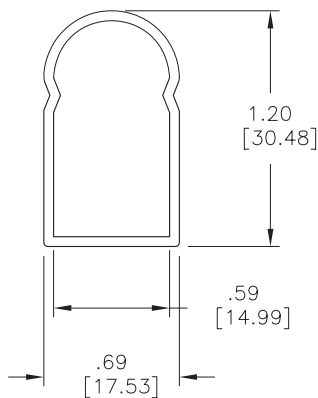
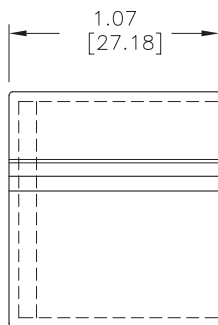


LTR	REVISION	DATE	APPD
-	RELEASED	11-25-08	NJL



ENDCAP CONNECTOR



NOTES:

MATERIAL: PVC, UV PROTECTED  
 COLOR: WHITE/TRANSPARENT  
 INDOOR/OUTDOOR USE.

REVISION NOTIFICATION	
<input type="checkbox"/>	PMA
<input type="checkbox"/>	UL
<input type="checkbox"/>	CUSTOMER _____
<input type="checkbox"/>	OTHER

**LED**<sup>®</sup>  
 LEDTRONICS,™ INC.  
 23105 KASHIWA COURT  
 TORRANCE, CA 90505

**-PROPRIETARY-**  
 This document contains Proprietary information of LEDTRONICS,™ INC. It may not be copied, used or disclosed for any purpose without the prior express written consent of LEDTRONICS,™ INC.

.XXX ± .010 TOLERANCE PER ANSI-Y14.5  
 .XX ± .025 (UNLESS OTHERWISE STATED)  
 ANGLES ± 0°,30'  
 FRACT. ± 1/32

TITLE							
<b>RNLD04U-009</b>							
DWG NO		SCALE		SHEET		DATE	
RL04014-REC		1:1		1 OF 1		11-25-08	
CODE IDENT NO.	DWG BY	CHK BY	QA	MFG	CUSTOMER		
8Z410	NJL	PL	12-01-08				