

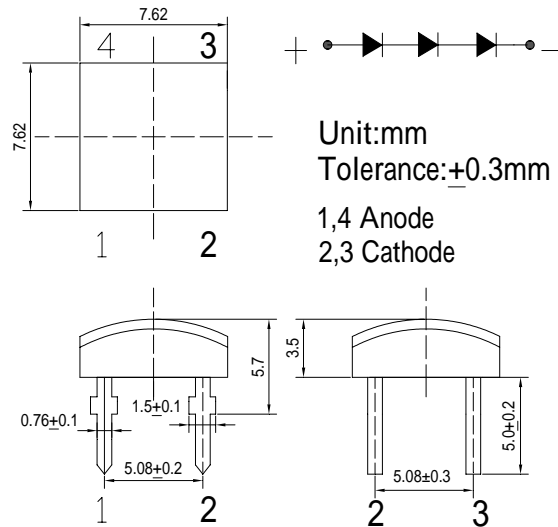
### ■Features

- High Luminous Super Flux Output
- Superior Weather-resistance
- UV Resistant Epoxy
- Long Lifetime Operation
- Water Clear Type

### ■Applications

- General Purpose Indicators
- Small Area Illuminations
- Back Lighting
- Other Lighting

### ■Outline Dimension



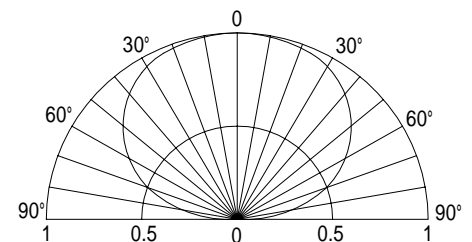
### ■Absolute Maximum Rating

(Ta=25 °C)

Item	Symbol	Value	Unit
DC Forward Current	I <sub>F</sub>	50	mA
Pulse Forward Current*	I <sub>FP</sub>	100	mA
Reverse Voltage	V <sub>R</sub>	15	V
Power Dissipation	P <sub>D</sub>	450	mW
Operating Temperature	T <sub>opr</sub>	-30 ~ +85	
Storage Temperature	T <sub>stg</sub>	-40 ~ +100	
Lead Soldering Temperature	T <sub>sol</sub>	260 / 5sec	-

\*Pulse width Max.10ms , Duty ratio max 1/10

### ■Directivity



### Electrical -Optical Characteristics

(Ta=25 °C)

Item	Symbol	Condition	Min.	Typ.	Max.	Unit
DC Forward Voltage	V <sub>F</sub>	I <sub>F</sub> =30mA	8.9	9.3	10.8	V
DC Reverse Current	I <sub>R</sub>	V <sub>R</sub> =15V	-	-	10	μA
Luminous Flux*	v	I <sub>F</sub> =30mA	-	30	-	lm
Color Temperature	CCT	I <sub>F</sub> =30mA	-	6500	-	K
Chromaticity Coordinates*	x	I <sub>F</sub> =30mA	-	0.31	-	
	y	I <sub>F</sub> =30mA	-	0.33	-	
50% Power Angle	2θ <sub>1/2</sub>	I <sub>F</sub> =30mA	-	140	-	deg

\*1 Tolerance of chromaticity coordinates is ±10%

\*2 Tolerance of luminous intensity is ±15%