

LTS455_W & LTS450_W Series Ceramic Filter

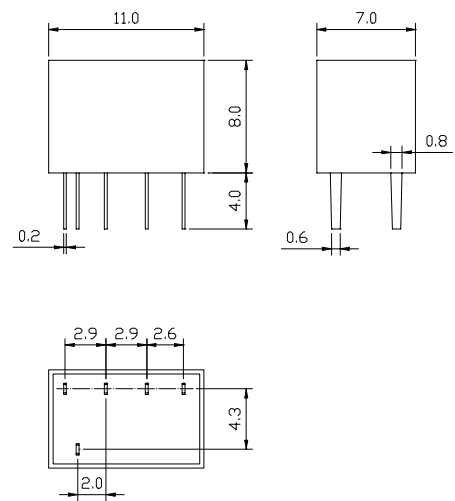
LTS455_W and LTS450_W series ceramic filters are widely used in telecommunication, cable, radar, TV set, tape recorder, video camera and other electronic products due to its lower price and stable performances.

LTS455_W
LTS450_W

Specifications:

Frequency Range(fc):		
LTS455_W Series:	455KHz ± 2.0KHz	
LTS450_W Series:	450KHz ± 2.0KHz	
Operating Temperature:		
	-20°C ~ +80°C Standard	
Storage Temperature:		
	-40°C ~ +85°C	
6dB / 50dB Bandwidth / Stopband attenuation @ ±100KHz:		
B:	± 15KHz min ± 30KHz max	45dB min
C:	± 12.5KHz ± 24KHz	45dB
D:	± 10.0KHz ± 20KHz	45dB
E:	± 7.5KHz ± 15.0KHz	45dB
F:	± 6.0KHz ± 12.5KHz	45dB
G:	± 4.5KHz ± 10.0KHz	45dB
H:	± 3.0KHz ± 9.0KHz	45dB
I:	± 2.0KHz ± 7.5KHz	45dB
HT:	± 3.0KHz ± 9.0KHz	60dB
IT:	± 2.0KHz ± 7.5KHz	60dB
Passband Ripple:		
	2.0dB max	
Insertion Loss:		
	4.0dB max (B,C,D)	
	6.0dB max (E,F,G,H,I,HT,IT)	
Input/Output Impedance:		
	1.5KΩ (B,C,D,E)	
	2.0KΩ (F,G,H,I,HT,IT)	

LTS_W Series



All dimensions are in mm

Note:

1. Other frequencies, bandwidth ranges available. Consult VTC Support for specific requirements.
2. Not all combinations of the above bandwidth ranges are available. Consult VTC Support if your requirement is not standard.
3. All specifications subject to change without notice.

Ordering Information

Product name + Frequency + Bandwidth Code.

i.e. LTS455BW