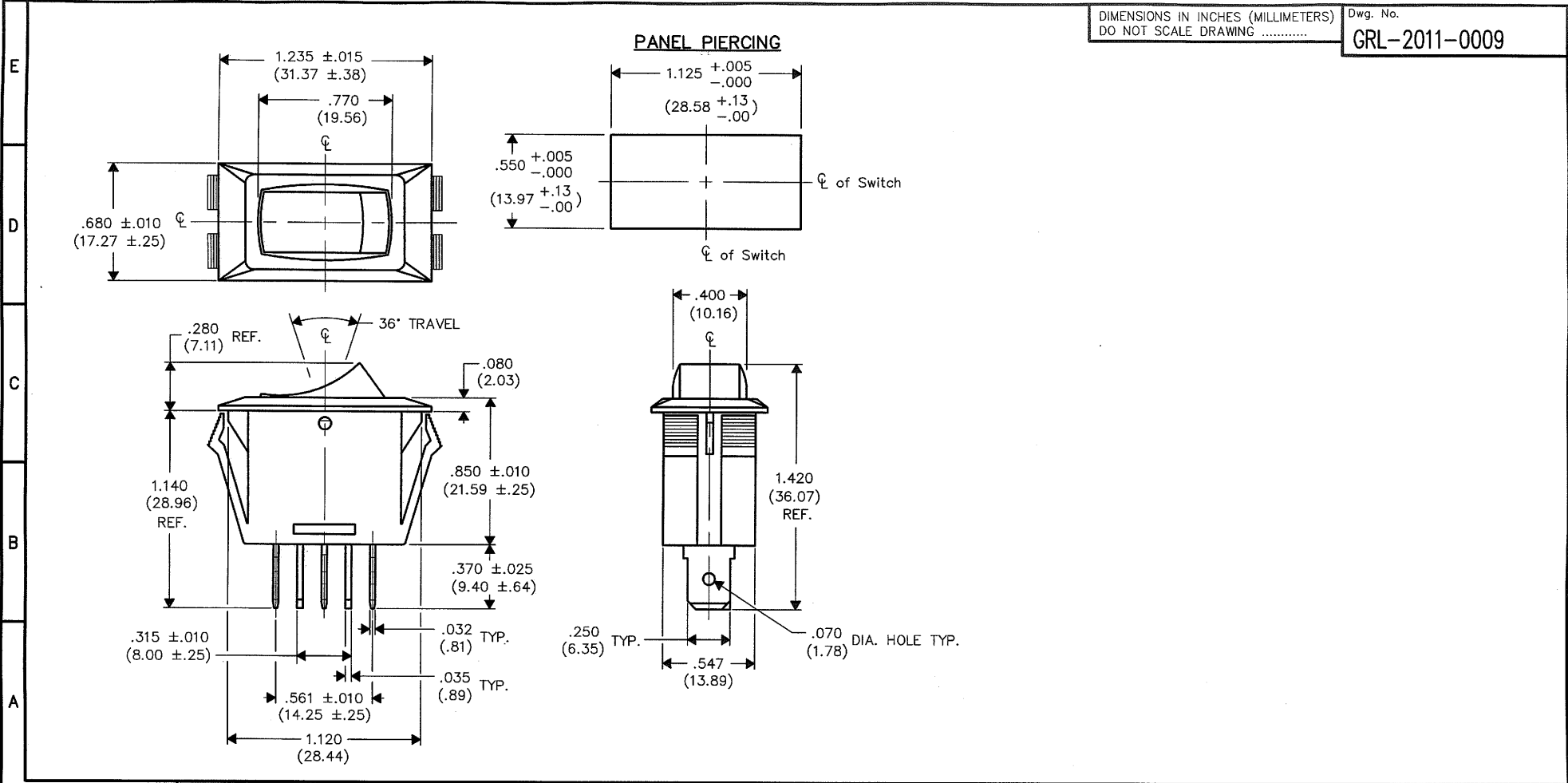


DIMENSIONS IN INCHES (MILLIMETERS)  
DO NOT SCALE DRAWING .....

Dwg. No.  
**GRL-2011-0009**



B-FORMAT 2002 <b>REVISIONS</b> 0 RELEASED. DGW 8-12-2008 <b>AUG 15 2008</b>	1	2	3	4	5	6	7	8	9	10																																								
	<table border="1" style="width: 100%;"> <tr> <td rowspan="4" style="writing-mode: vertical-rl; transform: rotate(180deg);">PDF FILE MADE</td> <td colspan="2" style="text-align: center;"><b>CW INDUSTRIES</b> Southampton, Pa. 18966</td> <td colspan="2">Title: <b>ROCKER SWITCH S.P./S.T.</b></td> </tr> <tr> <td colspan="4" style="text-align: center;">TOLERANCES UNLESS OTHERWISE SPECIFIED</td> </tr> <tr> <td>2 Place Decimal ±.010</td> <td colspan="2">METRIC</td> <td></td> </tr> <tr> <td>3 Place Decimal ±.005</td> <td>1 Place Dec. ±.25mm</td> <td colspan="2"></td> </tr> <tr> <td>Angles ..... ±1°</td> <td colspan="2">2 Place Dec. ±.13mm</td> <td colspan="2"></td> </tr> <tr> <td>Made for: CW IND.</td> <td colspan="2">Division: <b>SWITCH</b></td> <td colspan="3"></td> </tr> <tr> <td>Drawn by: DGW 8-12-2008</td> <td colspan="2">Dwg. No. <b>GRL-2011-0009</b></td> <td colspan="3"></td> </tr> <tr> <td>Checked by: <i>G. Guld 8-14-08</i></td> <td colspan="2">Approval: <i>G. Guld 8-14-08</i></td> <td colspan="3"></td> </tr> </table>										PDF FILE MADE	<b>CW INDUSTRIES</b> Southampton, Pa. 18966		Title: <b>ROCKER SWITCH S.P./S.T.</b>		TOLERANCES UNLESS OTHERWISE SPECIFIED				2 Place Decimal ±.010	METRIC			3 Place Decimal ±.005	1 Place Dec. ±.25mm			Angles ..... ±1°	2 Place Dec. ±.13mm				Made for: CW IND.	Division: <b>SWITCH</b>					Drawn by: DGW 8-12-2008	Dwg. No. <b>GRL-2011-0009</b>					Checked by: <i>G. Guld 8-14-08</i>	Approval: <i>G. Guld 8-14-08</i>				
	PDF FILE MADE	<b>CW INDUSTRIES</b> Southampton, Pa. 18966		Title: <b>ROCKER SWITCH S.P./S.T.</b>																																														
		TOLERANCES UNLESS OTHERWISE SPECIFIED																																																
2 Place Decimal ±.010		METRIC																																																
3 Place Decimal ±.005		1 Place Dec. ±.25mm																																																
Angles ..... ±1°	2 Place Dec. ±.13mm																																																	
Made for: CW IND.	Division: <b>SWITCH</b>																																																	
Drawn by: DGW 8-12-2008	Dwg. No. <b>GRL-2011-0009</b>																																																	
Checked by: <i>G. Guld 8-14-08</i>	Approval: <i>G. Guld 8-14-08</i>																																																	

**MASTER**