



Data Sheet



Product Category: IF SAW Filter

Part Number	Package	Application	Last Modified
816-IF43.75M-A	16.3 x 6.3 Thru Hole	Digital CableTV	Jan. 01, 2007

TYPE :

43.75 MHz IF SAW Filter for Digital Cable TV

PART NUMBER :

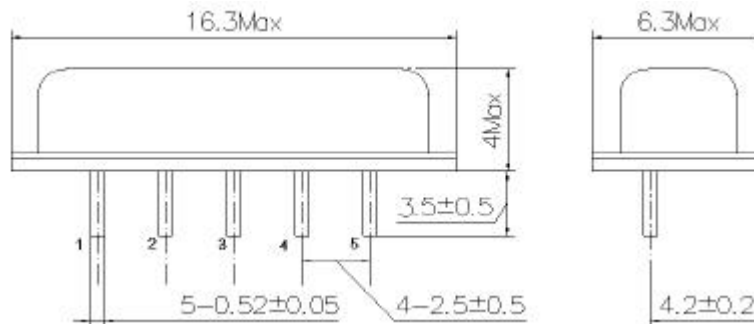
816-IF43.75M-A



OPERATING CONDITIONS / ELECTRICAL CHARACTERISTICS

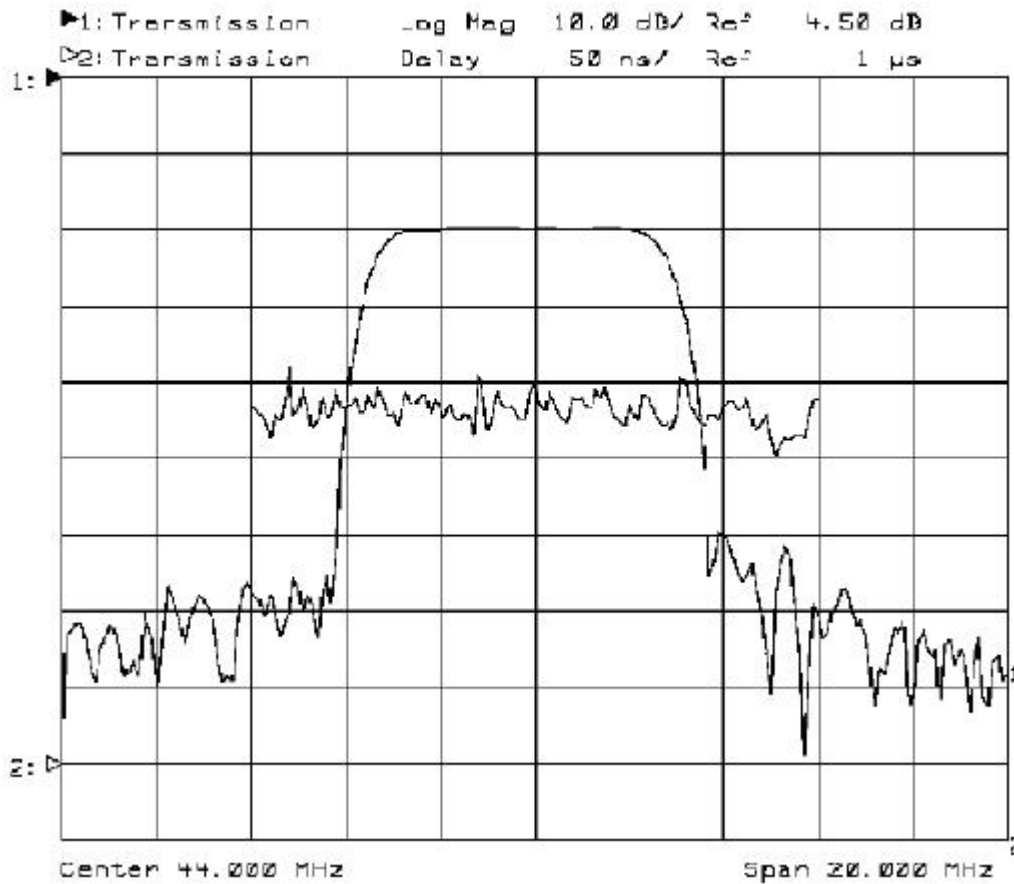
PARAMETERS	Minimum	Typical	Maximum	Units
Center Frequency (Fo)	-	43.75	-	MHz
Insertion Loss Fo	-	15.0	17.0	dB
Operating Temperature Range	-20	-	+70	C
Storage Temperature Range	-40	-	+85	C
Temperature Coefficient	-	-72	-	ppm/C
Bandwidth at 3.0 dB	-	6.0	-	MHz
Bandwidth at 30.0 dB	-	7.6	-	MHz
Attenuation: (Ref.: 43.75MHz)	-			
41.22 MHz	-0.7	0.3	1.3	dB
46.28 MHz	-0.8	0.2	1.2	dB
40.75 MHz	1.5	2.5	3.5	dB
43.75 MHz (Reference frequency)	-	0	-	dB
46.75 MHz	1.5	2.5	3.5	dB
39.75 MHz	38	43	-	dB
47.75 MHz	38	42	-	dB
Relative Attenuation	-			
From 35.00 to 39.0 MHz	42	45	-	dB
From 39.0 to 39.75 MHz	37	41	-	dB
From 47.75 to 50.0 MHz	37	40	-	dB
From 50.0 to 55.0 MHz	42	45	-	dB
Group Delay Variation	-	40	-	ns
Maximum DC Voltage	-	10V DC	-	VDC

PACKAGE OUTLINE (mm)



Pin Descriptions: 1=In 2=In/Ground 3=Ground 4,5= Output

FREQUENCY RESPONSE



Oscilent Corporation - CALL 949.252.0522
18195 East McDermott Street . Building D . Irvine . CA 92614 . USA
Fax: 949.252.0599 . E-Mail: Sales@Oscilent.com

Part No.: 816-IF43.75M-A