

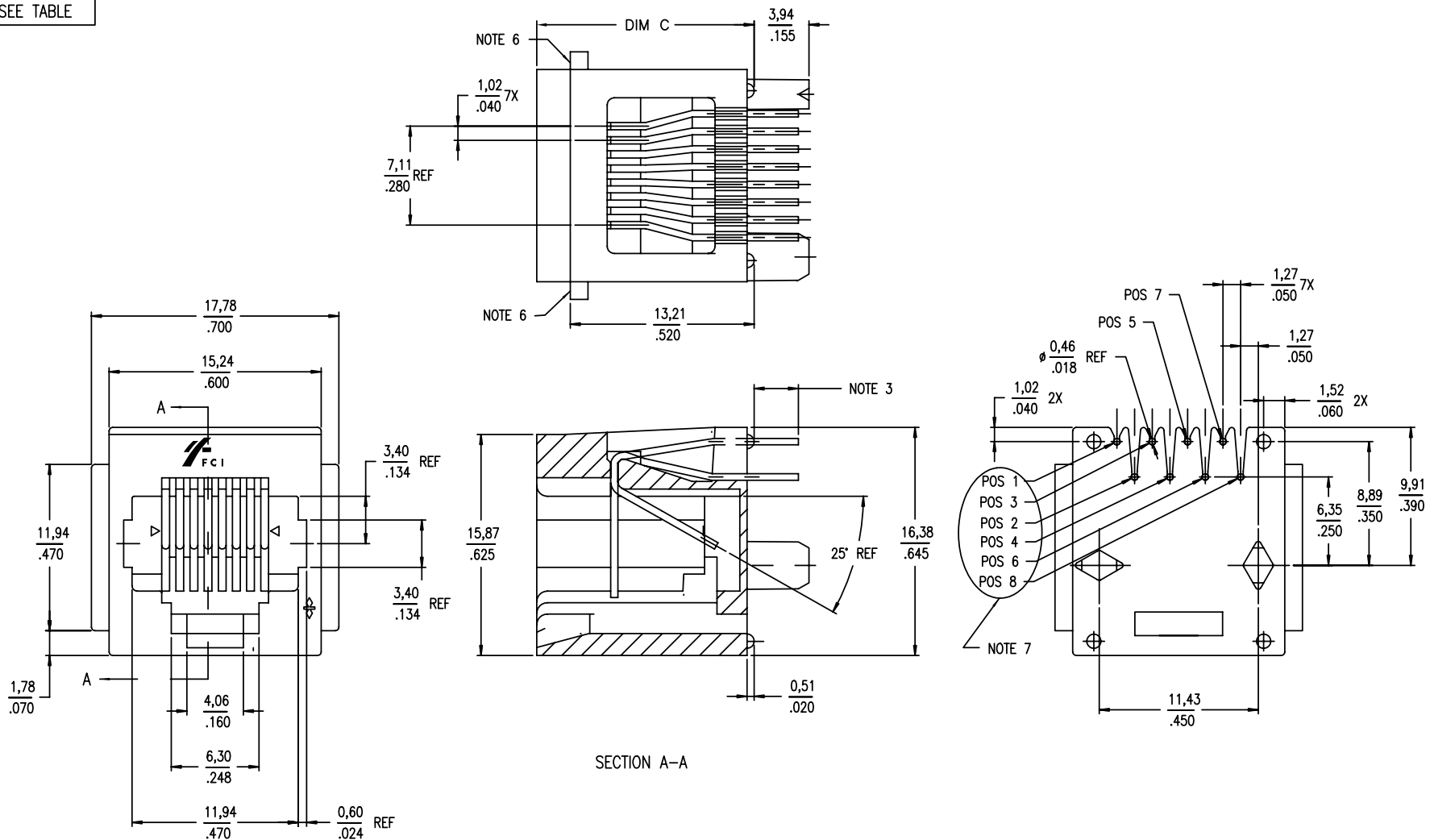
PRODUCT NO.

SEE TABLE

Tous droits strictement reserves. Reproduction ou communication a des tiers interdite sous quelque forme que ce soit sans autorisation ecrite du proprietaire. Propriete de c FCI. Droits de reproduction FCI.



All rights strictly reserved. Reproduction or issue to third parties in any form whatever is not permitted without written authority from the proprietor. Property of FCI. Copyright FCI.



SECTION A-A

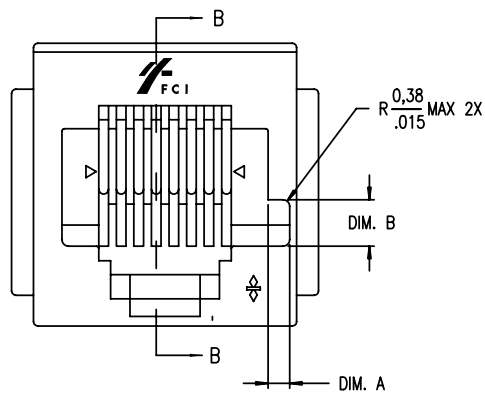
mat'l. code				tolerances unless otherwise specified		CUSTOMER COPY		FCI www.fciconnect.com	
ltr	ecn no	dr	date	linear	.XX ±.01/.X±.3	projection		title	
AE	N10-0009	SH	01/13/10		.xxx ±.005/.xx±.13	MM/INCH		8 POS VERTICAL P.C.B. MOD JACK ASSY	
W	T90350	TC	2/22/00		.xxx ±.0020/.xxx±.051	scale		product family MODJACK	
X	S00022	BCL	6/26/00	angles	0° ±2°	3.5/1		size dwg no	
Y	N00059	MC	5/25/00	dr	JANET 2/22/00	A		code	
AA	N00186	MC	2/19/00	enr	M.CHENG 12/19/00	69255		sheet	
AB	N05-0022	MHT	2/18/05	chr	M.CHENG 12/19/00			1 of 3	
AC	M05-0067	MHT	4/8/05	appd	M.CHENG 12/19/00				
sheet index	revision sheet	AE	AE	AE					
		1	2	3					



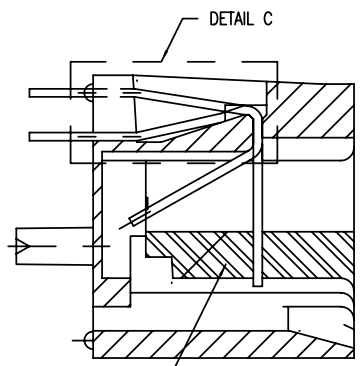
All rights strictly reserved. Reproduction or issue to third parties in any form whatever is not permitted without written authority from the proprietor. Property of FCI. Copyright FCI.

Tous droits strictement reserves. Reproduction ou communication a des tiers interdite sous quelque forme que ce soit sans autorisation ecrite du propriétaire. Propriete de c FCI. Droits de reproduction FCI.

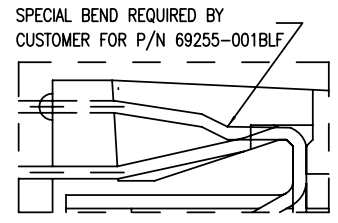
PRODUCT NO. ④	DIM. A	DIM. B	DIM. C	STYLE	POSITIONS LOADED	CONTACT PLATING ⑪	NOTES
69255-X01YLF	-	-	15.62/.615	UNKEYED	ALL	GXT	-
-X02YLF	1,25 /,050	2,69 /,106	15.62/.615	KEYED	ALL	GXT	-
-X03YLF	-	-	15.62/.615	UNKEYED	2,3,4,5,6,7	GXT	-
-X04YLF	-	-	15.62/.615	UNKEYED	ALL	0,76um / 30u" Au	-
-X05YLF	-	-	15.62/.615	UNKEYED	ALL	1,27um / 50u" Au	-
-X06YLF	1,25 /,050	2,69 /,106	15.62/.615	KEYED	ALL	1,27um / 50u" Au	-
-X07YLF	-	-	15.62/.615	UNKEYED	ALL	GXT	NOTE 1
-X08YLF	-	-	15.62/.615	UNKEYED	3,4,5,6	GXT	-
-X09YLF	-	-	15.62/.615	UNKEYED	ALL	GXT	NOTE 6
-X10YLF	-	-	13.62/.536	UNKEYED	ALL	GXT	NOTE 6



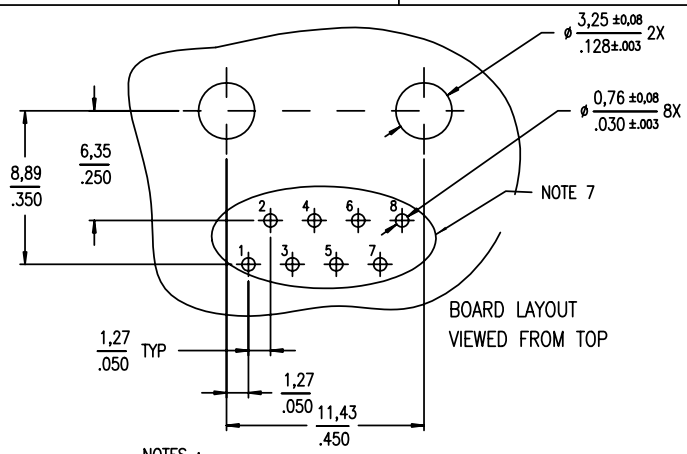
KEYED STYLE



SECTION B-B



DETAIL C (OPTIONAL DESIGN)



BOARD LAYOUT VIEWED FROM TOP

- NOTES :
- ① SPECIAL PACKAGING.
  - 2 GXT IS 0,76um / 30u" MIN GXT WITH Au FLASH OVER  
1,27um / 50u" MIN Ni.
  - ③ SOLDER TAIL LENGTH :  
X = 0 [3,18 ±0,51 / .125 ±.020]  
X = 1 [8,13 ±0,51 / .320 ±.020]  
X = 2 [5,30 ±0,51 / .208 ±.020]  
X = 3 [3,70 ±0,51 / .145 ±.020]  
[ FOR X = 1 TO 2 , WIRE TRUE POSITION IS NOT APPLICABLE. ]  
PACKAGING SPEC. IS GES-14-428
  - ④ COLOR OF HOUSING :  
Y = NIL (BLACK HOUSING)  
Y = W (WHITE, RAL1013 HOUSING)  
Y = G (GRAY, HOUSING)
  - ⑤ SPECIAL REQUIREMENT :  
SEE DETAIL C FOR P/N 69255-001B FOR FEATURE DETAILS.
  - ⑥ NO PANEL STOPS ON -X09Y AND -X10Y.
  - ⑦ THIS PIN NUMBERING OPPOSITE TO FCC, PART 68, SUB-PART F REQUIREMENTS
  - ⑧ PART NUMBERS WITH LF IN THE END ARE LEAD FREE.
  - 9 THIS PRODUCT MEETS EUROPEAN UNION DIRECTIVES AN OTHER COUNTRY REGULATION AS DESCRIBED IN GS-22-008.
  - 10 THE HOUSING TEMPERATURE WITHSTAND EXPOSURE TO 260°C PEAK TEMPERATURE FOR 15 SECONDS IN A WAVE SOLDER APPLICATION WITH A 1.5 MM MINIMUM THICK CIRCUIT BOARD. SEE APPLICATION NOTES/PROCEDURES IF THEY ARE AVAILABLE.
  - ⑪ PLATING OPTION:  
MAY BE EITHER GOLD OR GXT PLATED AT MANUFACTURER'S OPTION.

mat'l. code		tolerances unless otherwise specified		CUSTOMER COPY		FCI www.fciconnect.com	
ltr	ecn no	dr	date	linear	.xx ±.01/.xx±.3	projection	title
AE					.xxx ±.005/.xx±.13		<b>8 POS VERTICAL P.C.B. MOD JACK ASSY</b>
				angles	.xxx ±.0020/.xxx±.051		
				dr	JANET 2/22/00	MM/INCH	product family MODJACK
				enr	M.CHENG 12/19/00	scale	size dwg no
				chr	M.CHENG 12/19/00	3.5/1	code
				appd	M.CHENG 12/19/00	A	69255
sheet index	revision sheet						sheet 2 of



All rights strictly reserved. Reproduction or issue to third parties in any form whatever is not permitted without written authority from the proprietor. Property of FCI. Copyright FCI.

Tous droits strictement reserves. Reproduction ou communication a des tiers interdite sous quelque forme que ce soit sans autorisation ecrite du propriétaire. Propriete de c FCI. Droits de reproduction FCI.

1 | 2

3


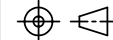
4

PRODUCT NO. ④	DIM. A	DIM. B	DIM. C	STYLE	POSITIONS LOADED	CONTACT PLATING ①	NOTES
69255-X01YHLF	-	-	15.62/.615	UNKEYED	ALL	GXT	-
-X02YHLF	1,25 /,050	2,69 /,106	15.62/.615	KEYED	ALL	GXT	-
-X03YHLF	-	-	15.62/.615	UNKEYED	2,3,4,5,6,7	GXT	-
-X04YHLF	-	-	15.62/.615	UNKEYED	ALL	0,76um /30u" Au	-
-X05YHLF	-	-	15.62/.615	UNKEYED	ALL	1,27um /50u" Au	-
-X06YHLF	1,25 /,050	2,69 /,106	15.62/.615	KEYED	ALL	1,27um /50u" Au	-
-X07YHLF	-	-	15.62/.615	UNKEYED	ALL	GXT	NOTE 1
-X08YHLF	-	-	15.62/.615	UNKEYED	3,4,5,6	GXT	-
-X09YHLF	-	-	15.62/.615	UNKEYED	ALL	GXT	NOTE 6
-X10YHLF	-	-	13.62/.536	UNKEYED	ALL	GXT	NOTE 6

MEETS PIP PROCESS PRODUCT NO.

A

A

mat'l. code -				tolerances unless otherwise specified				CUSTOMER COPY		 www.fciconnect.com	
ltr	ecn no	dr	date	linear	.XX ±.01/.X±.3			projection	title		
AE					.xxx ±.005/.xx±.13				 8 POS VERTICAL P.C.B. MOD JACK ASSY		
					.xxxx ±.0020/.xxx±.051						
				angles	0° ±2°			MM/INCH	product family MODJACK		code
				dr	JANET	2/22/00	scale		A	size	
				enr	M.CHENG	12/19/00		3.5/1		dwg no	
				chr	M.CHENG	12/19/00			69255		3 of
				appd	M.CHENG	12/19/00					
sheet index	revision sheet										

B

B

1 | 2