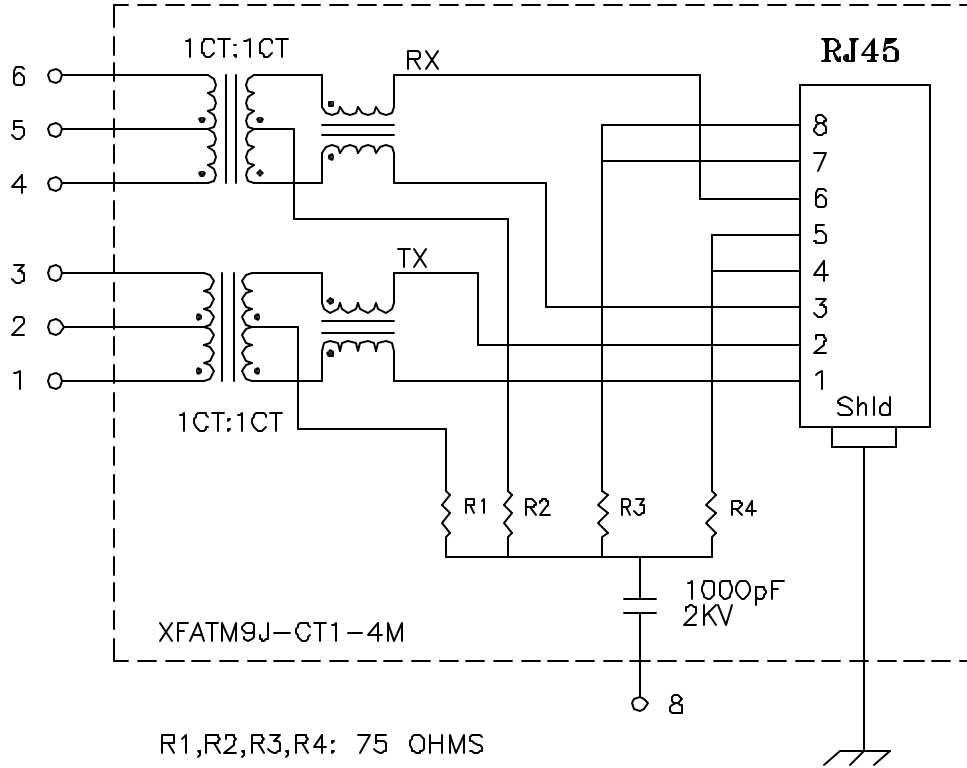


Schematic:



Electrical Specifications: @25°C

Isolation Voltage: 1500 Vrms (Input to Output)
 Isolation Voltage: 500 Vrms (P1+2+3 to P4+5+6)
 Turns Ratio: TX 1CT:1CT ±3% RX 1CT:1CT ±3%
 CABLE SIDE OCL: 350uH Minimum @100KHz 100mV 8mADC
 Cw/w: 27pF Typical @100KHz 100mV
 Insertion Loss (300KHz-100MHz): -1.0dB Maximum
 Return Loss: @30MHz -18dB Minimum
 @80MHz -12dB Minimum

Notes:

1. Solderability: Leads shall meet MIL-STD-202G, Method 208H for solderability.
2. Flammability: UL94V-0
3. ASTM oxygen Index: > 28%
4. Insulation System: Class F 155°C. UL file E151556
5. Operating Temperature Range: All listed parameters are to be within tolerance from -40°C to +85°C
6. Storage Temperature Range: -55°C to +125°C
7. Aqueous wash compatible
8. Electrical and mechanical specifications 100% tested
9. RoHS Compliant Component

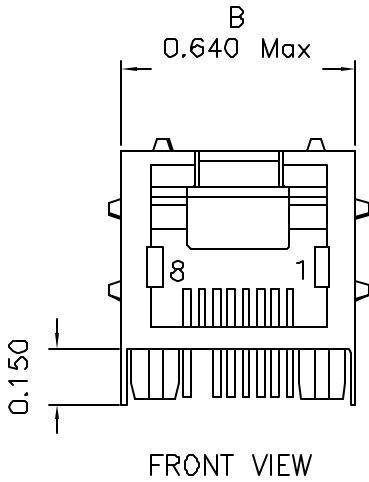
DOC. REV: A/3

XFMRs Inc. www.XFMRs.com	Title: SINGLE PORT COMBO TAB UP		
	UNLESS OTHERWISE SPECIFIED TOLERANCES: .xxx ±0.010		P/N: XFATM9J-CT1-4M
Dimensions in Inch	DWN.	Juan Mao	REV. A Apr-24-06
SHEET 1 OF 2	CHK.	YK Liao	Apr-24-06
	APP.	Joe Huff	Apr-24-06

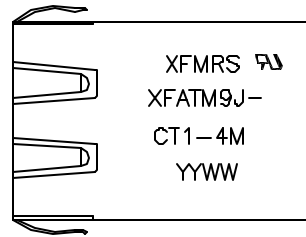
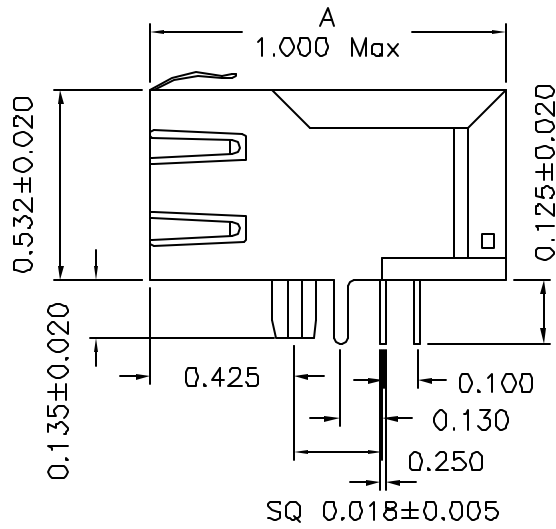
PROPRIETARY:

Document is the property of XFMRs Group & is not allowed to be duplicated without authorization.

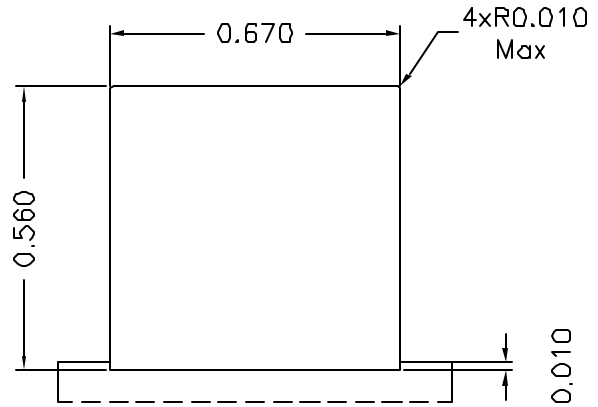
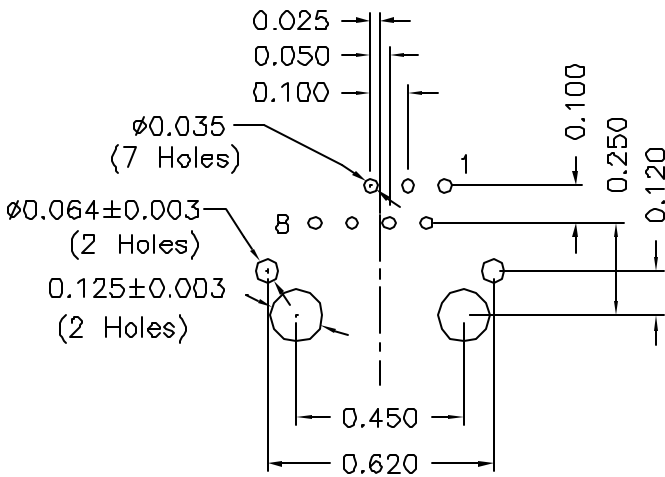
Mechanical Dimensions:



*Remove Pin#7



Mounting Pattern:



DOC REV: A/3

PROPRIETARY:

Document is the property of XFMRS Group & is not allowed to be duplicated without authorization.

XFMRS Inc. www.XFMRS.com	Title: Mechanical Dimensions For TAB UB RJ45 COMBO		
	UNLESS OTHERWISE SPECIFIED TOLERANCES: .xxx ±0.010 Dimensions in Inch	P/N: XFATM9J-CT1-4M	REV. A
SHEET 2 OF 2	CHK. YK Liao Apr-24-06	APP. Joe Huff Apr-24-06	Apr-24-06