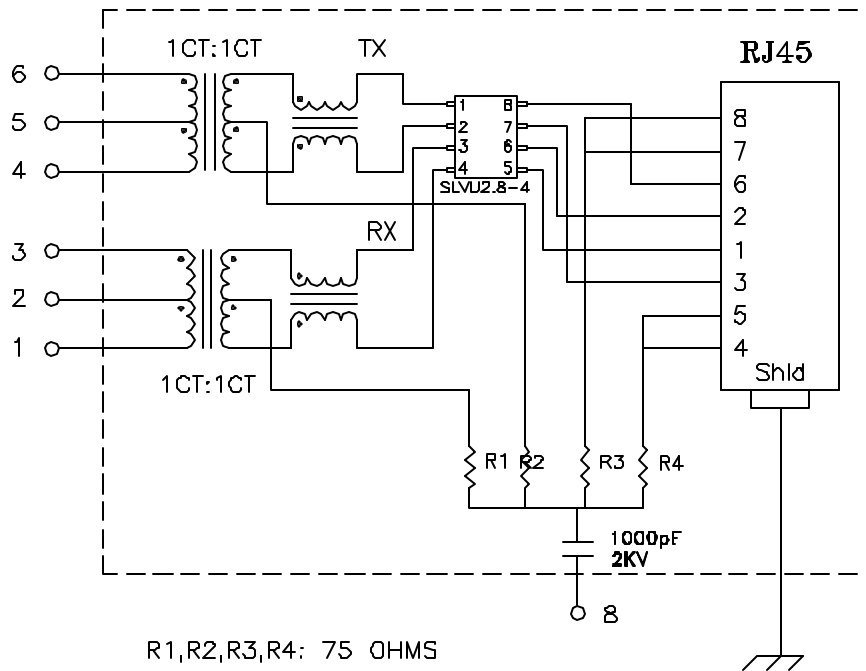


Schematic: (one of two)



Electrical Specifications: @25°C

Isolation Voltage: 1500 Vrms (Input to Output)
 Isolation Voltage: 500 Vrms (P1+2+3 to P4+5+6)
 Turns Ratio: TX 1CT:1CT ±3% RX 1CT:1CT ±3%
 CABLE SIDE OCL: 350uH Minimum @100KHz 100mV 8mADC
 Cw/w: 27pF Typical @100KHz 100mV
 Insertion Loss (300KHz-100MHz): -1.0dB Maximum
 Return Loss: @30MHz -18dB Minimum
 @80MHz -12dB Minimum

Notes:

1. Solderability: Leads shall meet MIL-STD-202G, Method 208H for solderability.
2. Flammability: UL94V-0
3. ASTM oxygen Index: > 28%
4. Insulation System: Class F 155°C. UL file E151556
5. Operating Temperature Range: All listed parameters are to be within tolerance from -40°C to +85°C
6. Storage Temperature Range: -55°C to +125°C
7. Aqueous wash compatible
8. Electrical and mechanical specifications 100% tested
9. RoHS Compliant Component

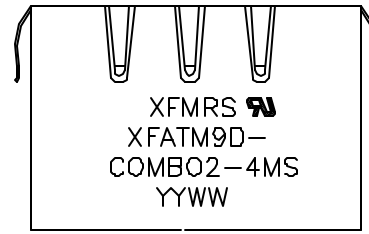
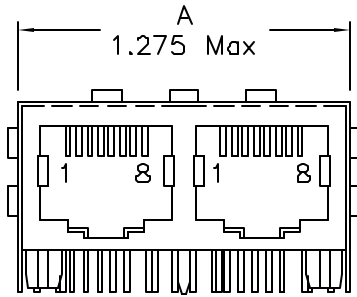
DOC. REV: A/4

XFMRs Inc. www.XFMRs.com	Title: DUAL PORT COMBO		
	UNLESS OTHERWISE SPECIFIED TOLERANCES: .xxx ±0.010 Dimensions in Inch		P/N: XFATM9D-COMBO2-4MS
SHEET 1 OF 2	DWN.	Juan mao	Jun-13-07
	CHK.	YK Liao	Jun-13-07
	APP.	MS	Jun-13-07

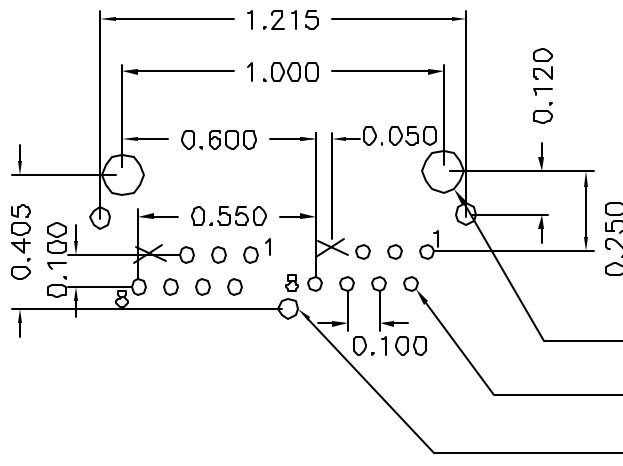
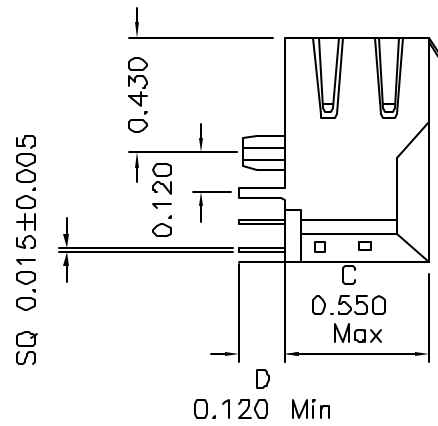
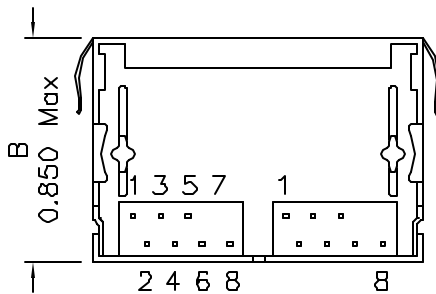
PROPRIETARY:

Document is the property of XFMRs Group & is not allowed to be duplicated without authorization.

Mechanical Dimensions:



TOP VIEW



*Remove Pin#7

- ∅0.128±0.003 x 2
- ∅0.035±0.003 x 16
- ∅0.062±0.003 x 3

SUGGESTED MOUNTING PATTERN

DOC REV: A/4

XFMRS Inc. www.XFMRS.com	Title: Mechanical Dimensions For COMBO2-4MS Series		
	UNLESS OTHERWISE SPECIFIED TOLERANCES: .xxx ±0.010 Dimensions in Inch	P/N: XFATM9D-COMBO2-4MS	REV. A
SHEET 2 OF 2	APP. MS	Jun-13-07	Jun-13-07

PROPRIETARY:

Document is the property of XFMRS Group & is not allowed to be duplicated without authorization.