

BY228

SINTERED GLASS JUNCTION AVALANCHE RECTIFIER

VOLTAGE:1500V

CURRENT: 2.5A



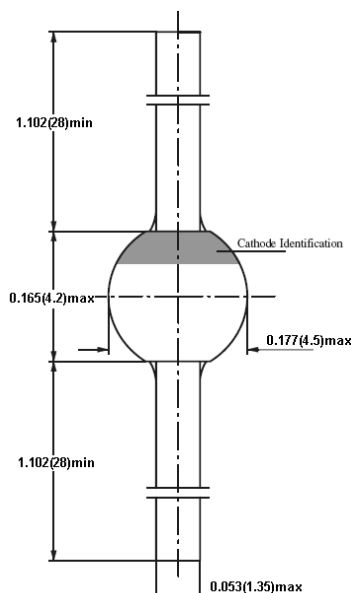
FEATURE

Glass passivated
High maximum operating temperature
Low leakage current
Excellent stability

MECHANICAL DATA

Case: SOD-64 sintered glass case
Terminal: Plated axial leads solderable per
MIL-STD 202E, method 208C
Polarity: color band denotes cathode end
Mounting position: any

SOD-64



Dimensions in inches and (millimeters)

MAXIMUM RATINGS AND ELECTRICAL CHARACTERISTICS

(single-phase, half-wave, 60HZ, resistive or inductive load rating at 25°C, unless otherwise stated, for capacitive load, derate current by 20%)

	SYMBOL	BY228	units
Maximum Non-Repetitive Peak Reverse Voltage	V _{rsm}	1650	V
Maximum Repetitive Peak Reverse Voltage	V _{rrm}	1650	V
Maximum Continuous Reverse Voltage	V _r	1500	V
Maximum RMS Voltage	V _{rms}	1050	V
Maximum DC blocking Voltage	V _{dc}	1500	V
Maximum Average Forward Rectified Current 0.375" (9.5mm) lead length at T _a =50°C	I _{f(av)}	2.5	A
Non-Repetitive Peak Forward Surge Current at t=10ms half sinewave	I _{fsm}	50.0	A
Maximum Instantaneous Forward Voltage at 5.0A	V _f	1.50	V
Maximum DC Reverse Current at rated DC blocking voltage	I _r	5.0 150.0	μA
Typical Reverse Recovery Time (Note 1)	T _{rr}	1000	nS
Typical Thermal Resistance (Note 2)	R _{th(ja)}	75.0	K /W
Storage and Operating Junction Temperature	T _{stg} , T _j	-65 to +175	°C

Note:

1. Reverse Recovery Condition I_f =0.5A, I_r =1.0A, I_{rr} =0.25A
2. Device mounted on an epoxy-glass printed-circuit board, 1.5mm thick

RATINGS AND CHARACTERISTIC CURVES BY228

FIG. 1 - FORWARD CURRENT DERATING CURVE

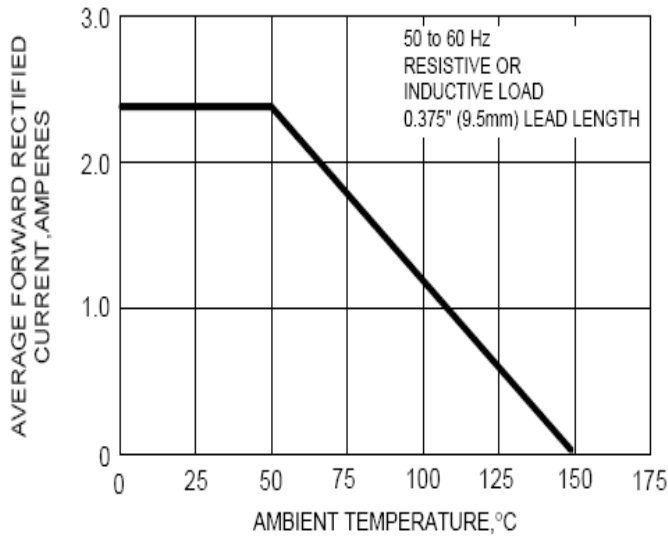


FIG. 2 - MAXIMUM NON-REPETITIVE PEAK FORWARD SURGE CURRENT

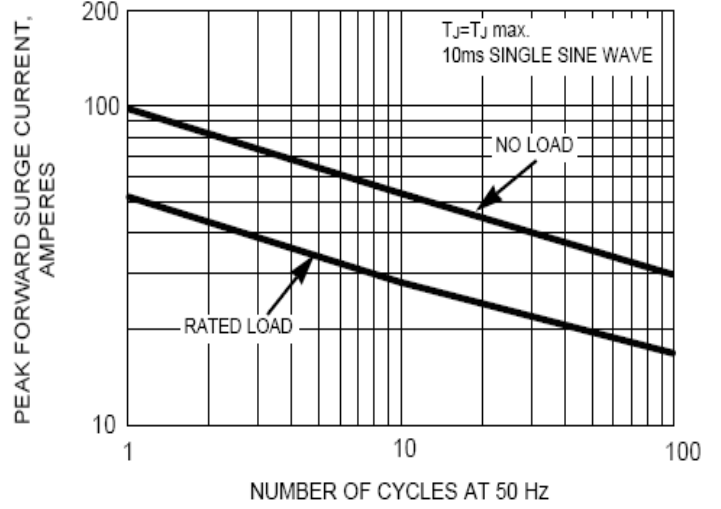


FIG. 3 - MAXIMUM PEAK REPETITIVE FORWARD SURGE CURRENT

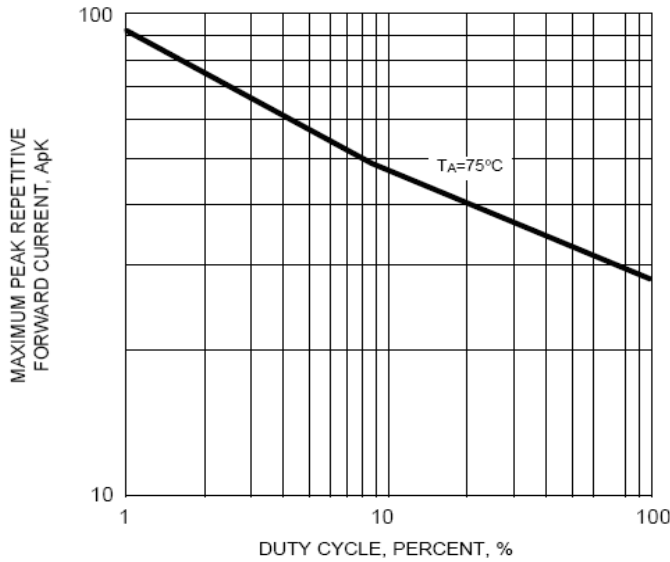


FIG. 4 - TYPICAL INSTANTANEOUS FORWARD CHARACTERISTICS

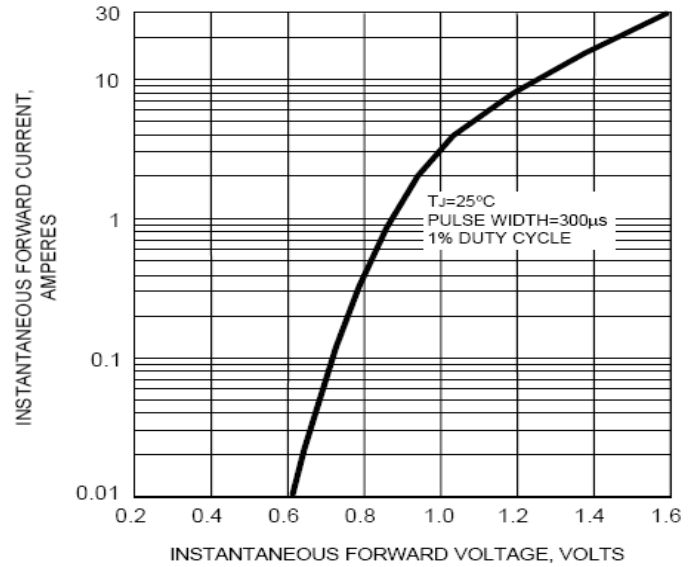


FIG. 5 - TYPICAL REVERSE CHARACTERISTICS

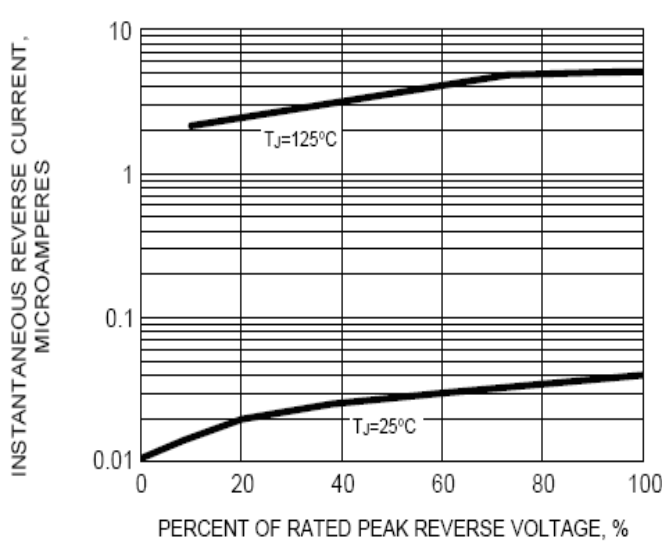


FIG. 6 - TYPICAL JUNCTION CAPACITANCE

