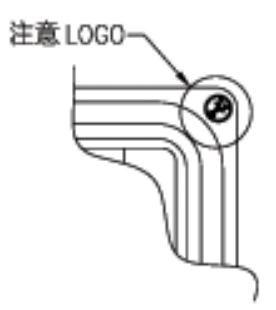
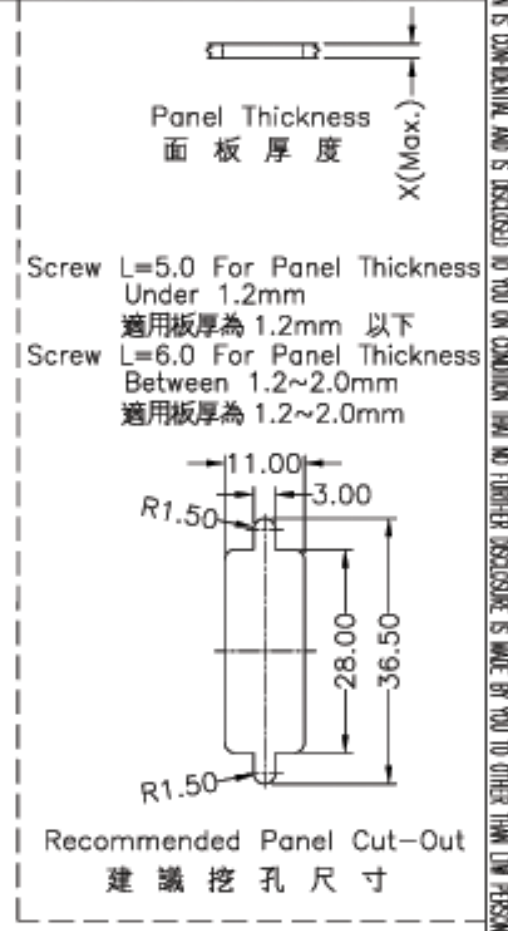
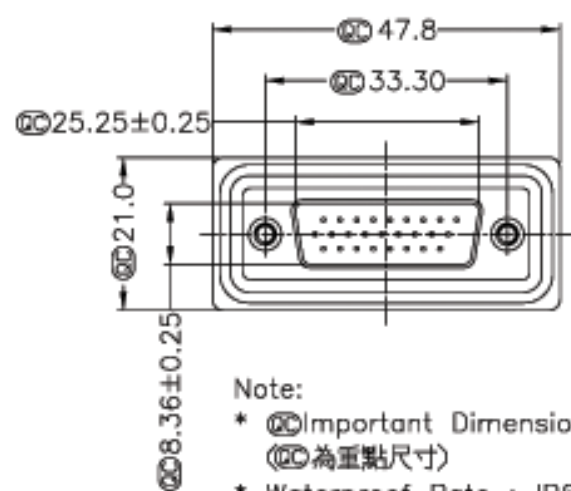
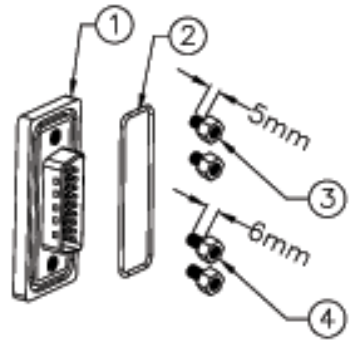
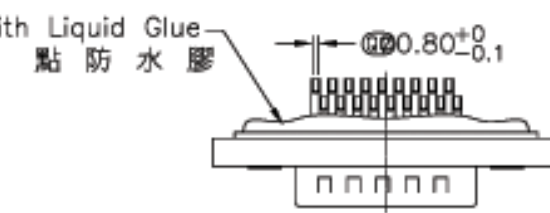
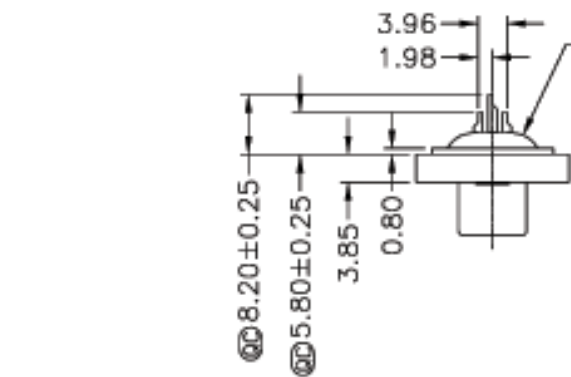


REV.	CON. NO.	DATE	DRW.	DESCRIPTION



- Note:
- * Ⓢ Important Dimension. (Ⓢ 為重點尺寸)
 - * Waterproof Rate : IP67
 - * Connector: Black, Nylon+GF
 - * Pin: Copper Alloy, Gold Plated
 - * Do Mating Test After Glued 點膠後, 須作對插測試
 - * Applicable Wire Range: 24AWG-28AWG 適用電線範圍: 24AWG-28AWG
 - * 注意LOGO 為 Ⓢ

UNIT:mm	Ⓢ	TITLE D-SUB,HD,HD-26PMMS
TOLERANCE JX ±0.25 JXX ±0.1 JXXX ±0.05 ANGLES ±1°	SCALE Free	SHEET 1 OF 1
REV. 01	SIZE A4	Ⓢ : Inspection Item



ITEM NO A-HDS-26-LL-WP	DRAWN BY Gao Ling	DATE 2006/05/08
DWG NO A-HDS-26-LL-WP	CHECKED BY Robert Hsu	DATE 2006/05/30
	APPROVED BY Max	DATE 2006/06/02

THIS INFORMATION IS CONFIDENTIAL AND IS DISCLOSED TO YOU ON CONDITION THAT NO FURTHER DISCLOSURE IS MADE BY YOU TO OTHER THAN LHM PERSONNEL WITHOUT AUTHORIZATION FROM LHM CORP.