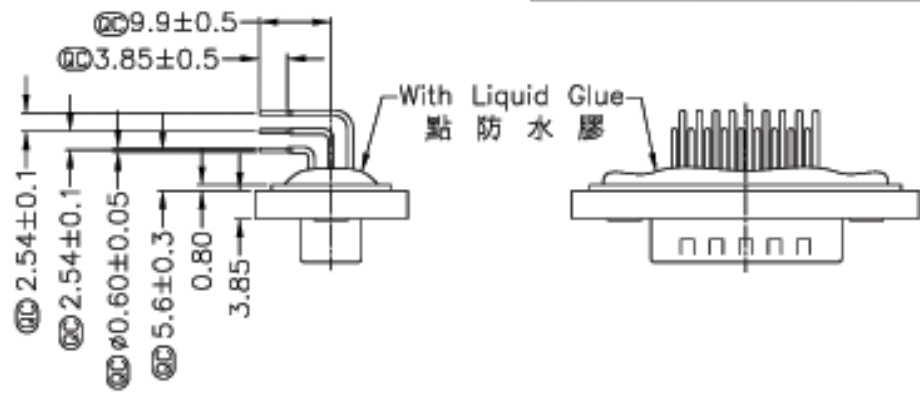
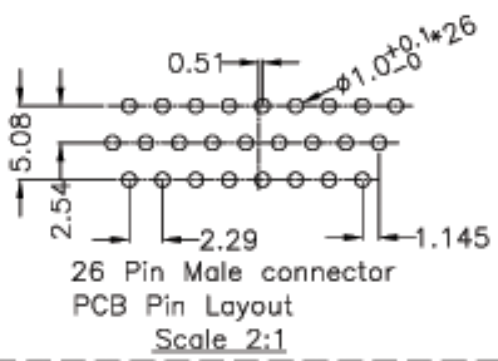


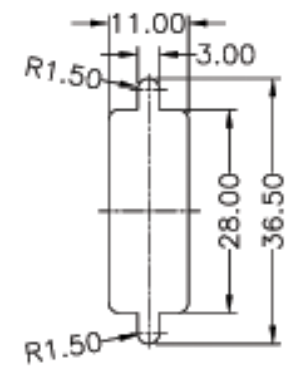
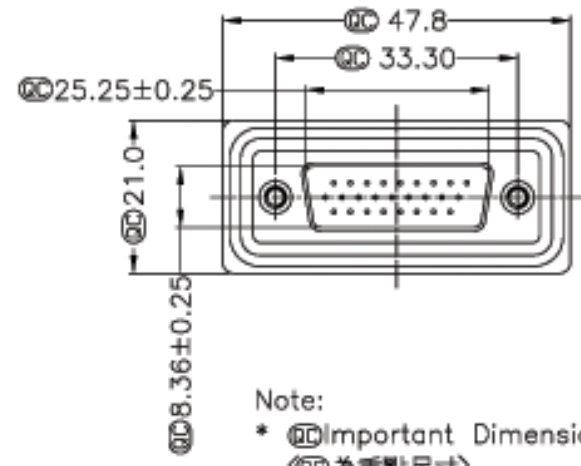
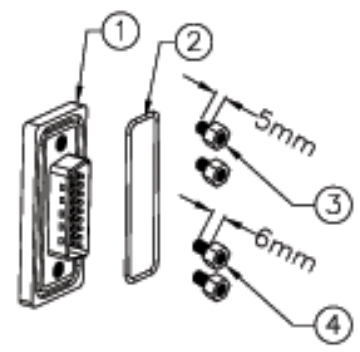
THIS INFORMATION IS CONFIDENTIAL AND IS DISCLOSED TO YOU ON CONDITION THAT NO FURTHER DISCLOSURE IS MADE BY YOU TO OTHER THAN LHM PERSONNEL WITHOUT AUTHORIZATION FROM LHM CORP.

REV.	CON. NO.	DATE	BY	DESCRIPTION



Screw L=5.0 For Panel Thickness Under 1.2mm
適用板厚為 1.2mm 以下

Screw L=6.0 For Panel Thickness Between 1.2~2.0mm
適用板厚為 1.2~2.0mm



Recommended Panel Cut-Out
建議挖孔尺寸



- Note:
- * ϕ Important Dimension. (ϕ 為重點尺寸)
 - * Waterproof Rate : IP67
 - * Connector: Black, Nylon+GF
 - * Pin: Copper Alloy, Gold Plated
 - * Do Mating Test After Glued
點膠後, 須作對插測試
 - * 注意 LOGO 為 ϕ

UNIT:mm		TITLE D-SUB,HD,HD-26PMMP
TOLERANCE X ± 0.25 XX ± 0.1 XXX ± 0.05 ANGLES $\pm 1^\circ$	SCALE Free	SHEET 1 OF 1
REV. 01	SIZE A4	ϕ : Inspection Item



ITEM NO A-HDS-26-AA-WP	DRAWN BY Gao Ling	DATE 2006/05/06
DWG NO A-HDS-26-AA-WP	CHECKED BY Robert Hsu	DATE 2006/05/30
	APPROVED BY Max	DATE 2006/06/02