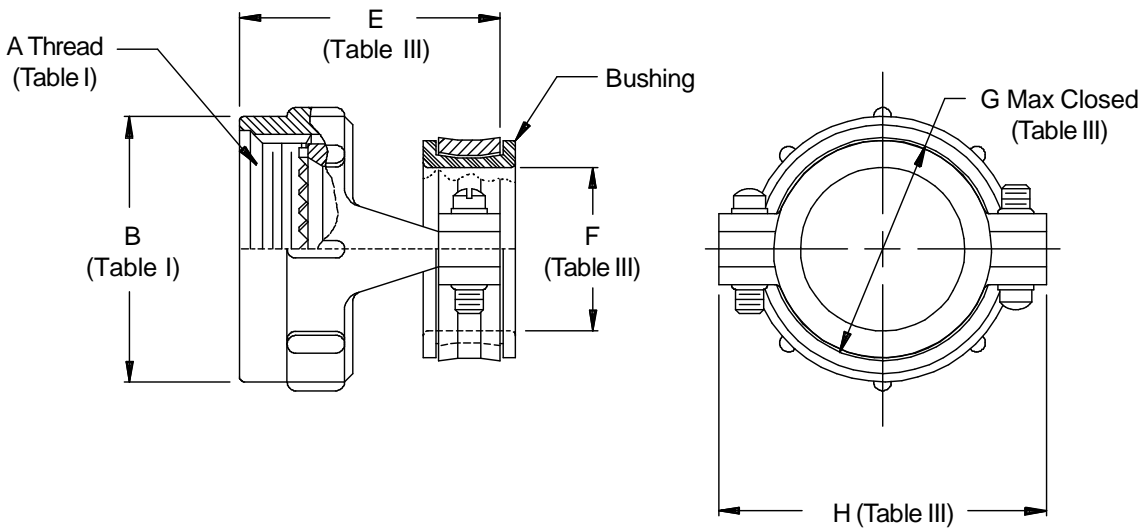
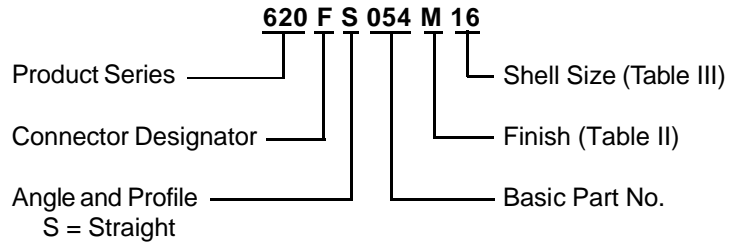


**620-054**  
**Strain Relief**  
**Direct Coupling - Straight**



**CONNECTOR  
DESIGNATOR**  
**F**  
**DIRECT  
COUPLING**



See inside back cover fold-out or pages 13 and 14 for Tables I and II.

Shell Size	E Max	F Dia Free	G Max Closed	H Max
08	1.078 (27.4)	.125 (3.2)	.187 (4.7)	.828 (21.0)
10	1.078 (27.4)	.188 (4.8)	.187 (4.7)	.891 (22.6)
12	1.078 (27.4)	.312 (7.9)	.281 (7.1)	1.016 (25.8)
14	1.312 (33.3)	.375 (9.5)	.325 (8.3)	1.141 (29.0)
16	1.312 (33.3)	.500 (12.7)	.356 (9.0)	1.203 (30.6)
18	1.312 (33.3)	.625 (15.9)	.456 (11.6)	1.469 (37.3)
20	1.312 (33.3)	.625 (15.9)	.519 (13.2)	1.469 (37.3)
22	1.453 (36.9)	.750 (19.1)	.519 (13.2)	1.656 (42.1)
24	1.375 (34.9)	.800 (20.3)	.657 (16.7)	1.750 (44.5)

1. Cable Entry is defined as the accommodation entry for the wire bundle or cable. Dimensions are not intended for inspection criteria.
2. Metric dimensions (mm) are indicated in parentheses.