

Coaxial

# Power Splitter/Combiner

ZFSC-2-2500+

2 Way-0° 50Ω 10 to 2500 MHz

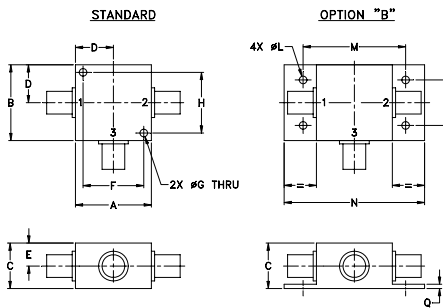
### Maximum Ratings

Operating Temperature	-55°C to 100°C
Storage Temperature	-55°C to 100°C
Power Input (as a splitter)	1W max.
Internal Dissipation	0.125W max.

### Coaxial Connections

SUM PORT	3
PORT 1	1
PORT 2	2

### Outline Drawing



### Outline Dimensions (inch/mm)

A	B	C	D	E	F	G	H
1.25	1.25	.75	.63	.38	1.00	.125	1.000
31.75	31.75	19.05	16.00	9.65	25.40	3.18	25.40
J	K	L	M	N	P	Q	wt
--	--	.125	1.688	2.18	.75	.07	grams
--	--	3.18	42.88	55.37	19.05	1.78	70.0

### Features

- very wideband, 10 to 2500 MHz
- low insertion loss, 0.4 dB typ.
- excellent amplitude unbalance, 0.1 dB typ.
- excellent phase unbalance, 1.0 deg. typ.
- rugged shielded case

### Applications

- cellular
- GPS
- PCS/DCS
- ISM
- satellite distribution



CASE STYLE: K18

Connectors	Model	Price	Qty.
SMA	ZFSC-2-2500-S+	\$74.95	(1-9)
BRACKET (OPTION "B")		\$2.50	(1+)

+ RoHS compliant in accordance with EU Directive (2002/95/EC)

The +Suffix has been added in order to identify RoHS Compliance. See our web site for RoHS Compliance methodologies and qualifications.

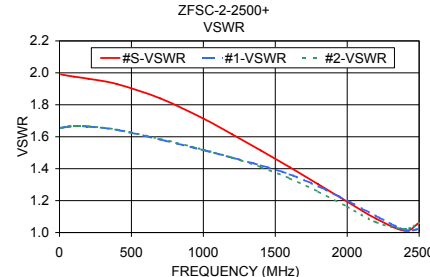
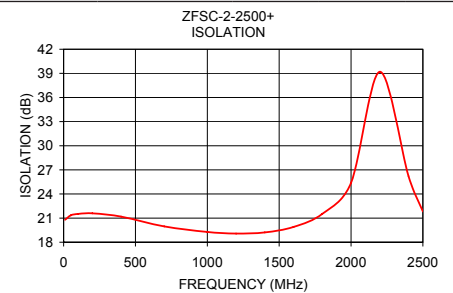
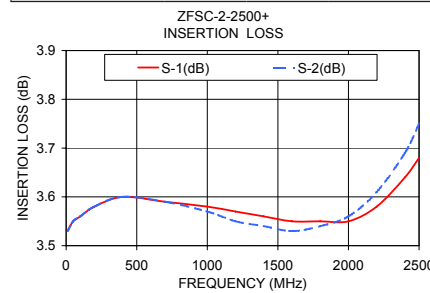
### Electrical Specifications

FREQ. RANGE (MHz)	ISOLATION (dB)			INSERTION LOSS (dB) ABOVE 3.0 dB			PHASE UNBALANCE (Degrees)			AMPLITUDE UNBALANCE (dB)								
	L	M	U	L	M	U	L	M	U	L	M	U						
$f_L$ - $f_U$	Typ.	Min.	Typ. Min.	Typ. Min.	Typ. Max.	Typ. Max.	Max.	Max.	Max.	Max.	Max.	Max.						
10-2500	16	11	17	14	17	14	0.5	0.8	0.6	1.4	0.8	1.5	1	4	8	0.2	0.3	0.4

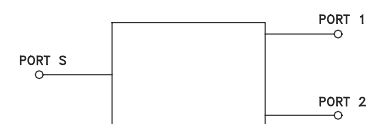
L = low range [ $f_L$  to  $10 f_L$ ] M = mid range [ $10 f_L$  to  $f_U/2$ ] U = upper range [ $f_U/2$  to  $f_U$ ]

### Typical Performance Data

Frequency (MHz)	Insertion Loss (dB)		Amplitude Unbalance (dB)	Isolation (dB)	Phase Unbalance (deg.)	VSWR S	VSWR 1	VSWR 2
	S-1	S-2						
10.00	3.53	3.53	0.00	20.79	0.01	1.99	1.66	1.66
50.00	3.55	3.55	0.00	21.35	0.02	1.98	1.66	1.66
100.00	3.56	3.56	0.00	21.52	0.04	1.98	1.67	1.67
200.00	3.58	3.58	0.00	21.59	0.06	1.96	1.66	1.66
400.00	3.60	3.60	0.00	21.19	0.11	1.93	1.64	1.64
700.00	3.59	3.59	0.00	19.97	0.19	1.84	1.58	1.59
1000.00	3.58	3.57	0.01	19.28	0.30	1.71	1.52	1.52
1200.00	3.57	3.55	0.01	19.08	0.40	1.62	1.47	1.47
1400.00	3.56	3.54	0.01	19.22	0.54	1.51	1.42	1.41
1600.00	3.55	3.53	0.02	19.90	0.70	1.41	1.36	1.34
1800.00	3.55	3.54	0.01	21.53	0.87	1.30	1.29	1.26
2000.00	3.55	3.56	0.01	25.39	1.06	1.19	1.20	1.16
2200.00	3.58	3.61	0.03	39.20	1.20	1.09	1.10	1.07
2400.00	3.64	3.69	0.05	26.21	1.19	1.01	1.02	1.02
2500.00	3.68	3.75	0.07	21.83	1.16	1.06	1.02	1.06



### electrical schematic



**Mini-Circuits®**  
ISO 9001 ISO 14001 AS 9100 CERTIFIED

minicircuits.com

P.O. Box 350166, Brooklyn, New York 11235-0003 (718) 934-4500 Fax (718) 332-4661 For detailed performance specs & shopping online see Mini-Circuits web site



The Design Engineers Search Engine Provides ACTUAL Data Instantly From MINI-CIRCUITS At: www.minicircuits.com

IF/RF MICROWAVE COMPONENTS

REV. C  
M121077  
ZFSC-2-2500+  
HY/TD/CP/AM  
090112