



P/N: NS0019 LF DATA SHEET

Feature



- Half port and single port designs for maximum layout flexibility.
- Low profile packages from 0.094 Inch(2.39mm) to 0.078 Inch(1.98mm) for PC card and card bus applications.
- TX OCL 350uH min. with 8mA Bias.
- Lead free for external pins.
- Operation temperature range: 0 to +70 .
- Storage temperature range: -25 to +125 .

Electrical Specifications @ 25°C

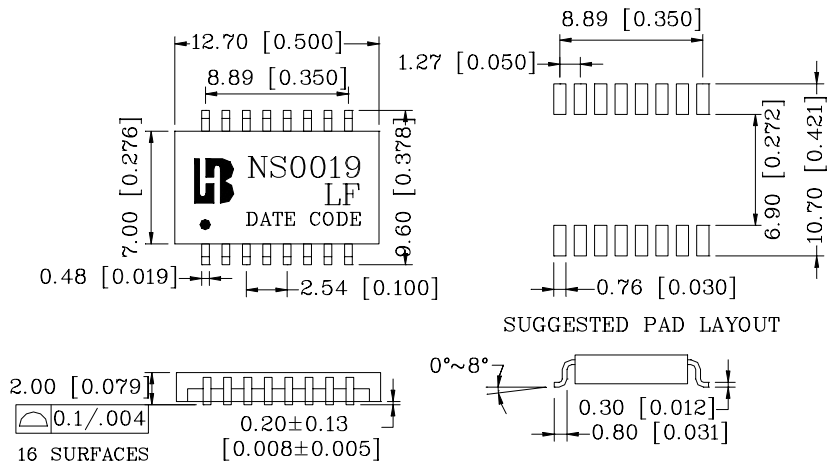
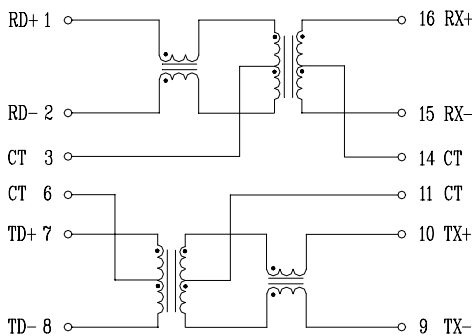
Part Number	Turns Ratio (±5%)		OCL (uH Min) @100KHz/0.1V with 8mA DC Bias		Insertion Loss (dB Max)TX/RX	HI-POT (Vrms)
	TX	RX	Pin(16-15)	Pin(7-8)		
NS0019 LF	1CT:1CT	1CT:1CT	200	350	0.3-100MHz -1.4/-1.1	1500

Continue

Part Number	Return Loss (dB Min)TX/RX			Cross talk (dB Min)			DCMR (dB Min)	
	30MHz	60MHz	80MHz	30MHz	62MHz	100MHz	30MHz	100MHz
NS0019 LF	-14/-16	-11/-12	-10/-11	-45	-40	-35	-40	-30

Schematic

Mechanical



Units: mm[Inches] Tolerances: xx.x0±0.25[0.010]
0.xx±0.05[0.002]