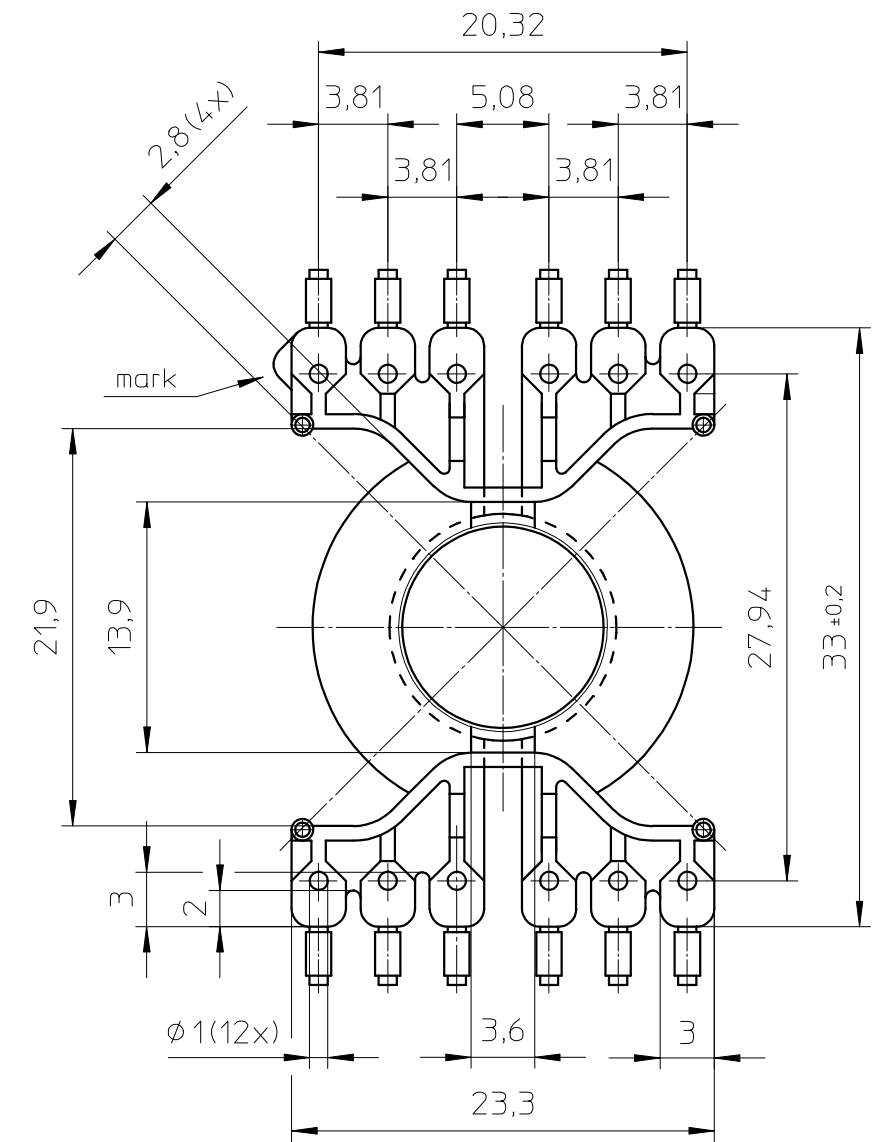
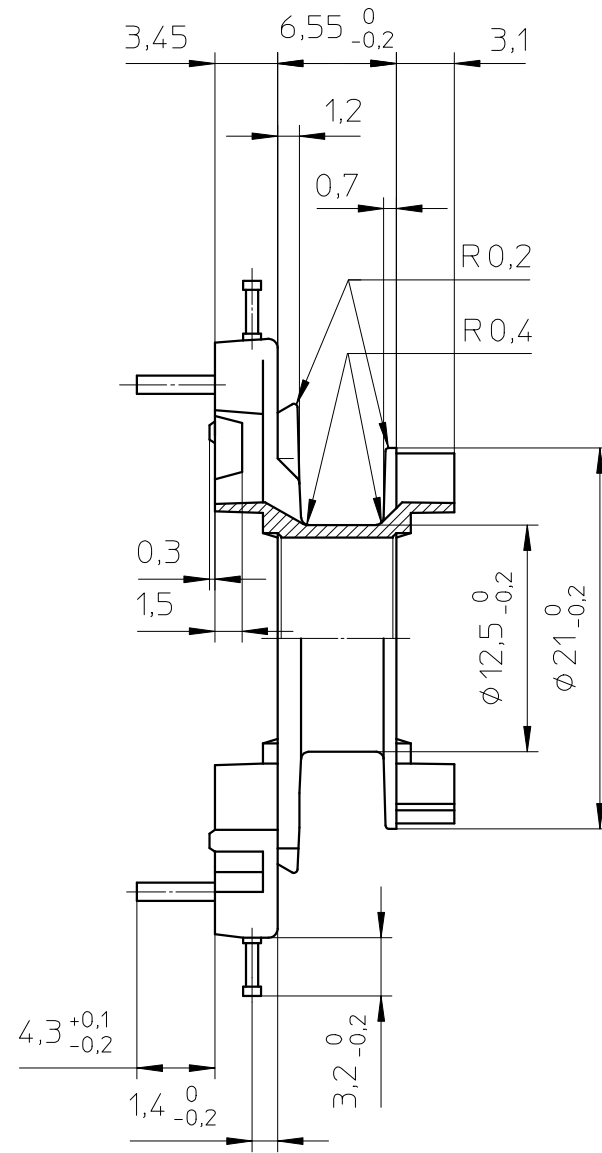
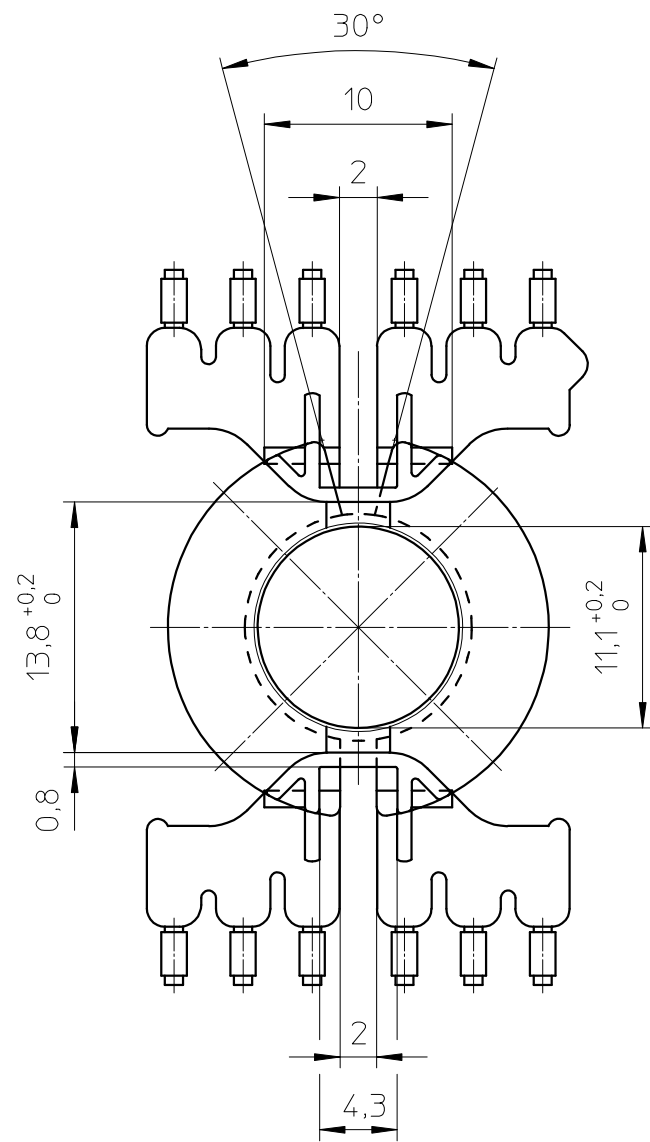
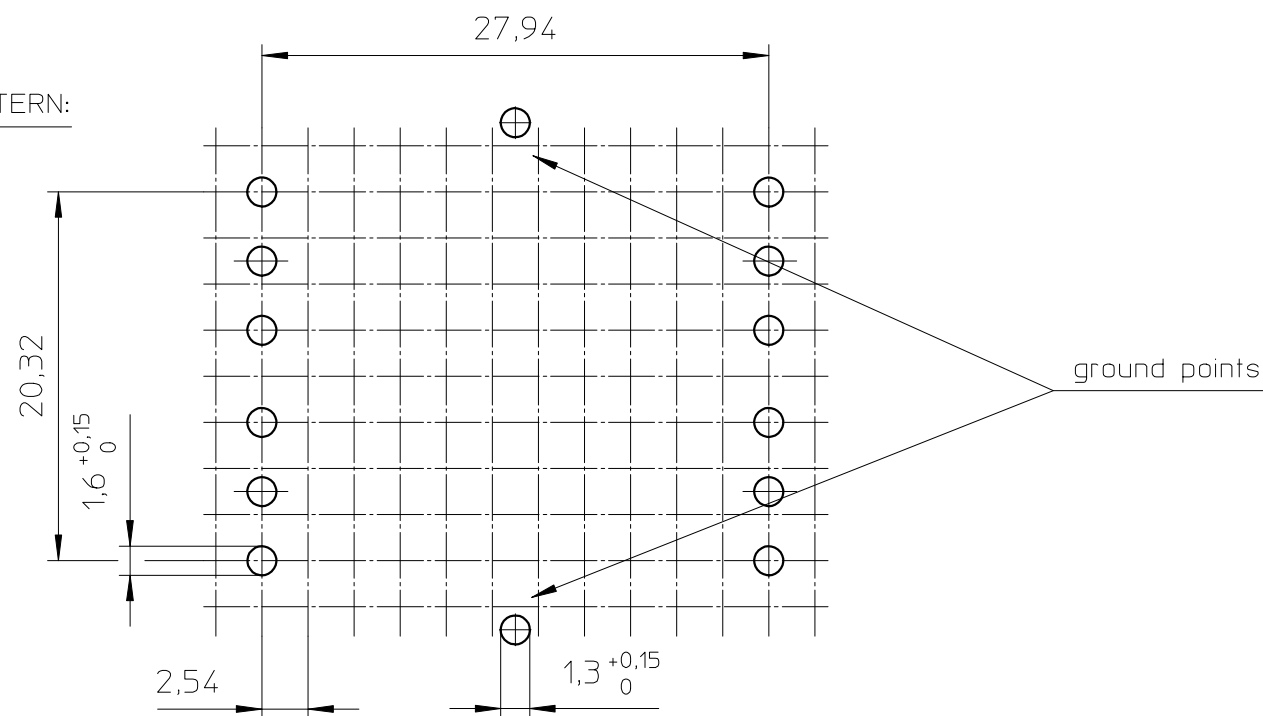


FERROXCUBE



HOLE PATTERN:



Coil former material: Valox 420SEO (PBT), glass-reinforced.
 UL file number: E45329(R) - UL94V-0.
 Pin material: CuSn - Ni flash, Sn plated.
 Max. operating temp.: acc. to IEC 85 class F, 155°C.
 Resistance to soldering heat: acc. to IEC 68-2-20 Part 2, Test Tb, method 1B, 350°C - 3.5s.
 Solderability: acc. to IEC 68-2-20 Part 2, Test Ta, method 1, 235°C - 2s.
 Min. winding area: 21 mm².
 Mean length of turn: 52 mm.

CLASS.NO.	CPV-RM10/ILP-1S-12PD		4322 021 01951	97-03-13
97-12-05				97-12-05
				99-10-20
				2003-07-24
				2005-09-01
NAME NAAM MPA	M.Veekens	SUPERS. VERY. BL.	001 SH SH BL BL	112 - 001
CHECK CONTR.	DAT.	97-03-13	Property of Eigendom van	069
			© FERROXCUBE 2000	A3