

Voltage Variable Absorptive Attenuator 35 dB, DC - 2.0 GHz

Rev. V7

Features

- 35 dB Voltage Variable Attenuation at 1 GHz
- Single Voltage Control: 0 to -4 Volts
- Low DC Power Consumption
- Nanosecond Switching Speed
- Temperature Range: -40°C to +85°C
- SOIC-14 Plastic Package
- Tape and Reel Packaging Available

Description

M/A-COM's AT-635 is a GaAs MMIC voltage variable absorptive attenuator in a low cost SOIC 14-lead surface mount plastic package. The AT-635 is ideally suited for use where attenuation fine tuning, fast switching and very low power consumption are required.

Typical applications include radio, cellular, GPS equipment and other automatic gain/level control circuits.

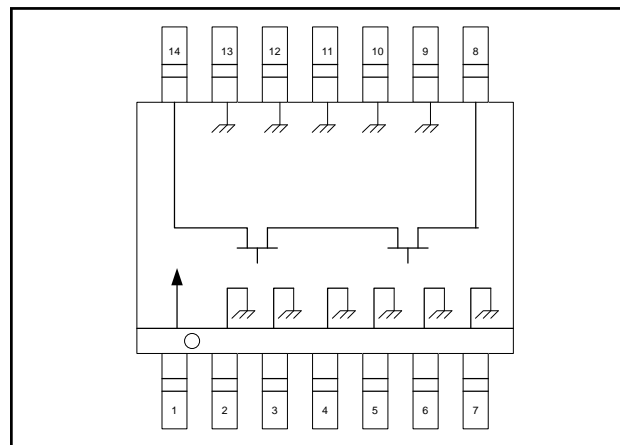
The AT-635 is fabricated with a monolithic GaAs MMIC using a mature 1-micron process. The process features full chip passivation for increased performance and reliability.

Ordering Information ^{1,2}

Part Number	Package
AT-635	Bulk Packaging
AT-635TR	Tape and Reel
AT-635SMB	Sample Board

1. Reference Application Note M513 for reel size information.
2. All sample boards include 5 loose parts.

Functional Schematic



Pin Configuration

Pin No.	Function	Pin No.	Function
1	V _C	8	RF2
2	Ground	9	Ground
3	Ground	10	Ground
4	Ground	11	Ground
5	Ground	12	Ground
6	Ground	13	Ground
7	Ground	14	RF1

Absolute Maximum Ratings ^{3,4}

Parameter	Absolute Maximum
Input Power	+21 dBm
Control Voltage	-8.5 V ≤ V _C ≤ +5 V
Operating Temperature	-40°C to +85°C
Storing Temperature	-65°C to +150°C

3. Exceeding any one or combination of these limits may cause permanent damage to this device.
4. M/A-COM does not recommend sustained operation near these survivability limits.

Voltage Variable Absorptive Attenuator 35 dB, DC - 2.0 GHz

Rev. V7

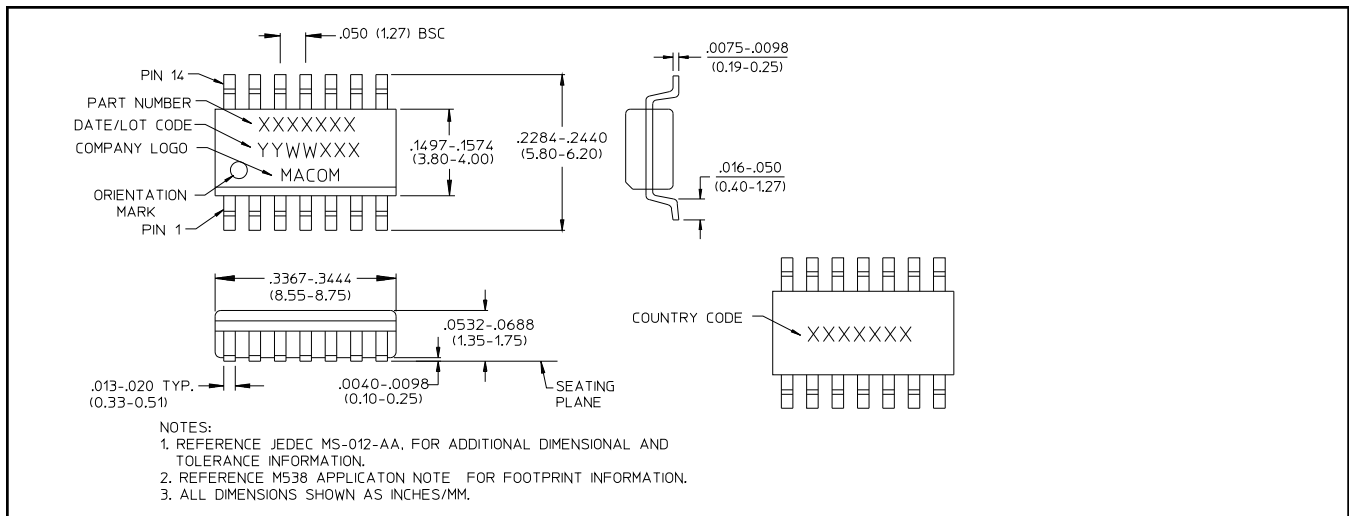
Electrical Specifications: $T_A = 25^\circ\text{C}$, $Z_0 = 50 \Omega$

Parameter	Test Conditions ⁵	Units	Min.	Typ.	Max.
Insertion Loss	DC - 0.5 GHz	dB	—	6.7	7.0
	0.5 - 1.0 GHz	dB	—	7.2	7.4
	1.0 - 2.0 GHz	dB	—	7.5	7.8
Flatness (Peak to Peak)	10 dB Attenuation – DC - 2.0 GHz	dB	—	± 1.0	± 1.3
	20 dB Attenuation – DC - 2.0 GHz	dB	—	± 1.2	± 1.5
	30 dB Attenuation – DC - 2.0 GHz	dB	—	± 1.2	± 1.5
VSWR		Ratio	—	2.0:1	—
Trise, Tfall	10% to 90% RF, 90% to 10% RF	nS	—	2	—
Ton, Toff	50% Control to 90% RF, 50% Control to 10% RF	nS	—	4	—
Transients	In Band	mV	—	30	—
Power Handling	Linear Operation	dBm	—	—	13
	Absolute maximum Input Power	dBm	—	—	21
IP ₂	0.05 GHz	dBm	—	34	—
	0.5 - 2.0 GHz Measured Relative to Input Power (For two-tone Input Power Up to +5 dBm)	dBm	—	47	—
IP ₃	0.05 GHz	dBm	18	31 ⁶	—
	0.5 - 2.0 GHz Measured Relative to Input Power (For two-tone Input Power Up to +5 dBm)	dBm	18.5	36 ⁶	—

5. Control voltage: 0 to -4 volts @ 20 μA typical.

6. For levels above 6 dB attenuation. For levels below 6 dB, the minimum specification numbers apply.

SOIC-14[†]



[†] Meets JEDEC moisture sensitivity level 1 requirements.

ADVANCED: Data Sheets contain information regarding a product M/A-COM Technology Solutions is considering for development. Performance is based on target specifications, simulated results, and/or prototype measurements. Commitment to develop is not guaranteed.

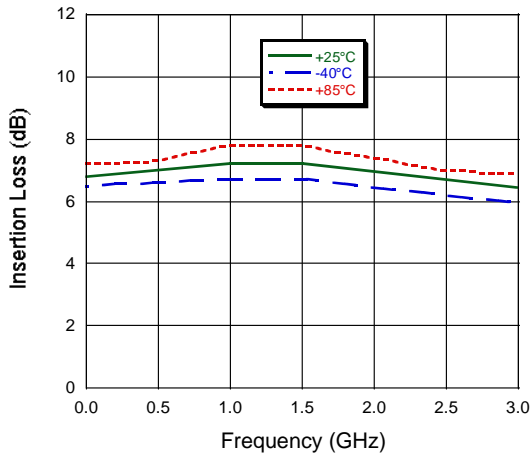
PRELIMINARY: Data Sheets contain information regarding a product M/A-COM Technology Solutions has under development. Performance is based on engineering tests. Specifications are typical. Mechanical outline has been fixed. Engineering samples and/or test data may be available. Commitment to produce in volume is not guaranteed.

• **North America** Tel: 800.366.2266 / Fax: 978.366.2266
 • **Europe** Tel: 44.1908.574.200 / Fax: 44.1908.574.300
 • **Asia/Pacific** Tel: 81.44.844.8296 / Fax: 81.44.844.8298
 Visit www.macomtech.com for additional data sheets and product information.

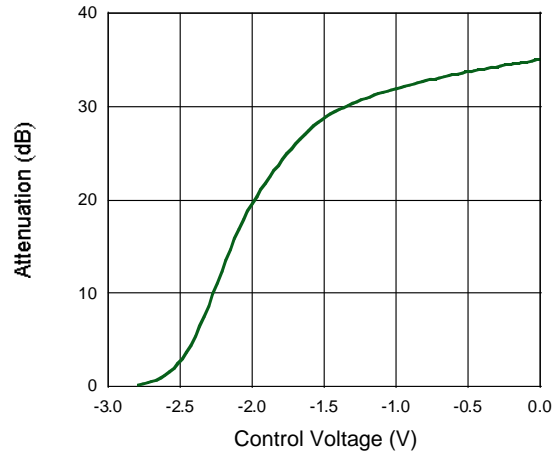
M/A-COM Technology Solutions Inc. and its affiliates reserve the right to make changes to the product(s) or information contained herein without notice.

Typical Performance Curves

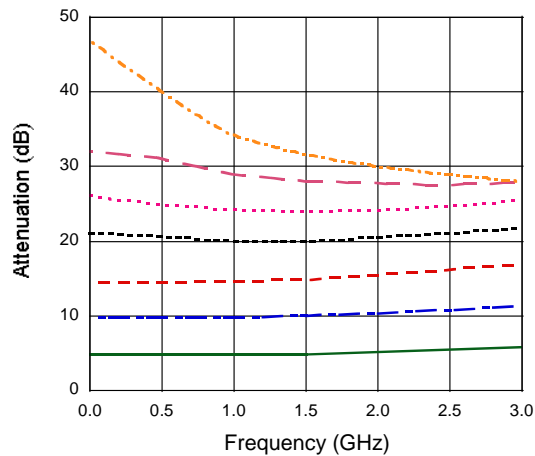
Insertion Loss vs. Frequency



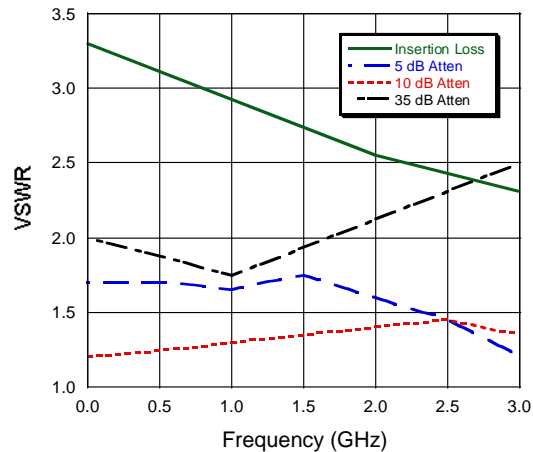
Attenuation vs. Control Voltage, F = 1 GHz



Attenuation vs. Frequency



VSWR vs. Frequency



Handling Procedures

Please observe the following precautions to avoid damage:

Static Sensitivity

Gallium Arsenide Integrated Circuits are sensitive to electrostatic discharge (ESD) and can be damaged by static electricity. Proper ESD control techniques should be used when handling these devices.