

Toroidal Coil Power Inductor

**Toroidal Inductors with closed magnetic circuit
for lowest EMI (TCTK)**

▶ **Preview**

Toroidal coils are electronic components with the high performers among inductors, typically consisting of a circular ring-shaped magnetic core of iron powder, ferrite, or other material around which wire is coiled to make an inductor. Their windings cool better because of the proportionally larger surface area. Toroidal inductors with a round core cross section are better performers than toroidal inductors with a rectangular cross section.

With vertical base mounted Token TCTK series toroidal coils introduces advanced materials of iron core and special-purpose resins to produce the greatest inductance, high current, Lowest EMI, and Low cost. The TCTK is the most common kind of power inductors. Token TCTK utilizes closed magnetic circuit design enabling the lowest EMI and is suitable for Copying Machine, Display Monitor, ADSL Modem, Refrigerator, Laundry Machine, Microwave Oven, Car Electronics, Gaming Machine, Color TV, Video Camera, and Air Conditioner.

Full line products meet RoHS compliant. Token will also produce devices outside these specifications to meet specific customer requirements, please contact our sales for more information.

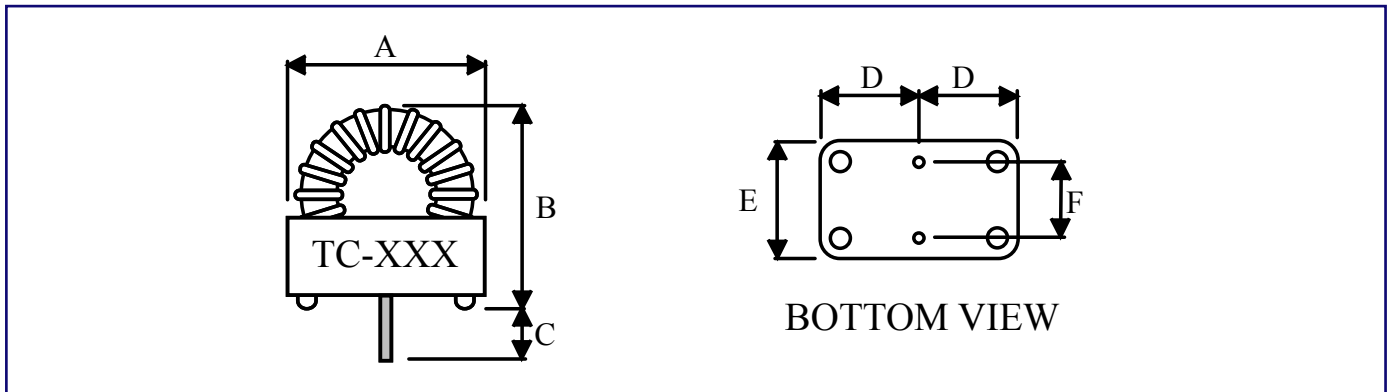
Features :

- Vertical base mounted.
- Low cost, High current.
- Closed magnetic circuit for lowest EMI.

Applications :

- Copying Machine, Display Monitor, ADSL Modem,
- Gaming Machine, Color TV, Video Camera, Air Conditioner,
- Refrigerator, Laundry Machine, Microwave Oven and Car Electronics.

Configurations & Dimensions



Type	A \pm 0.5	B(max)	C \pm 1.0	D (ref.)	E \pm 0.05	F \pm 0.05
TCTK4452	14.7	17.0	5.0	7.35	8.6	5.6
TCTK5052	16.5	18.0	5.0	8.25	11.4	7.6
TCTK6852	21.0	25.0	5.0	10.50	11.4	7.6
TCTK8052	24.1	27.5	5.0	12.05	15.2	11.4

Note: Design as Customer's Requested Specifications

How to Order

TCTK4452

❶

1R0

❷

1R0

❸

❶ Part Number: TCTK4452, TCTK5052, TCTK6852, TCTK8052

❷ Inductance

❸ Tolerance

Code	Tolerance
K	10%
L	15%
M	20%
N	30%
Y	minS

Back to 1st Page - Power Inductor Toroidal Coils (TCTK)