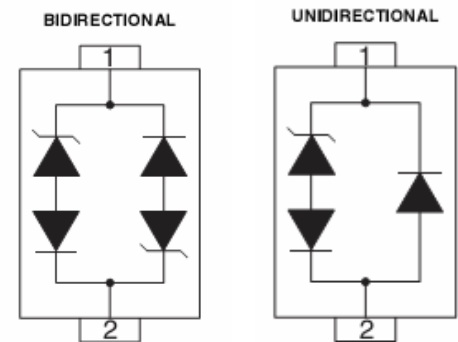




Feature

- 350W peak pulse power per line ($t_p = 8/20\mu s$)
- SOD-323 package
- Replacement for MLV(0805)
- Unidirectional or Bidirectional configurations
- Protects one power or I/O port
- ESD protection > 40 kV
- Low clamping voltage
- RoHS compliant
- Transient protection for data lines to IEC 61000-4-2(ESD) $\pm 15KV(\text{air}), \pm 8KV(\text{contact});$ IEC 61000-4-4 (EFT) 40A (5/50ns)
IEC 61000-4-5(surge): 24A, 8/20 μs -Level 2(line-ground) & Level 3(line-line)



Applications

- Ethernet – 10/100/1000 Base T
- Cellular phones
- Handheld-Wireless Systems
- PDAs
- USB Interface

Electrical characteristics per line@25°C(unless otherwise specified)

Device	V_{RWM}	I_R @ V_{RWM}	Min Breakdown Voltage V_{BR} @1mA	Max Clamping Voltage V_c		Typ. C_j @0V,1MHZ
				@ $I_{P=1A}$	@ I_{PP}	
	Volts	μA	Volts	Volts	Volts	pF
SESLC3V3D323-2U	3.3	1	4.0	7.0	19.0@20.0A	3
SESLC3V3D323-2B	3.3	1	4.0	7.0	19.0@20.0A	3
SESLC5VD323-2U	5	1	6.0	9.8	18.3@17.0A	3
SESLC5VD323-2B	5	1	6.0	9.8	18.3@17.0A	3
SESLC8VD323-2U	8	1	8.5	13.4	18.5@17.0A	3
SESLC8VD323-2B	8	1	8.5	13.4	18.5@17.0A	3
SESLC12VD323-2U	12	1	13.3	19.0	28.6@11.0A	3
SESLC12VD323-2B	12	1	13.3	19.0	28.6@11.0A	3
SESLC16VD323-2U	16	1	16.7	24.0	31.8@10.0A	3
SESLC16VD323-2B	16	1	16.7	24.0	31.8@10.0A	3
SESLC18VD323-2U	18	1	20.0	29.0	45.0@8.0A	3
SESLC18VD323-2B	18	1	20.0	29.0	45.0@8.0A	3
SESLC24VD323-2U	24	1	26.7	43.0	56.0@6.0A	3
SESLC24VD323-2B	24	1	26.7	43.0	56.0@6.0A	3

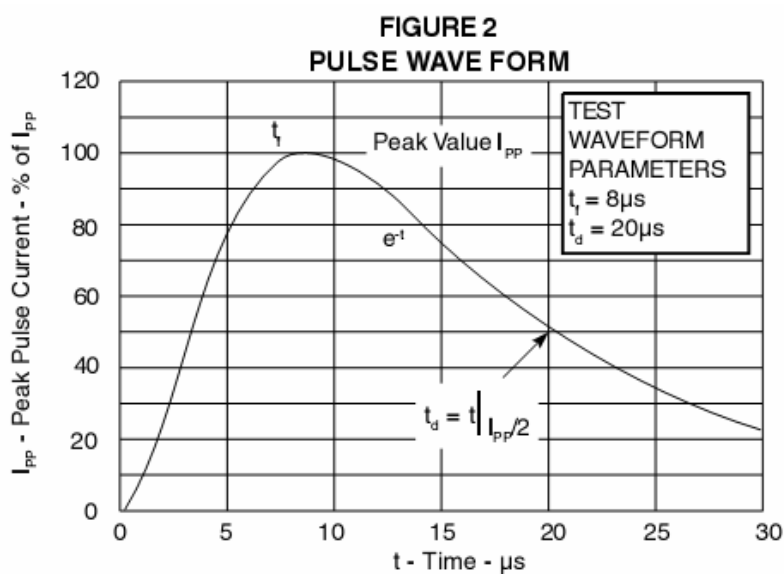
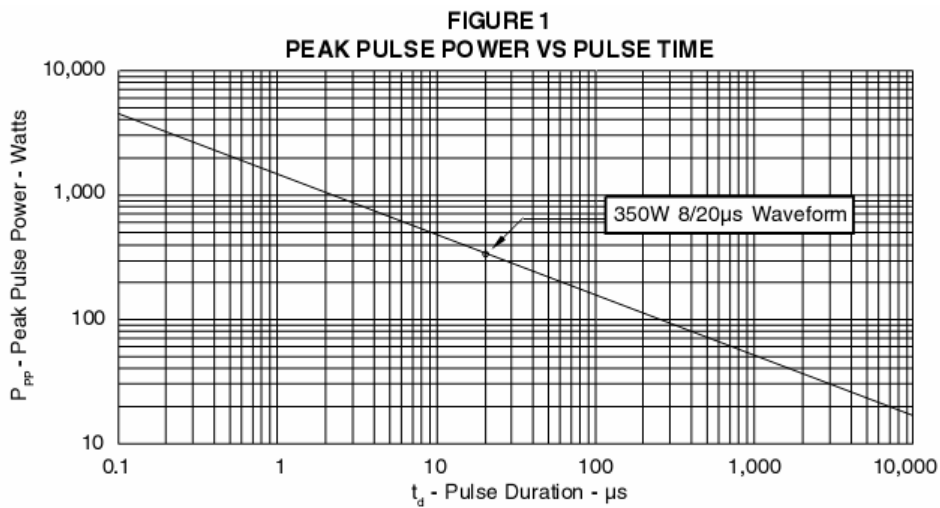


note: Unidirectional: -2U; Bidirectional:-2B

Typical Characteristics

Rating	Symbol	Value	Units
Unidirectional Peak Pulse Power ($t_p=8/20\mu S$)	P_{pp}	350	W
Operating Temperature	T_J	-55 to +150	$^{\circ}C$
Storage Temperature	T_{STG}	-55 to +150	$^{\circ}C$

Absolute maximum rating @25 $^{\circ}C$





Product dimension and pad size

<p>PACKAGE OUTLINE</p>	<p>SOD-323 PACKAGE</p>																																																			
	<p>PACKAGE DIMENSIONS</p> <table border="1"> <thead> <tr> <th rowspan="2">DIM</th> <th colspan="2">MILLIMETERS</th> <th colspan="2">INCHES</th> </tr> <tr> <th>MIN</th> <th>MAX</th> <th>MIN</th> <th>MAX</th> </tr> </thead> <tbody> <tr> <td>A</td> <td>1.60</td> <td>1.90</td> <td>0.063</td> <td>0.075</td> </tr> <tr> <td>B</td> <td>1.15</td> <td>1.45</td> <td>0.045</td> <td>0.057</td> </tr> <tr> <td>C</td> <td>2.39</td> <td>2.70</td> <td>0.094</td> <td>0.106</td> </tr> <tr> <td>D</td> <td>0.80</td> <td>1.10</td> <td>0.031</td> <td>0.043</td> </tr> <tr> <td>E</td> <td>0.25</td> <td>0.40</td> <td>0.010</td> <td>0.016</td> </tr> <tr> <td>F</td> <td>0.10</td> <td>0.20</td> <td>0.004</td> <td>0.008</td> </tr> <tr> <td>H</td> <td>-</td> <td>0.10</td> <td>-</td> <td>0.004</td> </tr> <tr> <td>L</td> <td>0.20</td> <td>-</td> <td>0.008</td> <td>-</td> </tr> </tbody> </table>				DIM	MILLIMETERS		INCHES		MIN	MAX	MIN	MAX	A	1.60	1.90	0.063	0.075	B	1.15	1.45	0.045	0.057	C	2.39	2.70	0.094	0.106	D	0.80	1.10	0.031	0.043	E	0.25	0.40	0.010	0.016	F	0.10	0.20	0.004	0.008	H	-	0.10	-	0.004	L	0.20	-	0.008
DIM	MILLIMETERS		INCHES																																																	
	MIN	MAX	MIN	MAX																																																
A	1.60	1.90	0.063	0.075																																																
B	1.15	1.45	0.045	0.057																																																
C	2.39	2.70	0.094	0.106																																																
D	0.80	1.10	0.031	0.043																																																
E	0.25	0.40	0.010	0.016																																																
F	0.10	0.20	0.004	0.008																																																
H	-	0.10	-	0.004																																																
L	0.20	-	0.008	-																																																
<p>MOUNTING PAD</p>	<p>NOTES</p> <ol style="list-style-type: none"> Controlling Dimensions in Millimeters. Dimensions are exclusive of mold flash and metal burrs. <p>TAPE & REEL ORDERING NOMENCLATURE</p>																																																			

Carrier size

DIM	Min.	Max.
Ao	1.42	1.62
Bo	2.80	3.00
Ko	1.25	1.45
Po	3.90	4.10
P1	3.90	4.10
P2	1.95	2.05
T	0.24	0.27
E	1.65	1.85
F	3.45	3.55
Do	1.40	1.60
D1	0.75	1.25
W	7.90	8.30
G	-	*2.08
H	-	*1.07
I	-	*0.84
a1	-	5°
a2	-	8°

*: Typical, Unit: mm

Revision History

Revision	Date	Changes
1.0	2008-7-3	-