

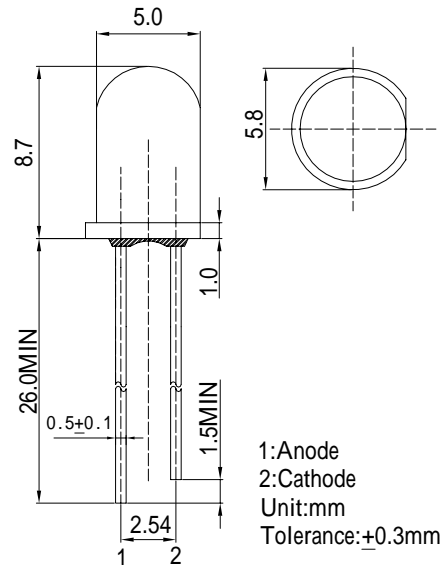
Features

- High Luminous LEDs
- 5mm Round Standard Directivity
- Superior Weather-resistance
- Full Color Flashing Type
- Water Clear Type

Applications

- Toys
- Games
- Audio
- Other Lighting

Outline Dimension

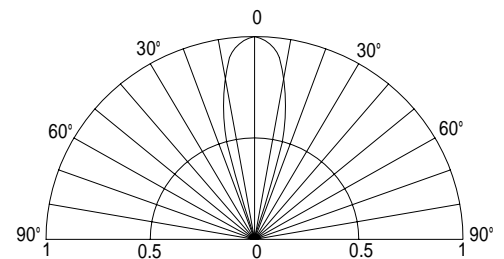


Absolute Maximum Rating

($T_a=25^\circ\text{C}$)

| Item | Symbol | Value | Unit |
|----------------------------|-----------|-----------------|------|
| Blinking Cycle | T | 12 | S |
| Power Supply | Voltage | 5.0 | V |
| Operating Temperature | T_{opr} | $-30 \sim +85$ | |
| Storage Temperature | T_{stg} | $-40 \sim +100$ | |
| Lead Soldering Temperature | T_{sol} | 260 /5sec | |

Directivity



Electrical -Optical Characteristics

($T_a=25^\circ\text{C}$)

| Item | Symbol | Condition | Min. | Typ. | Max. | Unit |
|--------------------|------------------------|-------------------|------|------|------|---------------|
| DC Forward Voltage | V _{dd} | $I_F=20\text{mA}$ | 3.8 | 4.5 | 5 | V |
| DC Reverse Current | I_R | $V_R=5\text{V}$ | - | - | 10 | μA |
| Domi. Wavelength | λ_D (Red) | $I_F=20\text{mA}$ | 619 | 624 | 629 | nm |
| | λ_D (Blue) | $I_F=20\text{mA}$ | 465 | 470 | 475 | nm |
| | λ_D (Green) | $I_F=20\text{mA}$ | 520 | 525 | 530 | nm |
| Luminous Intensity | I _v (Red) | $I_F=20\text{mA}$ | - | 8000 | - | mcd |
| | I _v (Blue) | $I_F=20\text{mA}$ | - | 4000 | - | mcd |
| | I _v (Green) | $I_F=20\text{mA}$ | - | 8000 | - | mcd |
| 50% Power Angle | $2\theta_{1/2}$ | $I_F=20\text{mA}$ | - | 30 | - | deg |

*1 Tolerance of dominant Wavelength is ± 1 nm

*2 Tolerance of luminous intensity is $\pm 15\%$