

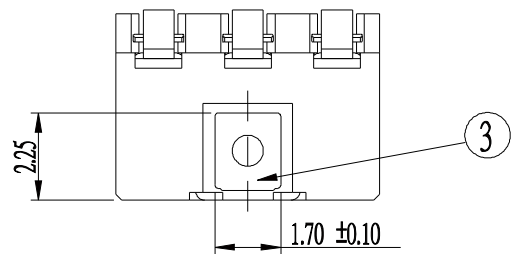
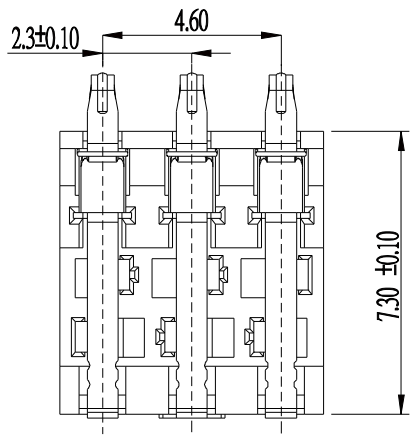
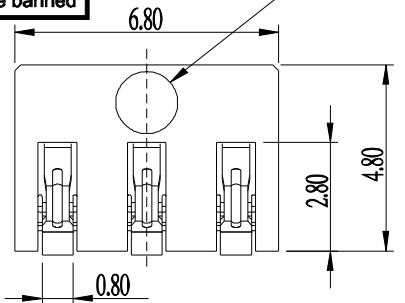


RoHS Compliant
2002/95/EC

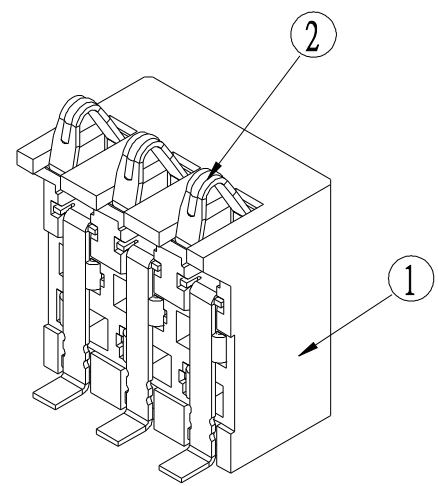
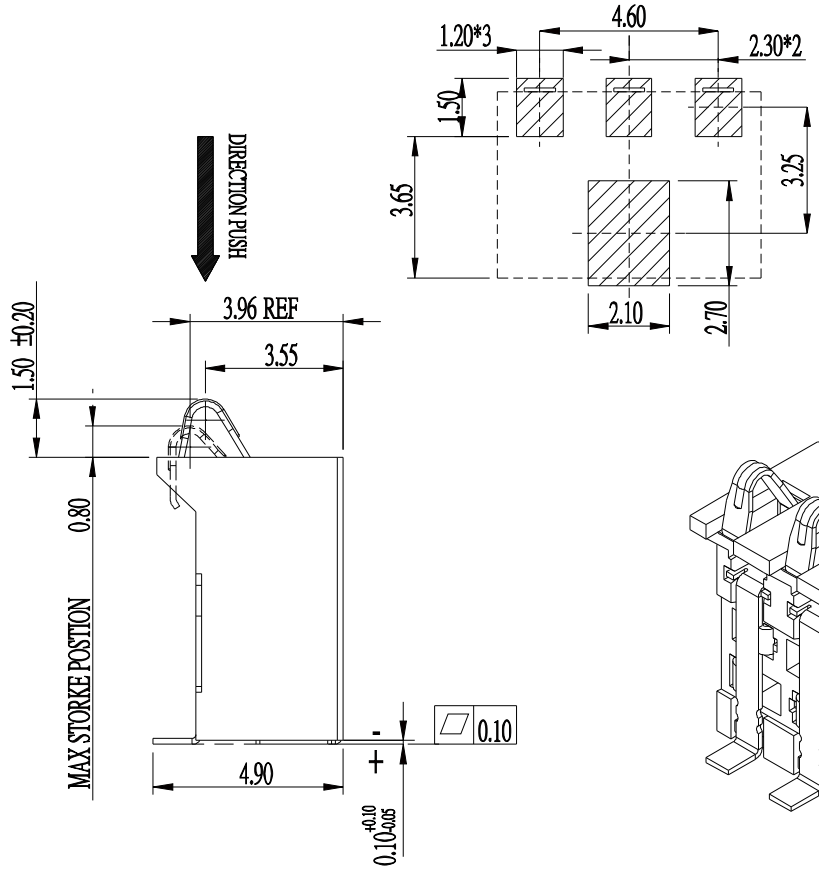
HSF

Level-1 Controlled Substances are banned

1.60 REF. SUCKING AREA FOR PICK AND PLACE



RECOMMENDED P.C.B LAYOUT (COMPONENT SIDE)
P.C.B THICKNESS=0.80mm(TOLERANCE=±0.05)



NOTE:
30g OR MORE PEN PIN
STROKE=0.70mm

3	FORK	MATEL	—	TIN PLATED
2	TERMINAL	HIGH TEMP.PLASTIC	—	GOLD PLATED OVER NI
1	HOUSING	COPPER ALLOY	BLACK	UL 94V-0
NO.	DESCRIPTION	MATERIAL	COLOR	REMARK

SUYIN
CONNECTOR

CUSTOMER COPY	TITLE: 2.30mm PITCH SPRING BATTERY CONN.			
PART NO.	060065MA003G400ZL			
PRODUCT SPEC.	060065MA -SERIES			
FILE NAME.	D	060065MA003G400ZL-C		
SCALE	5:1	UNIT:mm	A4	SHEET: 1 of 2

Angle	±2°	DRAW	劉俊	08/08/20
30 ~	±0.50	DESIGN	劉俊	08/08/20
10 ~ 30	±0.30	CHECK	蔣武向	08/08/20
~ 10	±0.15	APPRO.	蔡志鴻	08/08/20
GENERAL TOLERANCE UNLESS OTHERWISE NOTED				

Original:Draw: 劉俊 Design: 劉俊 Check: 蔣武向 Appro: 蔡志鴻 發行日期: 08/01/30

080130-BA030