

SYS-6W6806-3H01

**6-slot Intel® Core™ 2
Duo PICMG 1.3
Half-size SBC System**



Features

- **Intel 945GME platform**
 - Complies with PICMG 1.3
 - Supports Socket-M Intel Core 2 Duo with 533/667 MHz FSB
 - Supports dual channel DDR2 400/533/667 MHz SDRAM up to 4 GB
- **Expandability**
 - Supports up to 6 PCIe add-on cards
 - Offers one 3.5" FDD and one 3.5" HDD drive bays
 - Supports two front-accessible USB ports

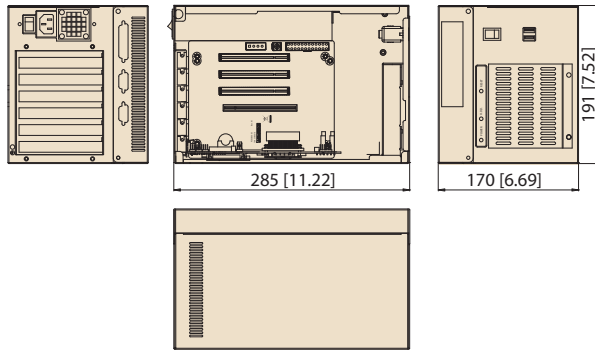


Specifications

Form Factor	Wallmount / Desktop			
Processor System	Chipset	Intel 945GME + ICH7M		
	CPU	Core 2 Duo 2.16 GHz	Core Duo 2.0 GHz	Celeron M 1.86 GHz
	L2 Cache	2 MB / 4 MB	2 MB	1 MB
	Front Side Bus	533/667 MHz		
	Memory	Dual channel DDR2 400/533/667 SDRAM 2 x 200-pin SODIMM up to 4 GB		
Graphics	Controller	Intel GMA950 integrated		
	VRAM	Dynamically shared system memory up to 224 MB		
Expansion Slot	PCIe x 16	1		
	PCIe x 1	1		
	PCI	3		
Storage	Floppy Disk (supported)	3.5" 1.44 MB FDD		
	HDD (supported)	SATA		
Drive Bay	3.5" (front-accessible)	1		
	3.5" (internal)	1		
Ethernet	Interface	10/100/1000 Mbps Gigabit Ethernet		
	Controller	Intel 82566DM		
Front I/O Interface	USB	2		
	PS/2	1		
Rear I/O Interface	COM	2 ~ 4		
	VGA	1		
	Parallel	1		
	RJ-45	1		
	Audio	-		
	Operating System	Microsoft Windows 2000/ XP / Vista		
Watchdog Timer	Output	System reset		
	Interval	Programmable 1 ~ 255 seconds		
Power Supply	Power Output Wattage	150 W		
	Input Range	AC 100 ~ 240 V		
Cooling	Chassis Fan	1 (9 cm / 53 CFM)		
	Air Filter	Yes		
Miscellaneous	LED Indicators	Power status and HDD activity		
Environment	Temperature	Operating 0 ~ 40° C (32 ~ 104° F)	Non-Operating -20 ~ 60° C (-4 ~ 140° F)	
	Humidity	10 ~ 85% @ 40° C non-condensing		10 ~ 95% @ 40° C non-condensing
	Physical Characteristics	Dimensions (W x H x D)	191 x 170 x 285 mm (7.5" x 6.7" x 11.2")	
	Weight	5.6 kg (12.3 lb)		

Dimensions

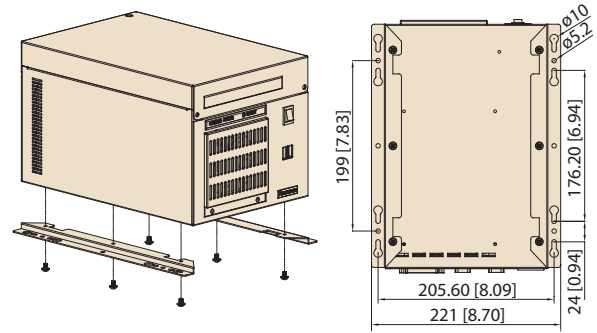
Unit: mm (inch)



	Dimensions		
	IPC-6806S	IPC-6806	IPC-6806W
A	285	393	393
B	290	398	398
C	191	166	198
D	221	196	228
E	170	170	213
F	178	178	221

Installation

Unit: mm (inch)



	Dimensions		
	IPC-6806	IPC-6806W	IPC-6806S
G	305	305	199
H	282	282	176.2
I	23	23	24
J	180.6	212.6	205.6
K	196	228	221

System Content

Item	Part Number
Chassis	IPC-6806SB-15ZBE
SBC	PCE-3132VG-00A1E
CPU Cooler	Included
Backplane	PCE-3B06-03A1E
Optional Accessory	1701090401 (Dual COM ports cable kit)



One 53-CFM cooling fan with filter
USB