

Ultra160 Multi-mode LVD/SE SCSI Terminator

Features

- Auto-selectable multi-mode Single-Ended or LVD Termination
- Meets SCSI-1, SCSI-2, SCSI-3 SPI Ultra (Fast-20), Ultra 2(SPI-2 LVD), Ultra160 (SPI-3 LVD) standards.
- Supports active negation
- 3pF channel capacitance
- Thermal protection
- Hot-swap compatible
- 5% tolerance on SE and LVD termination resistance
- 28 and 36 pin SSOP package
- 28 Pin SSOP: Pin Compatible with DS2119
- 36 Pin SSOP: Pin Compatible with DS2118, LX5241 and UCC5630

Applications

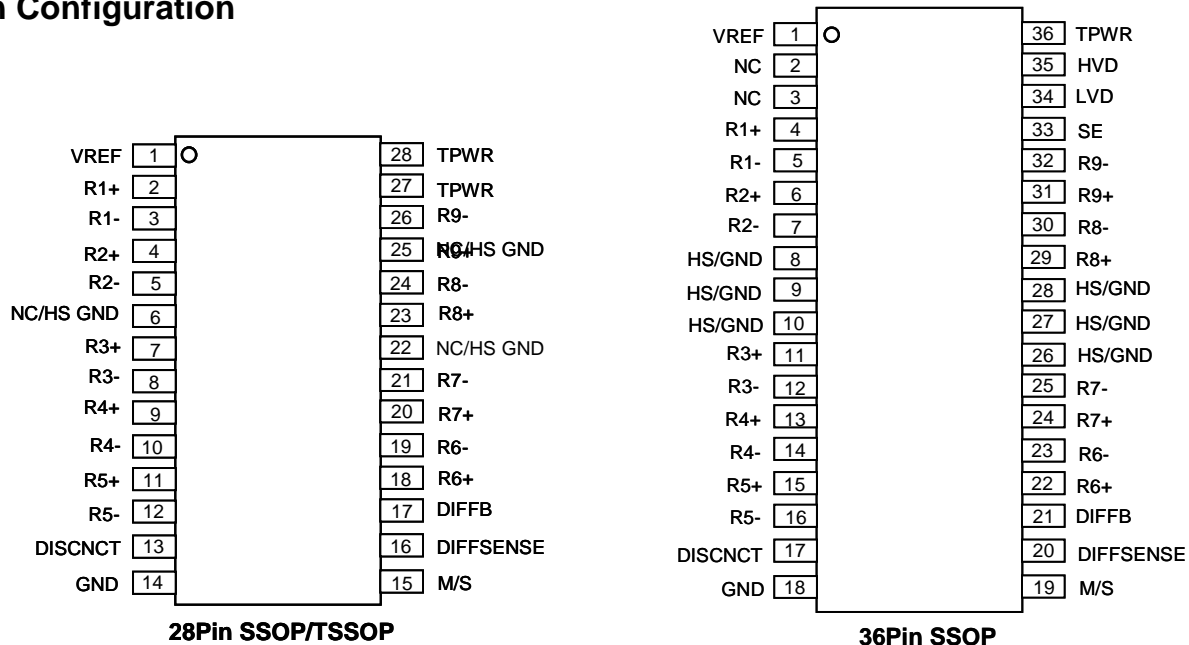
- Server and workstation
- High-end PC
- Industrial PC
- Disk Array (RAID)
- SCSI cable

General Description

The SS8218 Multi-mode LVD/SE SCSI terminator provides a smooth transition to the next generation of the SCSI Parallel Interface (SPI-3). It automatically senses the bus, via DIFFSENS, and switches the termination to either single-ended (SE) or low voltage differential (LVD) SCSI, dependent on which type of devices are connected to the bus. If the SS8218 detects a HVD SCSI device, it switches to a high impedance state. For a 16-bit Wide SCSI bus to be operational, three SS8218 terminators are needed.

The Multi-mode terminator contains all functions required to terminate and auto detect and switch modes for SCSI Parallel Interface (SPI) bus architectures. For the SE termination, one regulator and nine precision 110ohm resistors are used. For the LVD termination, the SS8218 integrates 18 regulated supplies with nine precision resistor strings.

Pin Configuration



Ordering Information

PART NUMBER	TEMP. RANGE	PIN-PACKAGE	FEATURE
SS8218-S4TB	0°C-70°C	SSOP-28 pin / Tube	DISCNCT does not disable VREF
SS8218-S4TR	0°C-70°C	SSOP-28 pin / Tape & Reel	DISCNCT does not disable VREF
SS8218-S5TB	0°C-70°C	SSOP-36 pin / Tube	DISCNCT does not disable VREF
SS8218-S5TR	0°C-70°C	SSOP-36 pin / Tape & Reel	DISCNCT does not disable VREF
SS8218-D3TB	0°C-70°C	TSSOP-28 pin / Tube	DISCNCT does not disable VREF
SS8218-D3TR	0°C-70°C	TSSOP-28 pin / Tape & Reel	DISCNCT does not disable VREF

Note:

DIFFSENS—Refers to the SCSI bus signal.

DIFFSENSE—Refers to the SS8218 pin name and internal circuitry relating to differential sensing.

DIFFB—Refers to the SS8218 pin name and internal circuitry relating to monitoring the DIFFSENS line.

Functional Description

The SS8218 is used in multi-mode active termination applications, where single ended (SE) and low voltage differential (LVD) devices might coexist. The LVD termination section consists of 18 source/sink amplifiers (VTOP, VBOT), biasing circuitry and nine precision resistor strings (RTOP, RMID, RBOT). The SE termination section consists of a 2.85V source/sink regulator with 9 precision 110ohm resistor. The DIFFSENSE section consists of a 1.3V, 5mA driver and a sensing circuit (Figure 1)

DIFFSENS is used to identify which types of SCSI devices are present on the bus. If the voltage on DIFFSENS is between 0-0.5V the bus is single-ended; if it is between 0.7-1.9V the bus is LVD; and if it is greater than 2.4V, the bus is HVD.

The SS8218 DIFFB pin monitors the DIFFSENS line to determine the proper operating mode of the device; this mode is indicated by the SE/LVD/HVD outputs.

HVD Isolation Mode The SS8218 identifies that there is an HVD (high voltage differential) device on the SCSI bus and isolates the termination pins from the bus.

When DISCNCT is pulled high, the termination pins are isolated from the SCSI bus, and the bus mode indicators (SE/LVD/HVD) as well as VREF remains active. During thermal shutdown, the termination pins are isolated from the SCSI bus and VREF becomes high impedance. The DIFFSENSE driver is shut down during either of these two events.

To ensure proper operation, the TPWR pin should be connected to the SCSI bus TERMPWR line. As with all analog circuitry, the TERMPWR lines should be bypassed locally. A 2.2µF capacitor and a 0.01µF high frequency capacitor is recommended between TPWR

and ground and placed as close as possible to the SS8218. The 8218 should be placed as close as possible to the SCSI connector to minimize signal and power trace length, thereby resulting in less input capacitance and reflections which can degrade the bus signals.

The DIFFSENSE pin can drive the SCSI DIFFSENS line (when M/S is pulled high) to determine the SCSI bus operating mode. The SS8218 switches to the termination mode that is appropriate for the bus based on the value of the DIFFSENS voltage. These modes are:

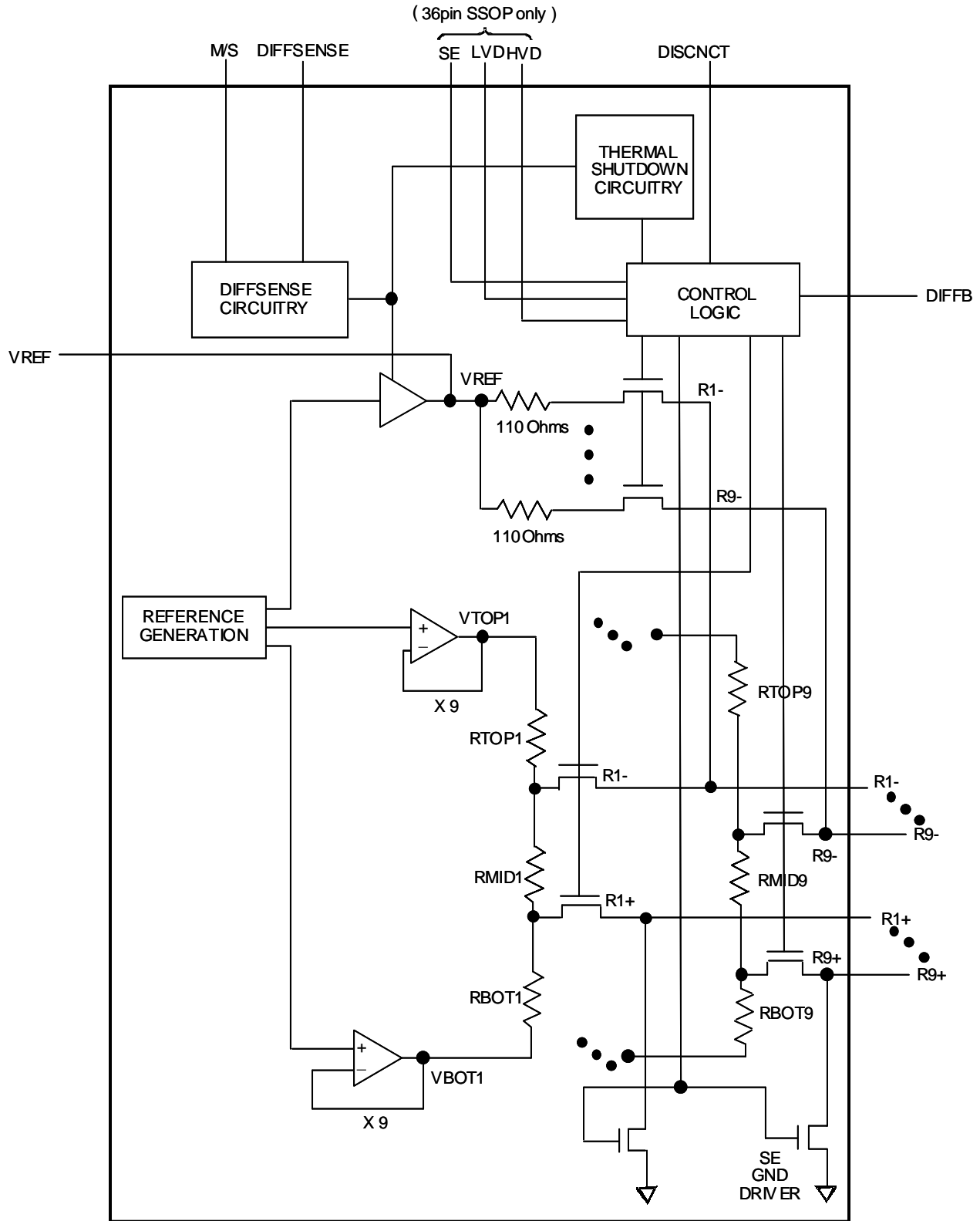
LVD mode LVD termination is provided by a precision resistor string with two amplifiers. This configuration yields a 105Ω differential and 150Ω common mode impedance. A fail safe bias of 112mV is maintained when no drivers are connected to the SCSI bus.

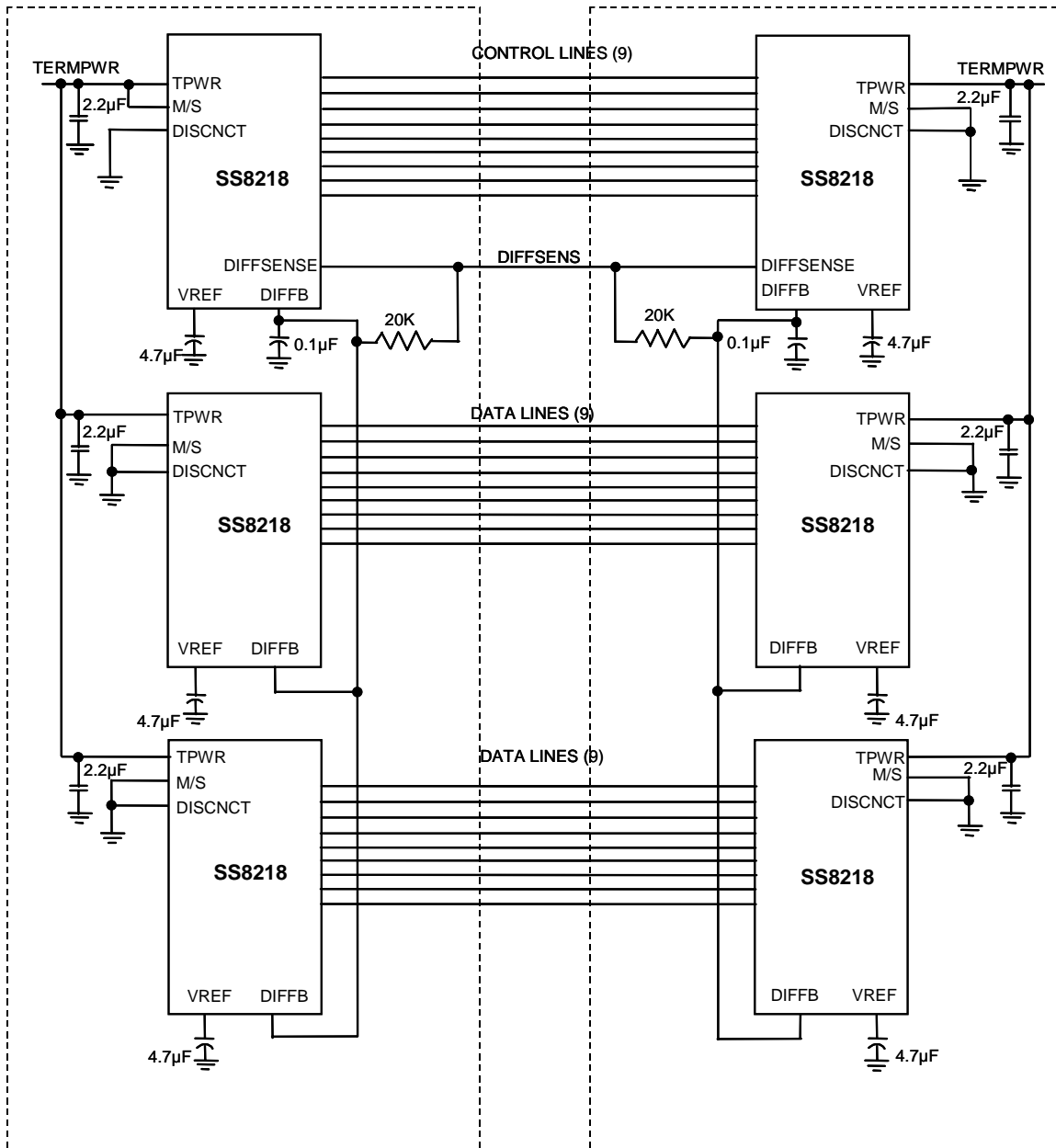
SE mode When the external driver for a given signal line turns off, the active terminator will pull that signal line to 2.85 volts (quiescent state). When used with an active negation driver, the power amp can sink 22mA per line while keeping the voltage reference in regulation. The terminating resistors maintain their 110Ω value.

To maintain the specified regulation, a 4.7µF capacitor is required between the VREF pin and ground of each SS8218. A high frequency cap (0.1µF ceramic recommended) can also be placed on the VREF pin in applications that use fast rise/fall time drivers. A typical SCSI bus configuration is shown in Figure2.

An internal pull down resistor assures that the SS8218 will be terminating the bus if the DISCNCT pin is left floating.

Block Diagram (Figure 1)



SCSI Bus Configuration (Figure 2)


Recommended Operating Conditions

PARAMETER	SYMBOL	MIN	TYP	MAX	UNITS
Termpower Voltage	$V_{tpwr (SE)}$	4.0	5	5.5	V
	$V_{tpwr (LVD)}$	2.9	5	5.5	
Logic 0	V_{il}	-0.3		+0.8	V
Logic 1	V_{ih}	2.0		$V_{tpwr}+0.3$	V
Operating Temperature	T_{amb}	0		70	°C

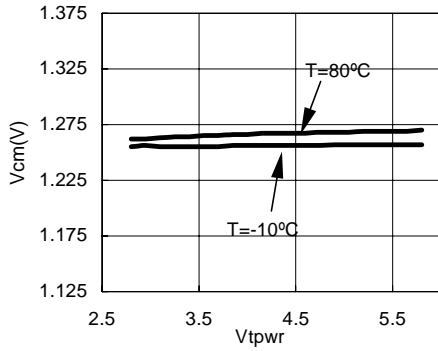
Electrical Characteristics

Unless otherwise specified, these specifications apply over the operating ambient temperature range of $0^{\circ}\text{C} \leq T_A \leq 70^{\circ}\text{C}$.

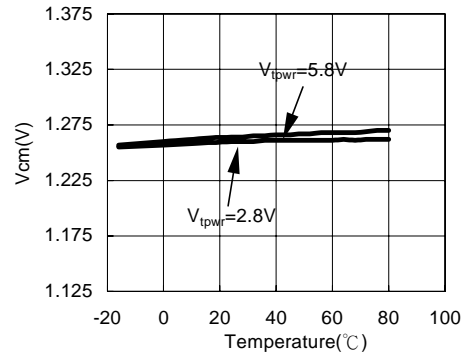
PARAMETER	SYMBOL	Condition	MIN	TYP	MAX	UNITS
LVD Terminator Section						
Differential Mode Termination Resistance	Rdm		100	105	110	Ohms
Common Mode Termination Resistance	Rcm		110	150	190	Ohms
Differential Mode Bias	Vdm	All lines Open	100	112	125	mV
Common Mode Bias	Vcm		1.125	1.25	1.375	V
Single Ended Terminator Section						
Output Capacitance	Cout	Note			3	pF
SE Termination Resistance	Rse	Vline = 0-3.0 volts	104.5	110	115.5	Ohms
SE Voltage Reference	Vref		2.79	2.85	2.93	Volts
SE output Current	Iose	Vline = 0.2 volts			25.4	mA
Regulator Section						
Line Regulation	L _{REG}			1.0	2.5	%
Load Regulation	L _{OREG}			1.3	3.5	%
Current Limit	I _{LIM}			350		mA
Sink Current	I _{SINK}		200			mA
DC Section						
Termpower Current	I _{tpmr}	SE mode (No Load)		4		mA
		LVD mode (No Load)		20		
Input Leakage High	I _{ih}		-1.0			μA
Input Leakage Low	I _{il}				1.0	μA
Output Current High	I _{oh}	V _{out} = 2.4 volts; SE/LVD/HVD Pins only	-1.0			mA
Output Current Low	I _{ol}	V _{out} =0.4 volts; SE/LVD/HVD Pins only	4.0			mA
DIFFSENS Section						
DIFFSENS SE Operating Range	V _{seor}		-0.3		0.5	V
DIFFSENS LVD Operating Range	V _{lvdor}		0.7		1.9	V
DIFFSENS HVD Operating Range	V _{hvdor}		2.4		$V_{tpwr}+0.3$	V
DIFFSENSE Driver Output Voltage	V _{dso}	M/S=1; I _{ds} = 0-5mA	1.2		1.4	V
DIFFSENSE Driver Source Current	I _{dsh}	M/S = 1; V _{dso} =0V		5	15	mA
DIFFSENSE Driver Sink Current	I _{dsl}	M/S=1; V _{dso} =2.75V	20		200	μA

Note: Guaranteed by Design.

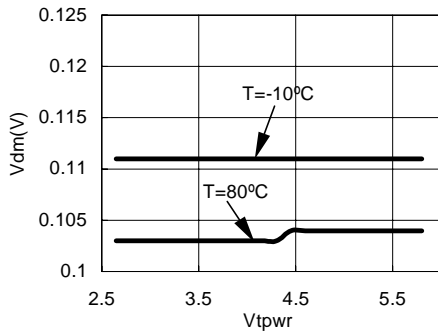
Common Mode Bias Vcm - Vtpwr



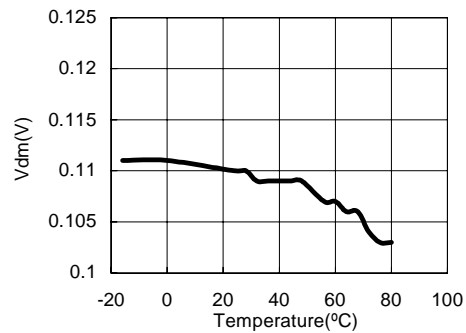
Common Mode Bias Vcm - Temperature



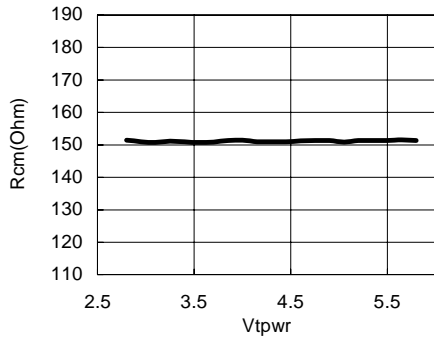
Differential Mode Bias Vdm - Vtpwr



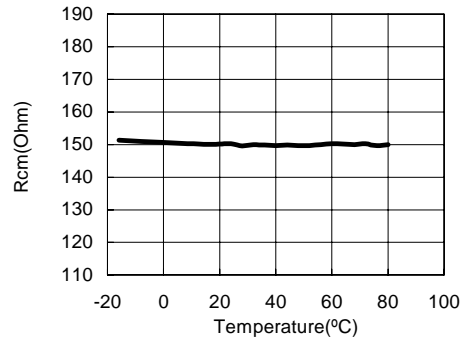
Differential Mode Bias Vdm - Temperature @Vtpwr=5V



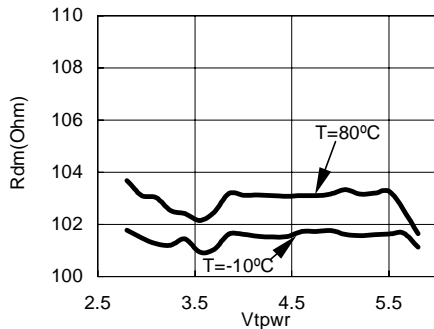
Common Mode Termination Resistance Rcm - Vtpwr @Temperature=24°C



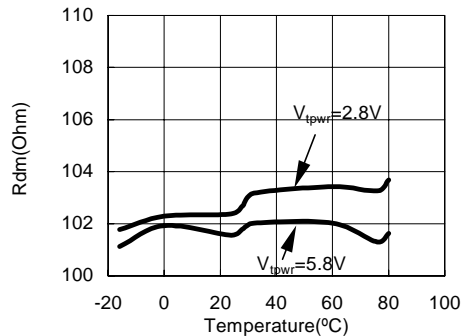
Common Mode Termination Resistance Rcm - Temperature @Vtpwr=5V



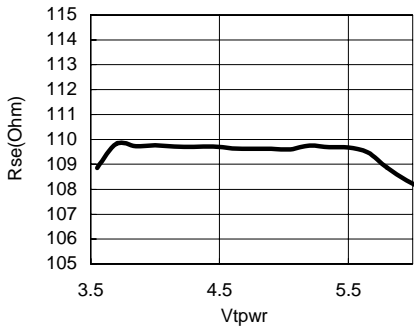
Differential Mode Termination Resistance Rdm - Vtpwr



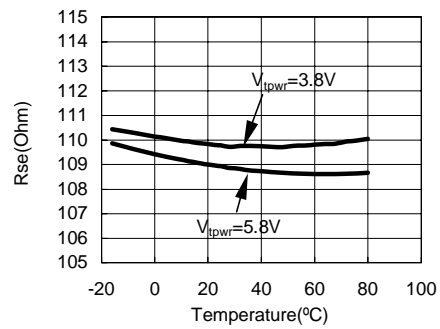
Differential Mode Termination Resistance Rdm - Temperature



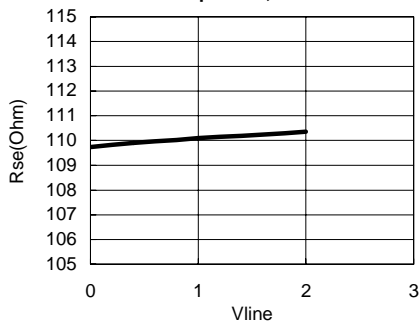
SE Termination Resistance Rse - Vtpwr
@T=24°C;Vline=0V



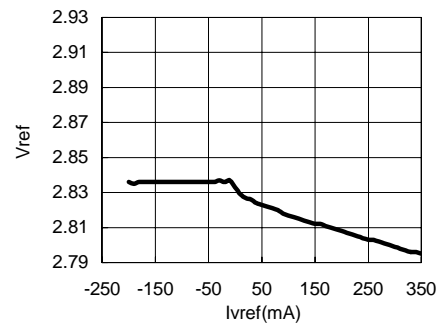
SE Termination Resistance Rse - Vtpwr
@Vline=0V



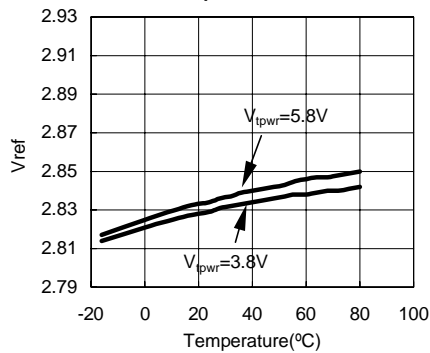
SE Termination Resistance Rse - Vtpwr
@Vtpwr=5V;T=24°C



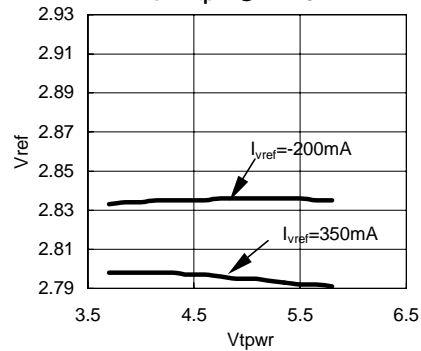
Vref - Ivref@Vtpwr=5V;T=24°C



Vref - Temperature@Ivref=0mA



Vref - Vtpwr@T=24°C



Pin Description (for 28pin SSOP/TSSOP)

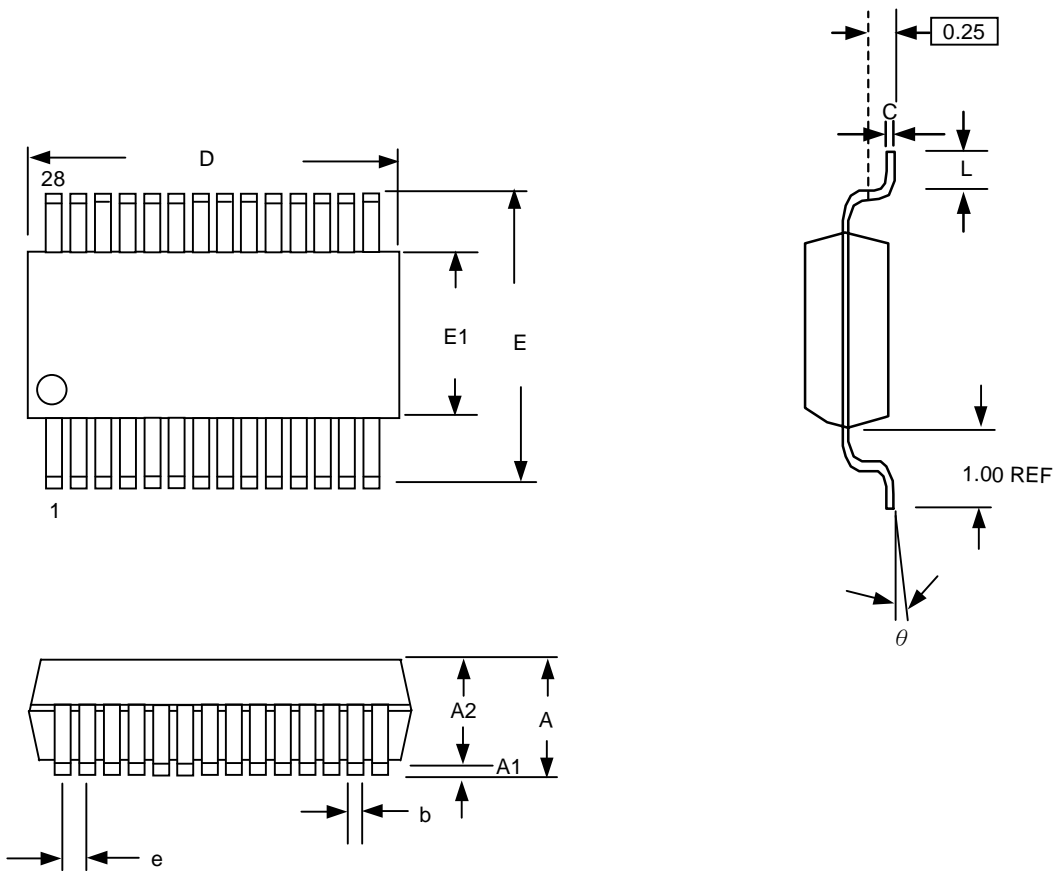
PIN	SYMBOL	DESCRIPTION
1	VREF*	Reference Voltage. 2.85-volt reference; must be connected to a 4.7 μ F capacitor.
2-5,7-12, 18-21, 23-26	Rx+, Rx-	Signal Termination. (X=1,2,3,.....9) Rx+: Ground line for single-ended or positive line for differential applications for the SCSI bus. Rx-: Signal line/active line for single-ended or negative line in differential applications for the SCSI bus.
6,22	NC/ HS GND	No Connect/ HS GND. Should be grounded for heat sinking purpose.
13	DISCNCT	Disconnect. When pulled high, the SS8218 isolates its bus pins (Rx+, Rx-) from the SCSI bus.
14	GND	Ground. Terminator ground pin. Connected to ground.
15	M/S	Master/slave. Used to select which terminator is the controlling device. M/S pin high enables the DIFFSENSE driver.
16	DIFFSENSE	Output to drive the SCSI bus DIFFSENS line.
17	DIFFB	DIFFB pin should be connected to a 0.1 μ F capacitor to GND and 20k resistor to SCSI/Bus DIFFSENS line. An input pin to detect the type of device (differential or single-ended) on the SCSI bus.
27,28	TPWR	Terminator Power. Connect to the SCSI TERMPWR line and de-couple with a 2.2 μ F capacitor.

*The VREF keeps the level at 2.85 volt, despite the DISCNCT pin is asserted or not; even the termination mode is changed.

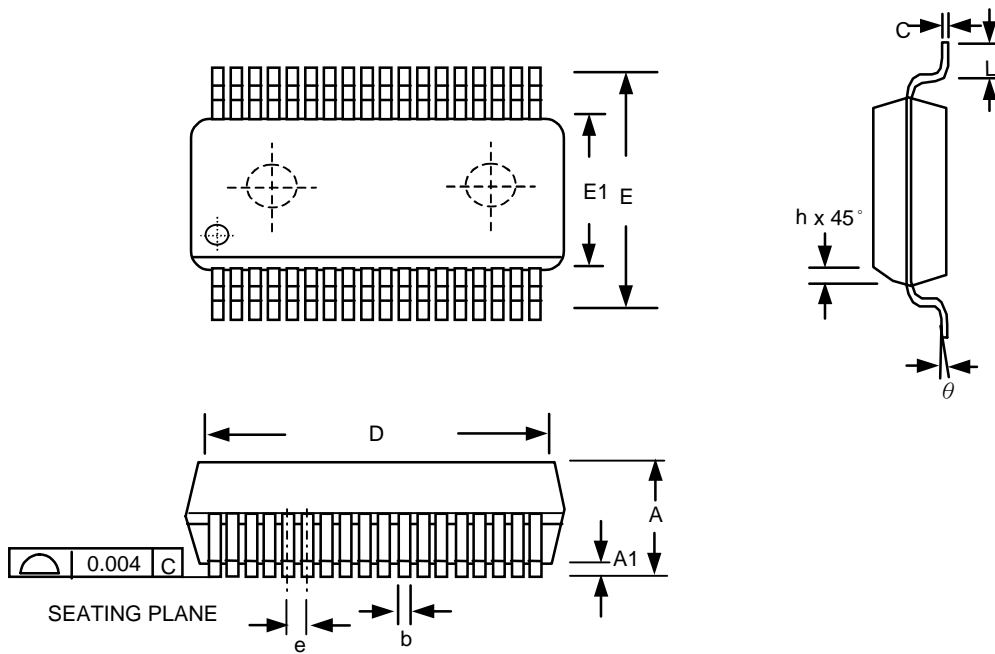
(36pin SSOP)

PIN	SYMBOL	DESCRIPTION
1	VREF*	Reference Voltage. 2.85-volt reference; must be connected to a 4.7 μ F capacitor.
2,3	NC	No Connect. Do not connect these pins.
4-7,11-16, 22-25, 29-32	Rx+ Rx-	Signal Termination. (X=1,2,3,.....9) Rx+: Ground line for single-ended or positive line for differential applications for the SCSI bus. Rx-: Signal line/active line for single-ended or negative line in differential applications for the SCSI bus.
8, 9,10,26, 27,28	HS/GND	Heat Sink Ground. Connect to large area PC board traces to increase power dissipation capability.
17	DISCNCT	Disconnect. When pulled high, the SS8218 isolates its bus pins (Rx+, Rx-) from the SCSI bus.
18	GND	Ground. Terminator ground pin. Connected to ground.
19	M/S	Master/slave. Used to select which terminator is the controlling device. M/S pin high enables the DIFFSENSE driver.
20	DIFFSENSE	Output to drive the SCSI bus DIFFSENS line.
21	DIFFB	DIFFB pin should be connected to a 0.1 μ F capacitor to GND and 20k resistor to SCSI/Bus DIFFSENS line. An input pin to detect the type of device (differential or single-ended) on the SCSI bus.
33	SE	Single ended mode indicator. It is HIGH when terminator is operating in SE mode.
34	LVD	Low Voltage Differential mode indicator. It is HIGH when terminator is operating in LVD mode.
35	HVD	High Voltage Differential mode indicator. It is HIGH when terminator is operating in HVD mode.
36	TPWR	Terminator Power. Connect to SCSI bus TERMPWR line and decouple with 2.2 μ F capacitor.

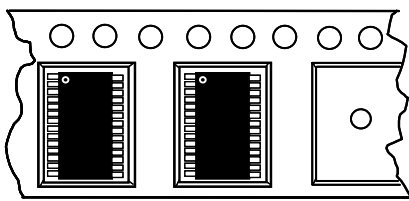
*The VREF keeps the level at 2.85 volt, despite the DISCNCT pin is asserted or not; even the termination mode is changed.

Package Information (28 pin SSOP)


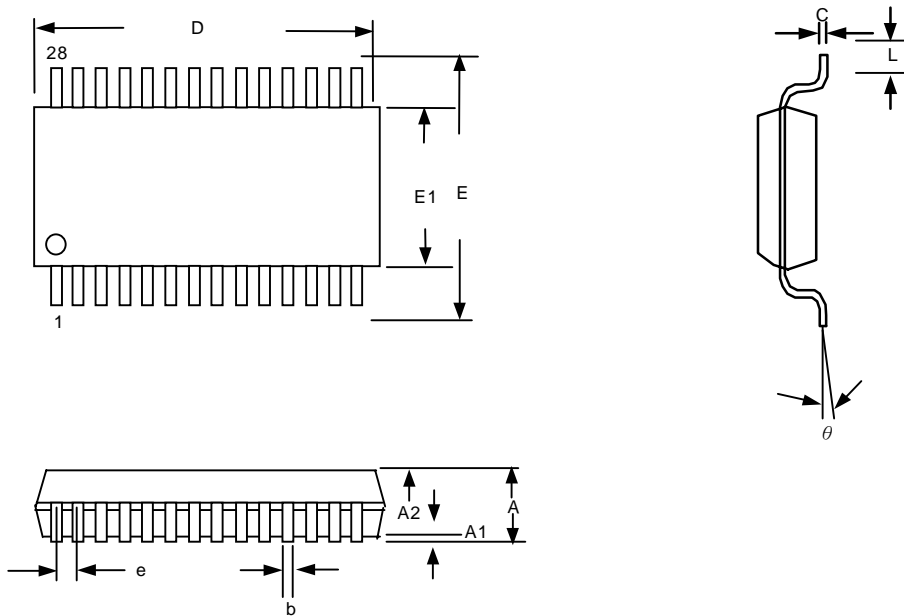
Symbol	Dimension in mm			Dimension in inch		
	Min.	Typ.	Max.	Min.	Typ.	Max.
A	1.35	1.60	1.75	0.053	0.064	0.069
A1	0.10	-----	0.25	0.004	-----	0.010
A2	-----	1.45	-----	-----	0.057	-----
b	0.20	0.25	0.30	0.008	0.010	0.012
C	0.19	-----	0.25	0.007	-----	0.010
D	9.80	-----	10.00	0.386	-----	0.394
E	5.80	-----	6.20	0.228	-----	0.244
E1	3.80	-----	4.00	0.150	-----	0.157
e	-----	0.64	-----	-----	0.025	-----
L	0.40	-----	1.27	0.016	-----	0.050
y	-----	-----	0.10	-----	-----	0.004
θ	0°	-----	8°	0°	-----	8°

36 pin SSOP


Symbol	Dimension in mm			Dimension in inch		
	Min.	Typ.	Max.	Min.	Typ.	Max.
A	2.413	2.591	2.794	0.095	0.102	0.110
A1	0.203	0.305	0.406	0.008	0.012	0.016
b	0.300		0.450	0.012		0.018
c	0.127		0.254	0.005		0.010
D	15.748	15.875	16.002	0.620	0.625	0.630
e	0.800 BASIC			0.032 BASIC		
E	10.033		10.668	0.395		0.420
E1	7.391	7.493	7.595	0.291	0.295	0.289
h	0.381		0.635	0.015		0.025
L	0.508		1.016	0.020		0.040
θ	0		8	0		8

Taping Specification


Typical SSOP, TSSOP Package Orientation

28 pin TSSOP

NOTE:

1. Package body sizes exclude mold flash protrusions or gate burrs
2. Tolerance $\pm 0.1\text{mm}$ unless otherwise specified
3. Coplanarity : 0.1mm
4. Controlling dimension is in millimeter. Converted inch dimensions are not necessarily accurate.
5. Follow JEDEC MO-153

SYMBOL	DIMENSION IN MM			DIMENSION IN INCH		
	MIN.	NOM.	MAX.	MIN.	NOM.	MAX.
A	-----	-----	1.20	-----	-----	0.048
A1	0.05	-----	0.15	0.002	-----	0.006
A2	0.80	1.00	1.05	0.031	0.039	0.041
b	0.19	-----	0.30	0.007	-----	0.012
C	0.09	-----	0.20	0.004	-----	0.008
D	9.60	9.70	9.80	0.378	0.382	0.386
E	-----	6.40	-----	-----	0.252	-----
E1	4.30	4.40	4.50	0.169	0.173	0.177
e	-----	0.65	-----	-----	0.026	-----
L	0.45	0.60	0.75	0.018	0.024	0.030
y	-----	-----	0.10	-----	-----	0.004
θ	0°	-----	8°	0°	-----	8°

Information furnished by Silicon Standard Corporation is believed to be accurate and reliable. However, Silicon Standard Corporation makes no guarantee or warranty, express or implied, as to the reliability, accuracy, timeliness or completeness of such information and assumes no responsibility for its use, or for infringement of any patent or other intellectual property rights of third parties that may result from its use. Silicon Standard reserves the right to make changes as it deems necessary to any products described herein for any reason, including without limitation enhancement in reliability, functionality or design. No license is granted, whether expressly or by implication, in relation to the use of any products described herein or to the use of any information provided herein, under any patent or other intellectual property rights of Silicon Standard Corporation or any third parties.