

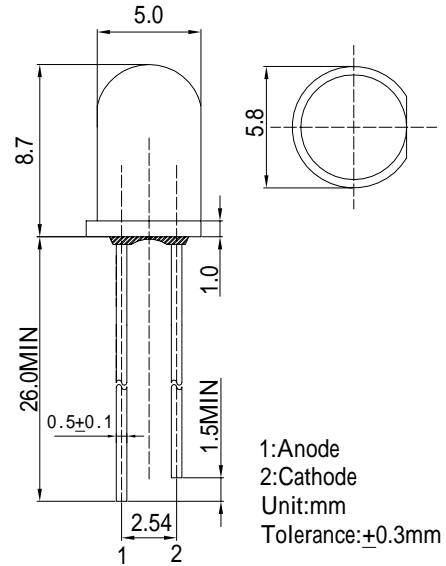
### Features

- High Luminous LEDs
- 5mm Standard Directivity
- Superior Weather-resistance
- Bi-Color Flashing Type
- Water Clear Type

### Applications

- Toys
- Games
- Audio
- Other Lighting

### Outline Dimension

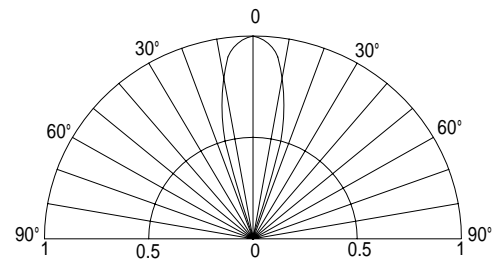


### ■ Absolute Maximum Rating (Ta=25 °C)

Item	Symbol	Value	Unit
Oscillator Frequency	Fled	1.8	Hz
Power Supply	Voltage	4.5	V
Operating Temperature	Topr	-30 ~ +85	
Storage Temperature	Tstg	-40 ~ +100	
Lead Soldering Temperature	Tsol	260 /5sec	-

\*Pulse width Max.10ms Duty ratio max 1/10

### ■ Directivity



### ■ Electrical -Optical Characteristics (Ta=25 °C)

Item	Symbol	Conditio	Min.	Typ.	Max.	Unit
DC Forward Voltage	V <sub>dd</sub>	I <sub>F</sub> =20mA	3.0	3.3	4.5	V
DC Reverse Current	I <sub>R</sub>	V <sub>R</sub> =5V	-	-	10	μA
Domi. Wavelength*	λ <sub>D</sub> (Red)	I <sub>F</sub> =20mA	619	624	629	nm
	λ <sub>D</sub> (Green)	I <sub>F</sub> =20mA	520	525	530	nm
Luminous Intensity*	I <sub>v</sub> (Red)	I <sub>F</sub> =20mA	-	8000	-	mcd
	I <sub>v</sub> (Green)	I <sub>F</sub> =20mA	-	8000	-	mcd
50% Power Angle	2θ <sub>1/2</sub>	I <sub>F</sub> =20mA	-	30	-	deg

\*1 Tolerance of dominant wavelength is  $\pm 1$ nm

\*2 Tolerance of luminous intensity is  $\pm 15$ %