

Specifications

Insulation Resistance: 1,000MΩ min. at 500V DC
 Withstanding Voltage: 700V ACrms for 1 minute
 Contact Resistance: 30mΩ max. at 10mA
 Current Rating: 1A
 Operating Temp. Range: -20°C to +105°C

Materials and Finish

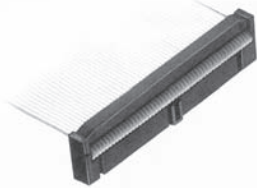
Housing: PBT, glass filled UL 94V-0 rated
 Contacts: Phosphor Bronze
 Plating: Contacts - Au over Ni
 IDC Terminals - Flash Au over Nickel

Features

- 2.54 mm contact pitch connectors for 50 MIL standard flat cables
- Variations include latch header plugs, box header plugs, and flat cable sockets

Jigs and Tools (For FAS / FAP Type)

- Hand press: FX-003
- Applicable jig: FA-005



Part Number (Details)

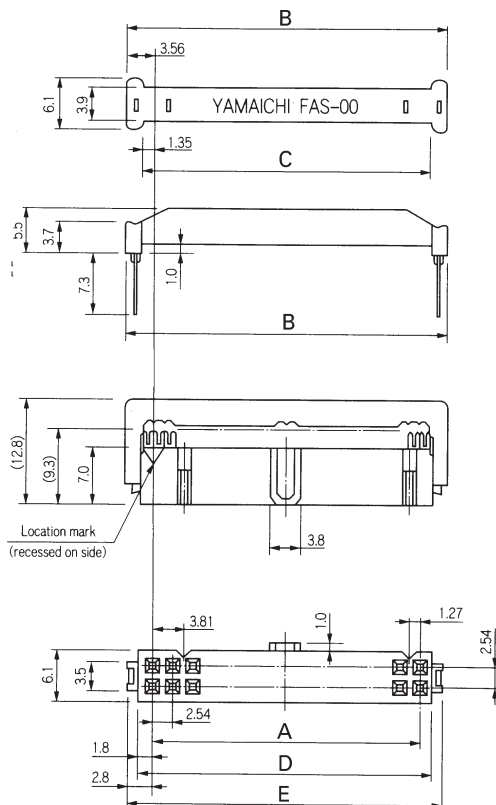
FAS - 3401 - 2 2 01 - * - 0 * F

Series (socket)	FAS
No. of Leads	3401
Housing Type:	2 = MIL std. key (with central key)
Pressure Cover Type:	1 = Open End 2 = Closed End
Strain Relief	
Housing Colour:	1 = Black 2 = Blue (Standard)
0 = Mating Cables (1.27 pitch):	AWG 28 Stranded Wire or AWG 30 Solid Wire
Contact Plating:	A = Gold (0.76µm over Ni 2.5~4.5µm) B = Gold (0.3µm over Ni 2.5~4.5µm)
IDC Terminal Plating:	F = Flash Au over Ni

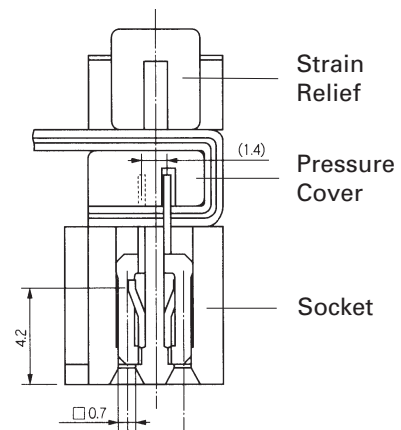
Applicable Cables

AWG 28 stranded wire, 1.27mm pitch
 AWG 30 solid wire, 1.27mm pitch
 (e.g. DK**-*, FLEX-S*, TPFLEX-N*, FS-FLEX-B*, see Section F)

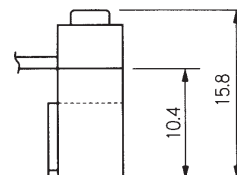
Outline Dimensions



Contact Details



Cable Connection



Series FAS
MIL Std. IDC Type Socket, (2.54mm Pitch)

Part Numbers

Standard types see table.
For other versions please contact Yamaichi, minimum order quantity may be required

Part Number	No. of Leads	A	B	C	D	E
FAS-1001-2101-2-0AF	10	10.16	17.28	12.86	13.76	15.76
FAS-1001-2101-2-0BF	10	10.16	17.28	12.86	13.76	15.76
FAS-1401-2101-2-0AF	14	16.16	22.28	17.86	18.72	20.56
FAS-1401-2101-2-0BF	14	16.16	22.28	17.86	18.72	20.56
FAS-1601-2101-2-0AF	16	17.78	24.90	20.48	21.38	23.38
FAS-1601-2101-2-0BF	16	17.78	24.90	20.48	21.38	23.38
FAS-1601-2101-2-0BF	16	17.78	24.90	20.48	21.38	23.38
FAS-2001-2101-2-0AF	20	22.86	29.98	25.56	26.46	28.46
FAS-2001-2101-2-0BF	20	22.86	29.98	25.56	26.46	28.46
FAS-2001-2201-2-0AF	20	22.86	29.98	25.56	26.46	28.46
FAS-2601-2101-1-0BF	26	30.48	37.60	33.18	34.08	36.08
FAS-2601-2101-2-0AF	26	30.48	37.60	33.18	34.08	36.08
FAS-2601-2101-2-0BF	26	30.48	37.60	33.18	34.08	36.08
FAS-2601-2201-2-0AF	26	30.48	37.60	33.18	34.08	36.08
FAS-3001-2101-2-0BF	30	35.56	42.68	38.26	39.16	41.16
FAS-3401-2101-1-0BF	34	40.64	47.76	43.34	44.24	46.24
FAS-3401-2101-2-0AF	34	40.64	47.76	43.34	44.24	46.24
FAS-3401-2101-2-0BF	34	40.64	47.76	43.34	44.24	46.24
FAS-4001-2101-1-0BF	40	48.26	55.38	50.96	51.86	53.86
FAS-4001-2101-2-0AF	40	48.26	55.38	50.96	51.86	53.86
FAS-4001-2101-2-0BF	40	48.26	55.38	50.96	51.86	53.86
FAS-4001-2201-2-0AF	40	48.26	55.38	50.96	51.86	53.86
FAS-5001-2101-2-0AF	50	60.96	68.08	63.66	64.56	66.56
FAS-5001-2101-2-0BF	50	60.96	68.08	63.66	64.56	66.56
FAS-6001-2101-2-0AF	60	73.66	80.78	76.36	77.26	79.26
FAS-6401-2101-1-0BF	64	78.74	85.86	81.44	82.34	84.34
FAS-6401-2101-2-0AF	64	78.74	85.86	81.44	82.34	84.34
FAS-6401-2101-2-0BF	64	78.74	85.86	81.44	82.34	84.34

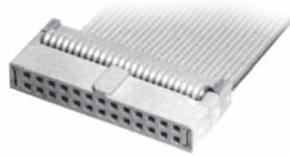
2.54mm Board-to-Cable Connectors

Specifications

Insulation Resistance: 1,000M Ω min. at 500V DC
 Withstanding Voltage: 700V ACrms for 1 minute
 Contact Resistance: 30m Ω max. at 10mA
 Current Rating: 1A
 Operating Temp. Range: -20°C to +105°C

Materials and Finish

Housing: PBT, glass filled UL 94V-0 rated
 Contacts: Copper Alloy
 Plating: Contacts - Au 0.3 μ m over Ni
 IDC Terminals - Flash Au over Ni



Part Number (Details)

FAS - 34 - 17

Series (socket)
 No. of Leads
 Center Key

Features

- 2.54mm contact pitch sockets for flat cables with cable-end strain relief
- Variations include latch header plugs (for PC-board connection and IDC) and IDC sockets
- Two-point contact of the flat cable sockets ensures high reliability

Applicable Cables

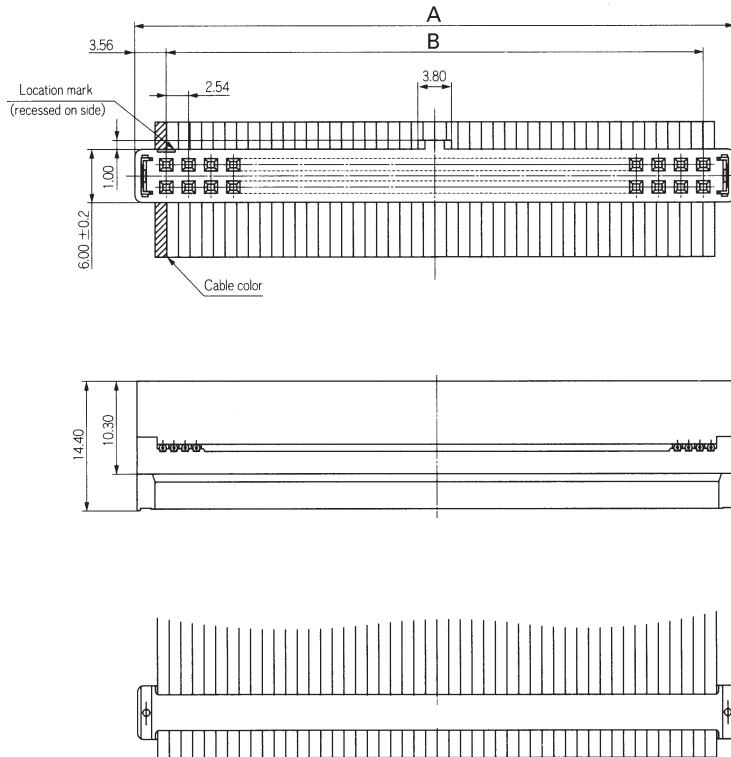
AWG 28 stranded wire, 1.27mm pitch
 AWG 30 solid wire, 1.27mm pitch
 (e.g. DK**.*, FLEX-S*, TPFLEX-N*, FS-FLEX-B*, see Section F)

Jigs and Tools

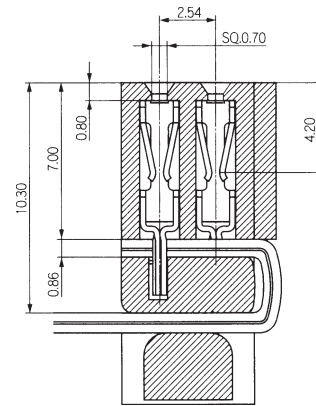
- Hand press: FX-003
- Applicable jig: FA-005



Outline Dimensions



Contact Details



Standard types see table.

For other versions from 10 to 64 leads please contact Yamaichi, minimum order quantity may be required

Part Number	No. of Leads	A	B	Part Number	No. of Leads	A	B
FAS-16-17	16	24.90	17.78	FAS-26-17	26	37.60	30.48
FAS-20-17	20	29.98	22.86	FAS-34-17	34	47.76	40.64