

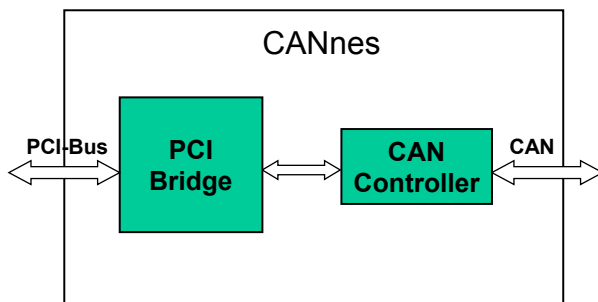
CANnes

CAN interface
PCI Card

INFO The CANnes card is a PCI card which provides a simple, easy to use CAN interface. It is equipped with a male and a female 9 pin Sub-D connector with standard CAN pin assignments. CAN bit rates between 10 and 1000 kBit/s (1MBit/s) are possible. The industry standard CAN controller SJA1000 is used together with the CAN bus driver 82C250 and optical isolation between the CAN controller and the CAN bus driver. A 120 ohms termination resistor is also provided. This resistor can be switched on and off either by a software controlled relay. Device drivers and function libraries are provided for the Windows (98/ME/2000 and NT4) operating systems and also for the Linux operating system. The CANnes cards is CE-approved and also meets FCC specifications. It can be used with every PC which is equipped with PCI slots fulfilling at least the PCI 2.1 standard.

MAIN CHARACTERISTICS

- FEATURES**
 - supports CAN V2.0a and V2.0b (11 bit and 29 bit identifiers)
 - CAN bit rates of up to 1Mbit/s
 - 120 ohms termination resistor that can be switched on or off by software
- SOFTWARE**
 - simple CAN monitoring software supplied with this product
 - easy programming and integration into user applications via simple DLL functions
- OTHER**
 - RoHS compliant



ORDER CODE	DESCRIPTION
TMC CANnes	CAN interface PCI-card