



# TAI-SAW TECHNOLOGY CO., LTD.

No. 3, Industrial 2nd Rd., Ping-Chen Industrial District,  
Taoyuan, 324, Taiwan, R.O.C.

TEL: 886-3-4690038 FAX: 886-3-4697532

E-mail: [tstsales@mail.taisaw.com](mailto:tstsales@mail.taisaw.com) Web: [www.taisaw.com](http://www.taisaw.com)

## Approval Sheet For Product Specification

Issued Date:

Product Name: SAW Filter 1228MHz SMD 3.0×3.0mm

TST Parts No.:TA0490A

Customer Parts No.:\_\_\_\_\_

Company: _____
Division: _____
Approved by : _____
Date: _____

Checked by: \_\_\_\_\_ Elvis Chiu

Approval by: \_\_\_\_\_ Francis Chen

Date: \_\_\_\_\_ 2005/08/04



# TAI-SAW TECHNOLOGY CO., LTD.

No. 3, Industrial 2nd Rd., Ping-Chen Industrial District,  
Taoyuan, 324, Taiwan, R.O.C.

TEL: 886-3-4690038 FAX: 886-3-4697532

E-mail: [tstsales@mail.taisaw.com](mailto:tstsales@mail.taisaw.com) Web: [www.taisaw.com](http://www.taisaw.com)

## SAW Filter 1228 MHz

MODEL NO.: TA0490A

REV. NO.:1

### A. MAXIMUM RATING:

1. Input Power Level: 5 dB<sub>m</sub>
2. DC voltage: 3 V
3. Operating Temperature: -40°C to 85°C
4. Storage Temperature: -40°C to +85°C

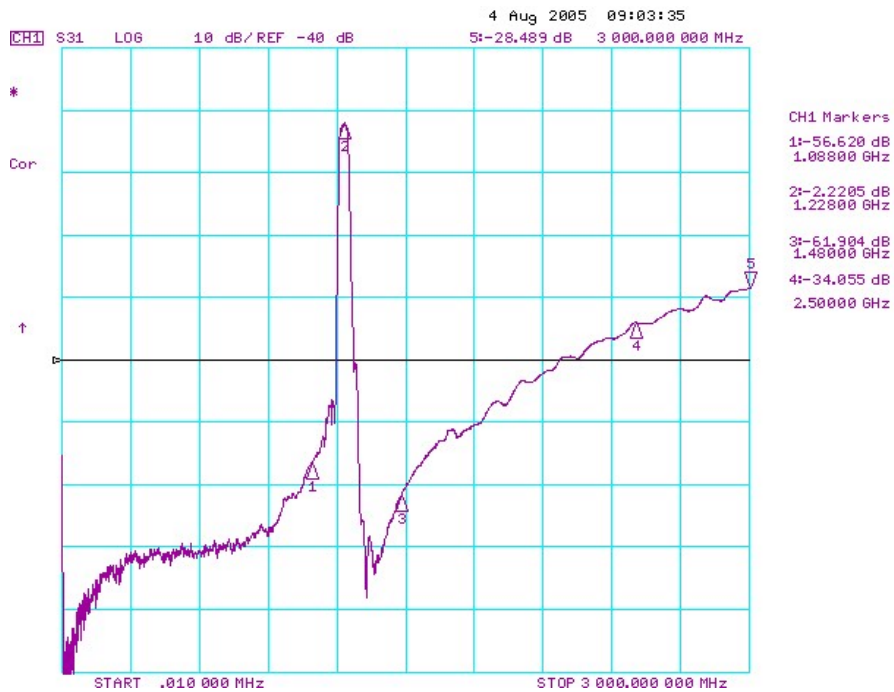
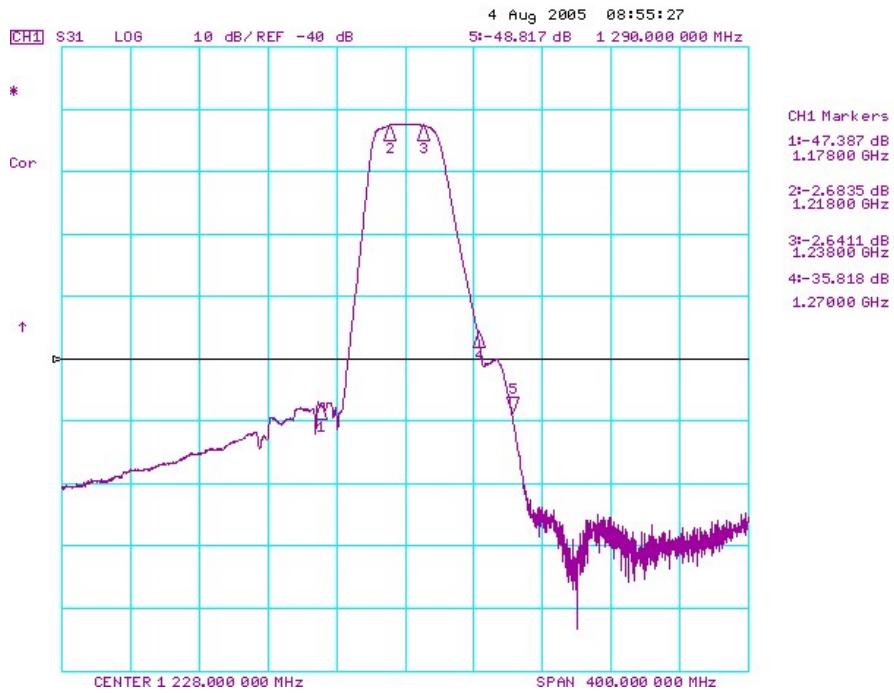
RoHS Compliant  
Lead free  
Lead-free soldering

### B. CHARACTERISTICS:

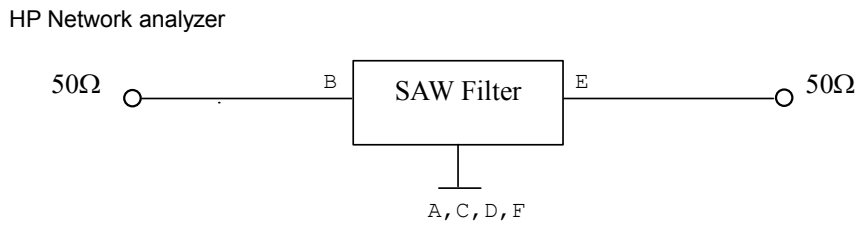
Item	Unit	Min.	Typ.	Max.	
Center Frequency	MHz	-	1228	-	
Insertion Loss 1218 ~ 1238 MHz	dB	-	2.7	3.9	
Ripple 1218 ~ 1238 MHz	dB	-	0.4	1.8	
Absolute Attenuation					
0 ~ 1088	MHz	dB	38	53	-
1088 ~ 1178	MHz	dB	32	46	-
1178 ~ 1188	MHz	dB	20	45	-
1270 ~ 1290	MHz	dB	15	35	-
1290 ~ 1378	MHz	dB	30	49	-
1378 ~ 1480	MHz	dB	35	55	-
1480 ~ 2500	MHz	dB	27	34	-
2500 ~ 3000	MHz	dB	18	28	-
Source Impedance	Ω	-	50	-	
Load Impedance	Ω	-	50	-	

Note1. No matching network required for operation at 50Ω

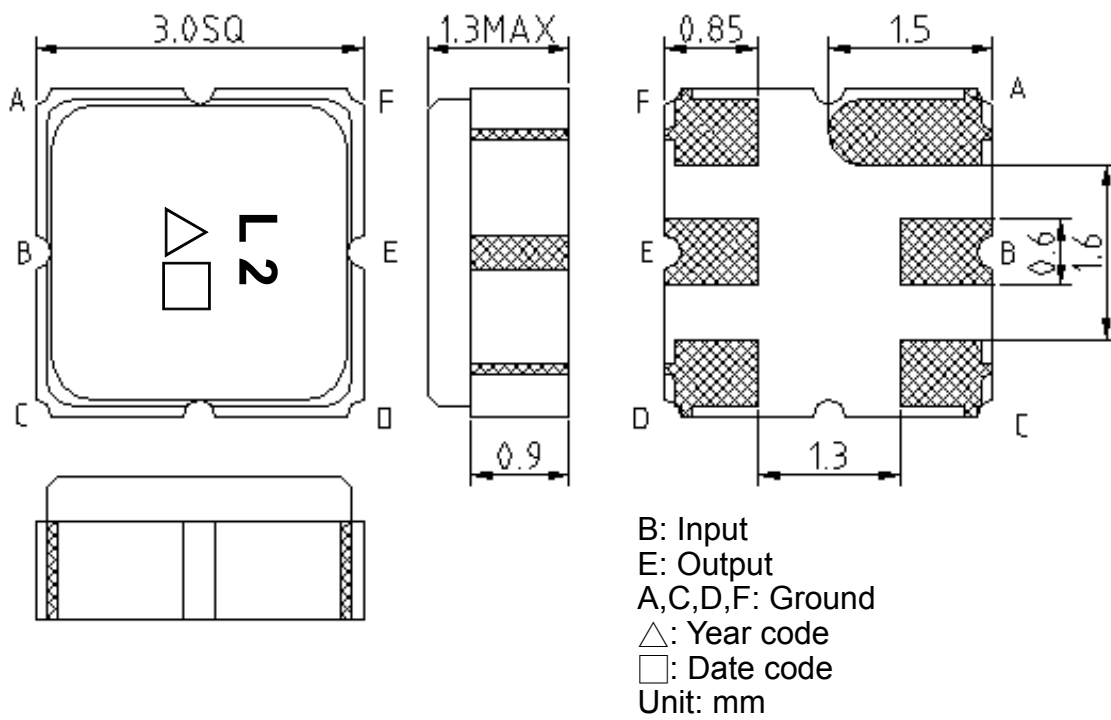
### C. Transfer Function :



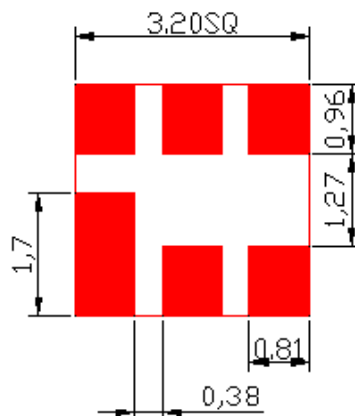
### D. MEASUREMENT CIRCUIT:



### E. OUTLINE DRAWING:

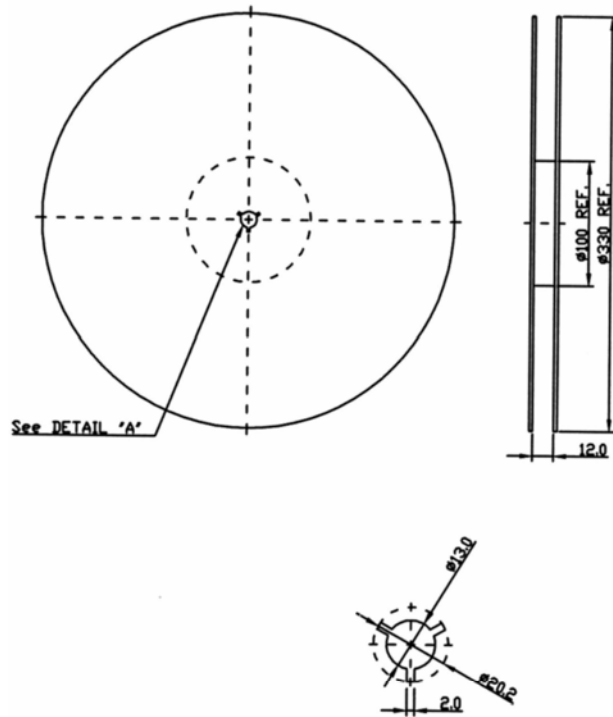


### F. PCB FOOTPRINT:



## G. PACKING:

### 1. REEL DIMENSION



### 2. TAPE DIMENSION

