

## PIC-SM11711 Spoke Mountable Magnet

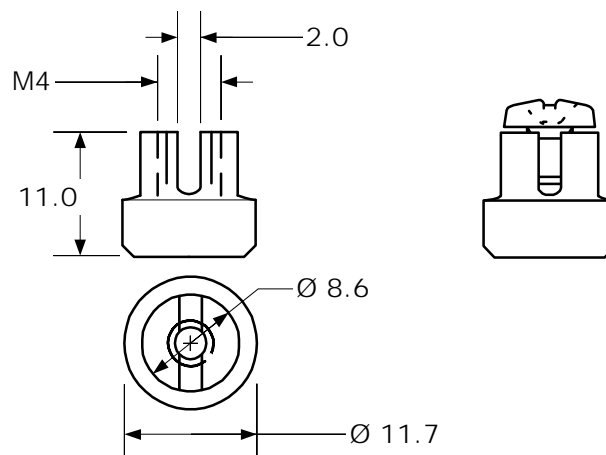
### Data

<b>Housing Material</b>	brass, Ni-coated	
<b>Orientation</b>	axially	
<b>Remanence Br</b>	mT	390
<b>Coercivity HcB</b>	kA/m	229
<b>Coercivity HcJ</b>	kA/m	231
<b>Energy Product (BH) max.</b>	kJ/m <sup>3</sup>	29
<b>Magnetic Moment M</b>	x10 <sup>-5</sup> Vs cm	1.24
<b>Operating Temperature max.</b>	°C	150
<b>Temperature Coefficient Tk(Br)</b>	%/°C	-0.18

Nominal values unless otherwise specified

### Dimensions

in mm



incl. screw

**Customized types, other magnet materials and high temperature grades available.**