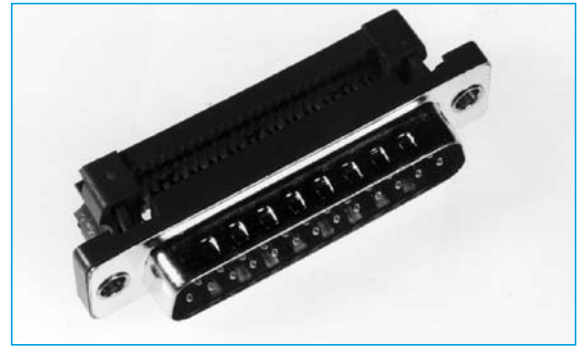


D TYPE CONNECTORS LOW COST

- 9, 15, 25, or 37 way
- Selective Gold Plated Contacts
- Metal or Plastic Housing
- Current Rating - 5Amps
- Complete with Strain Relief
- Through Hole or Threaded Insert (4 - 40 UNC)
- Low cost

D CONNECTORS - IDC



SPECIFICATION

Material:

Insulator: PBT +30% Glass Fibre
UL94V-0

Pin contacts: Phosphor Bronze
Gold Plated

Shell: Steel, SPCC
Nickel and Tin Plated

Electrical Data:

Rated Voltage: 350V AC

Rated Current: 5A

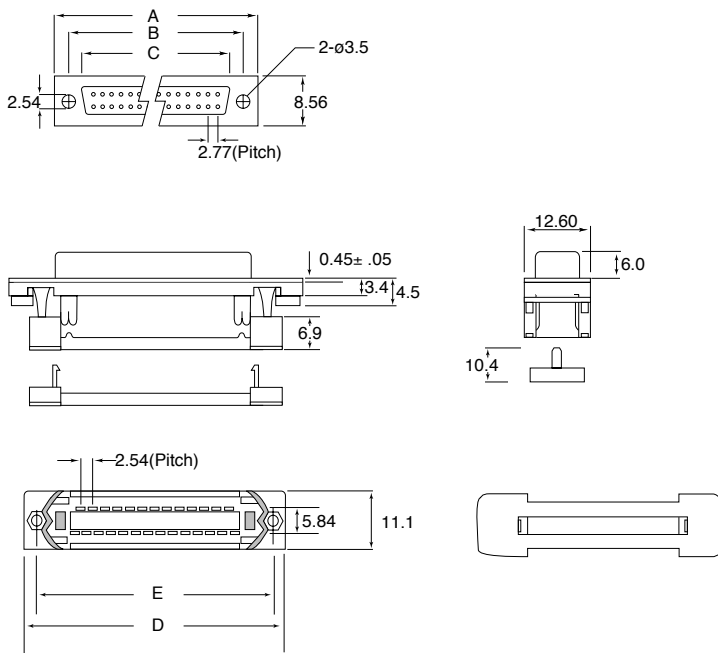
Withstand Voltage: 500V AC(rms)

Insulation Resistance: Over 1000 MΩ

Contact Resistance: 5 MΩ at 1A

Temperature: -20°C to 100°C

OUTLINE DRAWING



	A	B	C	D	E
9 WAY	30.81	25.00	16.30	22.50	12.16
15 WAY	39.14	33.32	24.60	30.80	19.80
25 WAY	53.04	47.04	38.30	44.50	32.50
37 WAY	69.32	63.50	54.80	61.20	47.70

Dimension - mm (Male)

	A	B	C	D	E
9 WAY	30.81	25.00	16.92	22.50	12.16
15 WAY	39.14	33.32	25.25	30.80	19.80
25 WAY	53.04	47.04	38.96	44.50	32.50
37 WAY	69.32	63.50	55.42	61.20	47.70

Dimension - mm (Female)

ORDERING INFORMATION

DBC	IDCD	M	09	S	A	1	P
Dubilier Connectors	Series IDCD	Contact Type M = Male(plug) F = Female(socket)	Nº of Ways 09 = 9 ways 15 = 15 ways 25 = 25 ways 37 = 37 ways	Contact plating S = Selective Gold Plating	Mounting Style A = Through Hole B = Threaded Insert 4-4UNC	Colour 1 = Black 2 = Grey	Colour P = Plastic Blank = Metal