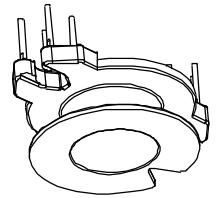
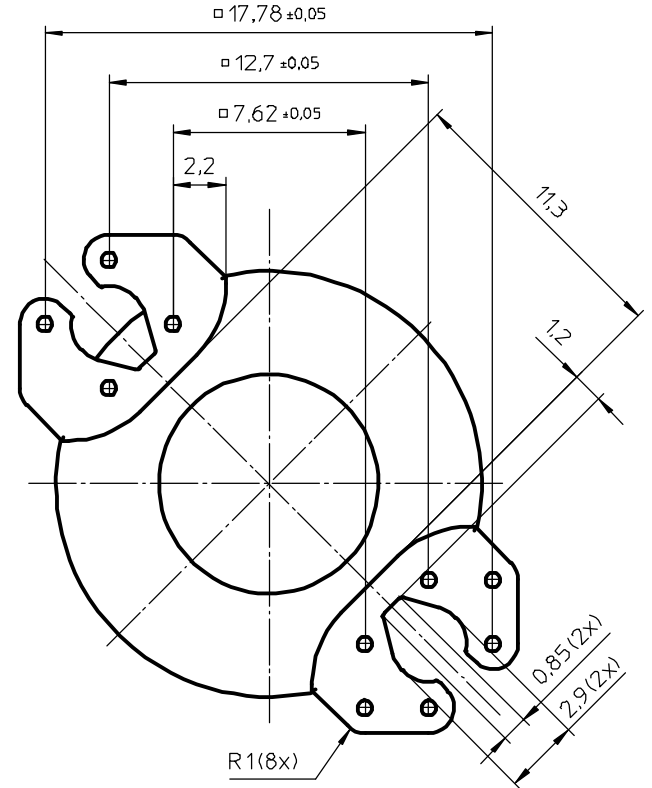
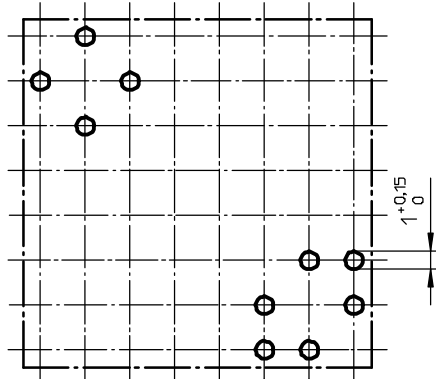


Pull-out force:  
min. 9N per pin.



HOLE PATTERN:



Coil former material: Sumikon PM9630 (PF), glass-reinforced.  
UL file number: E41429 - UL94V-0.

Pin material: Copper-clad steel, Sn plated.

Max. operating temp.: acc. to IEC 60085 class F, 155°C.

Resistance to soldering heat: acc. to IEC 60068-2-20 Part 2, Test Tb, method 1B, 350°C - 3.5s.

Solderability: acc. to IEC 60068-2-20 Part 2, Test Ta, method 1, 235°C - 2s.

Min. winding area: 13,3 mm<sup>2</sup>

Mean length of turn: 41,8 mm.

CLASS NO.		03-02-20	
CSV-RM8/LP-1S-10P-Z		4322 021 06101	
NAME: M. Veekens	SUPPERS: 1	SP: 112	001
MPA	CHECK: 069	DATE: 03-02-20	Property of: Elgeman van
		© FERROXCUBE 2000	