

# O/E/N 26

## MINIATURE HIGH POWER RELAY

Sensitive Version  
 Low Height  
 Direct PCB type  
 Dust Protected / Sealed

### SPECIFICATIONS

Contact Arrangement	1C,2C,1CK
Contact Material	: AgNi
Contact Rating	
1 Form C	: 10 A
2 Form C	: 8 A
1 Form C K-tpe	: 16 A
Rated Voltage	: 230VAC / 24VDC
Max. Switching Voltage	: 440VAC / 125VDC
Max. Switching Current	: 10 A (1C), 5 A (2C) : 16 A (1CK)
Contact Resistance Initial	: 100 m Ohms
Nominal Coil Power	: 0.4 W
Operating Power	: 0.2 W
Life Expectancy	
Mechanical	: $1 \times 10^7$ operations
Electrical	: $1 \times 10^5$ operations
Dielectric Strength	
Between coil and contacts	: 5000VAC
Between Open contacts	: 1000VAC
Insulation Resistance	: 1000Meg.Ohms @ 500 VDC, 25°C, RH 50
Operate time at nom. Volt	: 15 milli sec max
Release time at nom. Volt	: 8 milli sec max
Ambient Temperature	: -40°C to + 85° C
Weight	: 14 g

#### Typical Applications

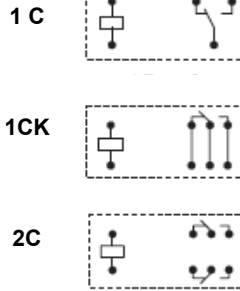
Industrial Electronics, UPS, Office Automation,  
 Home Appliances

All dimensions are in mm. Specifications subject to  
 change without notice.

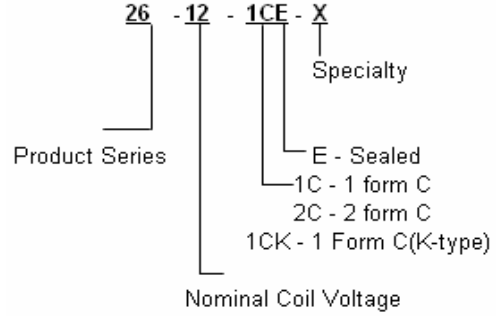
### COIL DATA

Nominal Voltage (VDC)	Pick-up Voltage (VDC)	Coil Resistance Ohms $\pm$ 10%
6	4.2	90
12	8.4	360
24	16.8	1440
110	77	25200

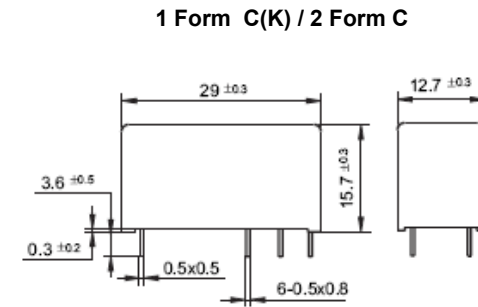
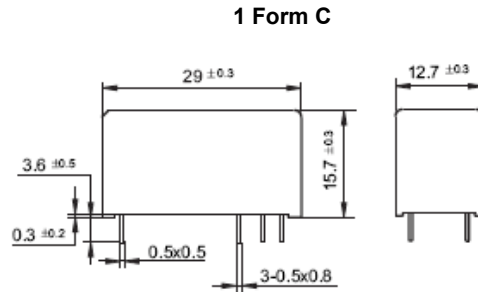
### CIRCUIT DIAGRAMS



### HOW TO ORDER



### DIMENSIONS



### DRILLING PATTERN

