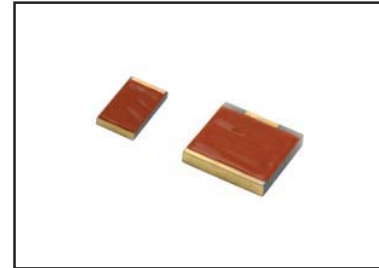


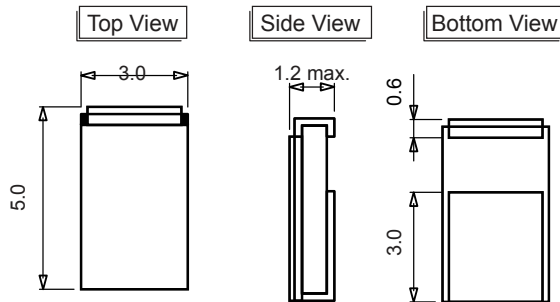
Applicable to MIL-R-11804E



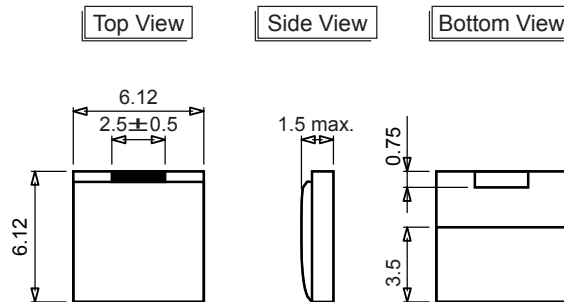
Dimensions

Unit : mm

TCD-3010



TCD-3020

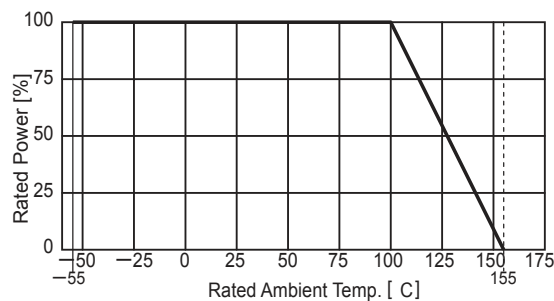


Tolerance : ±0.2

Rating

Requirements	TCD-3010B50	TCD-3020C50
Frequency Range	DC ~ 2.5 GHz	DC ~ 2.3 GHz
VSWR	1.2 max.	1.2 max.
Impedance	50 Ω	50 Ω
Resistance Tolerance	±2 %, ±5 %	±2 %, ±5 %
T.C.R.	±200 ppm/ C	±200 ppm/ C
Rated Power	10 W	20 W
Working Temp. Range	-45 C ~ 150 C	-55 C ~ 155 C

Derating Curve



Materials

Part Name	Materials
Coating	Silicone
Resistance	Thin Film Tantalum Alloy
Electrode	Ni / Au Flash
Substrate	Aluminum Nitride

How to Code

TCD	—	3	010	B	50	G	—	G	—	TR
Style		No.	Rated Power	Electrode Structure	Resistance	Resistance Tolerance		Made with RoHS		Packaging
			010 10W 020 20W	B 3010 C 3020	50 50Ω	G ±2% J ±5%				- Bulk TR Tape Reel